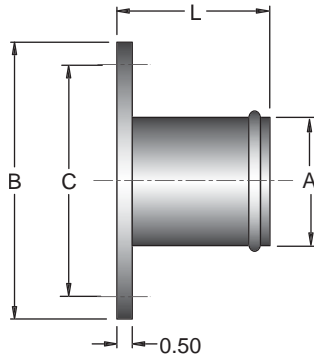


RADIATOR ADAPTERS

915 - FLANGE X BEADED TUBE

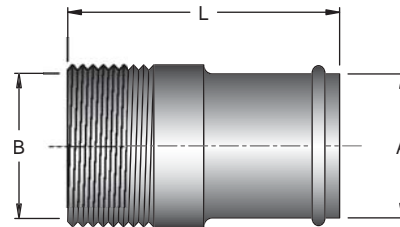
125/150# ANSI FIXED FLANGE ONE END
A 36 CARBON STEEL BEADED TUBE OTHER END



A O.D.	B	C	L	PART NUMBER CARBON STEEL
1-1/2"	5.00	3.88	4.00	915-0150
1-3/4"	5.00	3.88	4.00	915-0175
1-7/8"	5.00	3.88	4.00	915-0188
2"	6.00	4.75	4.00	915-0200
2-1/4"	6.00	4.75	4.00	915-0225
2-3/8"	6.00	4.75	4.00	915-0238
2-1/2"	7.00	5.50	4.00	915-0250
2-7/8"	7.00	5.50	4.00	915-0288
3"	7.50	6.00	4.00	915-0300
3-1/2"	7.50	6.00	4.00	915-0350
4"	9.00	7.50	4.00	915-0400
4-1/2"	9.00	7.50	4.00	915-0450
5"	10.00	8.50	4.00	915-0500
5-9/16"	10.00	8.50	4.00	915-0556
6"	11.00	9.50	4.00	915-0600
6-5/8"	11.00	9.50	4.00	915-0663

916 - BEADED TUBE X MALE NPT

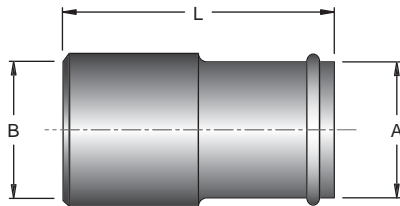
A 36 CARBON STEEL BEADED TUBE ONE END
CARBON STEEL MALE NPT OTHER END



TUBE SIZE A	NPT SIZE B	L	PART NUMBER CARBON STEEL
1-1/2"	1-1/2"	6.00	916-0150
1-3/4"	1-1/2"	6.00	916-0175
1-7/8"	1-1/2"	6.00	916-0188
2"	2"	6.50	916-0200
2-1/4"	2"	6.50	916-0225
2-3/8"	2"	6.50	916-0238
2-1/2"	2-1/2"	7.00	916-0250
2-7/8"	2-1/2"	7.00	916-0288
3"	3"	7.00	916-0300
3-1/2"	3"	7.00	916-0350
4"	4"	8.00	916-0400
4-1/2"	4"	8.00	916-0450
5"	5"	8.00	916-0500
5-9/16"	5"	8.00	916-0556
6"	6"	8.00	916-0600
6-5/8"	6"	8.00	916-0663

917 - BEADED TUBE X WELD END

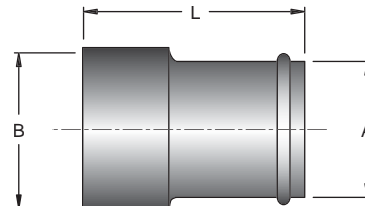
A 36 CARBON STEEL BEADED TUBE ONE END
CARBON STEEL BEVELED SHED. 40 PIPE OTHER END.



TUBE SIZE A	PIPE SIZE B	L	PART NUMBER CARBON STEEL
1-1/2"	1-1/2"	6.00	917-0150
1-3/4"	1-1/2"	6.00	917-0175
1-7/8"	1-1/2"	6.00	917-0188
2"	2"	6.50	917-0200
2-1/4"	2"	6.50	917-0225
2-3/8"	2"	6.50	917-0238
2-1/2"	2-1/2"	7.00	917-0250
2-7/8"	2-1/2"	7.00	917-0288
3"	3"	7.00	917-0300
3-1/2"	3"	7.00	917-0350
4"	4"	8.00	917-0400
4-1/2"	4"	8.00	917-0450
5"	5"	8.00	917-0500
5-9/16"	5"	8.00	917-0556
6"	6"	8.00	917-0600
6-5/8"	6"	8.00	917-0663

918 - BEADED TUBE X FEMALE NPT

A 36 CARBON STEEL BEADED TUBE ONE END
CARBON STEEL FEMALE NPT OTHER END



TUBE SIZE A	PIPE SIZE B	L	PART NUMBER CARBON STEEL
1-1/2"	1-1/2"	5.00	918-0150
1-3/4"	1-1/2"	5.00	918-0175
1-7/8"	1-1/2"	5.00	918-0188
2"	2"	5.00	918-0200
2-1/4"	2"	5.00	918-0225
2-3/8"	2"	5.00	918-0238
2-1/2"	2-1/2"	5.50	918-0250
2-7/8"	2-1/2"	5.50	918-0288
3"	3"	5.75	918-0300
3-1/2"	3"	5.75	918-0350
4"	4"	6.00	918-0400
4-1/2"	4"	6.00	918-0450
5"	5"	6.00	918-0500
5-9/16"	5"	6.00	918-0556
6"	6"	6.00	918-0600
6-5/8"	6"	6.00	918-0663