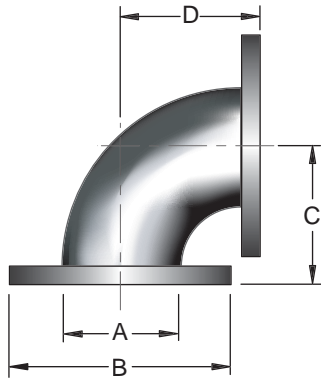


TYPE 919 - FLANGED ELBOW EACH ENDS

90 DEGREE SHORT RADIUS ELBOW WITH 150# DRILLED ANSI FIXED FLANGES

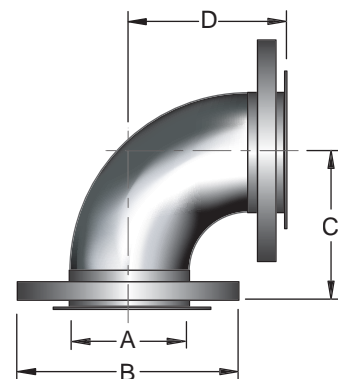


SHORT RADIUS

SIZE	CARBON				T-304	
	A	B	C	D	STEEL	S/S
3"	7.50	3.25	5.50	919-0300	919-0300H	
3-1/2"	8.50	3.75	6.00	919-0350	919-0350H	
4"	9.00	4.25	6.50	919-0400	919-0400H	
5"	10.00	5.75	8.00	919-0500	919-0500H	
6"	11.00	6.25	6.25	919-0600	919-0600H	
8"	13.50	10.13	10.13	919-0800	919-0800H	
10"	16.00	11.25	11.25	919-1000	919-1000H	
12"	19.00	12.25	12.25	919-1200	919-1200H	
14"	21.00	14.25	14.25	N/A	919-1400H	
16"	23.50	16.25	16.25	N/A	919-1600H	
18"	25.00	18.25	18.25	N/A	919-1800H	
20"	27.50	20.25	20.25	N/A	919-2000H	
22"	29.50	22.25	22.25	N/A	919-2200H	
24"	32.00	24.25	24.25	N/A	919-2400H	

TYPE 921 - FLANGED ELBOW EACH ENDS

90 DEGREE SHORT RADIUS ELBOW WITH 150# DRILLED ANSI FLOATING FLANGES



SHORT RADIUS

SIZE	CARBON				T-304	
	A	B	C	D	STEEL	S/S
3"	7.50	5.00	5.00	921-0300	921-0300H	
3-1/2"	8.50	5.50	5.50	921-0350	921-0350H	
4"	9.00	6.00	6.00	921-0400	921-0400H	
5"	10.00	7.50	7.50	921-0500	921-0500H	
6"	11.00	8.00	8.00	921-0600	921-0600H	
8"	13.50	10.00	10.00	921-0800	921-0800H	
10"	16.00	13.00	13.00	921-1000	921-1000H	
12"	19.00	14.00	14.00	921-1200	921-1200H	
14"	21.00	16.00	16.00	N/A	921-1400H	
16"	23.50	18.00	18.00	N/A	921-1600H	
18"	25.00	20.00	20.00	N/A	921-1800H	
20"	27.50	22.00	22.00	N/A	921-2000H	
22"	29.50	24.00	24.00	N/A	921-2200H	
24"	32.00	26.00	26.00	N/A	921-2400H	

TYPE 920 - FLANGED ELBOW EACH ENDS

90 DEGREE LONG RADIUS ELBOW WITH 150# DRILLED ANSI FIXED FLANGES

LONG RADIUS

SIZE	CARBON				T-304	
	A	B	C	D	STEEL	S/S
3"	7.50	6.25	6.25	920-0300	920-0300H	
3-1/2"	8.50	7.25	7.25	920-0350	920-0350H	
4"	9.00	8.25	8.25	920-0400	920-0400H	
5"	10.00	10.25	10.25	920-0500	920-0500H	
6"	11.00	12.25	12.25	920-0600	920-0600H	
8"	13.50	12.25	12.25	N/A	920-0800H	
10"	16.00	15.25	15.25	N/A	920-1000H	
12"	19.00	18.25	18.25	N/A	920-1200H	
14"	21.00	21.25	21.25	N/A	920-1400H	
16"	23.50	24.25	24.25	N/A	920-1600H	
18"	25.00	27.25	27.25	N/A	920-1800H	
20"	27.50	30.25	30.25	N/A	920-2000H	
22"	29.50	33.25	33.25	N/A	920-2200H	
24"	32.00	36.25	36.25	N/A	920-2400H	

TYPE 922 - FLANGED ELBOW EACH ENDS

90 DEGREE LONG RADIUS ELBOW WITH 150# DRILLED ANSI FLOATING FLANGES

LONG RADIUS

SIZE	CARBON				T-304	
	A	B	C	D	STEEL	S/S
3"	7.50	8.00	8.00	922-0300	922-0300H	
3-1/2"	8.50	9.00	9.00	922-0350	922-0350H	
4"	9.00	10.00	10.00	922-0400	922-0400H	
5"	10.00	12.00	12.00	922-0500	922-0500H	
6"	11.00	14.00	14.00	922-0600	922-0600H	
8"	13.50	14.00	14.00	N/A	922-0800H	
10"	16.00	17.00	17.00	N/A	922-1000H	
12"	19.00	20.00	20.00	N/A	922-1200H	
14"	21.00	23.00	23.00	N/A	922-1400H	
16"	23.50	26.00	26.00	N/A	922-1600H	
18"	25.00	29.00	29.00	N/A	922-1800H	
20"	27.50	32.00	32.00	N/A	922-2000H	
22"	29.50	35.00	35.00	N/A	922-2200H	
24"	32.00	38.00	38.00	N/A	922-2400H	

- NOTES:**
- See Page 44 for Wall Thickness of Elbows.
 - Flanges are 1/2" Thick.
 - Caterpillar, Cummins, Detroit and Other Special Flanges are Also Available.