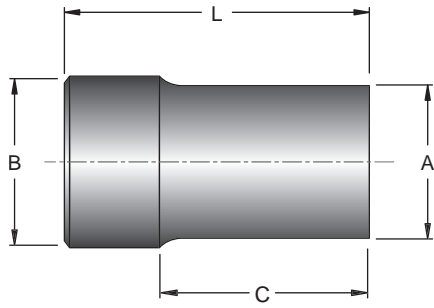


# ADAPTERS

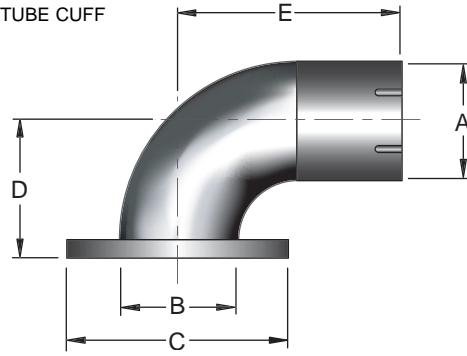
## 908 - PIPE WELD END X TUBE



A (O.D.)	B (O.D.)	C	L	C/S	T-304 S/S
3.00	3.50	4.00	6.00	908-0300-3P	908-0300-3HP
3.50	4.50	4.00	6.00	908-0350-4P	908-0350-4HP
4.00	4.50	4.00	6.00	908-0400-4P	908-0400-4HP
4.00	5.56	4.00	6.00	908-0400-5P	908-0400-5HP
5.00	5.56	4.00	6.00	908-0500-5P	908-0500-5HP
5.00	6.63	4.00	6.00	908-0500-6P	908-0500-6HP
6.00	6.63	4.00	6.00	908-0600-6P	908-0600-6HP
6.00	8.63	4.00	6.00	908-0600-8P	908-0600-8HP
8.00	8.63	4.00	6.00	908-0800-8P	908-0800-8HP
8.00	10.75	4.00	6.00	908-0800-10P	908-0800-10HP
10.00	10.75	4.00	6.00	908-1000-10P	908-1000-10HP
10.00	12.75	4.00	6.00	908-1000-12P	908-1000-12HP
12.00	12.75	4.00	6.00	908-1200-12P	908-1200-12HP
12.00	14.00	4.00	6.00	908-1200-14P	908-1200-14HP

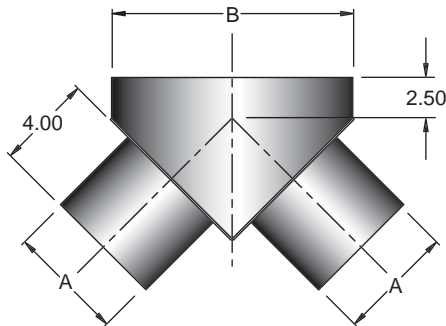
## 923 - FLANGED ELBOW X SLOTTED CUFF (TUBE)

125/150# ANSI FIXED FLANGE  
90 DEGREE TUBE ELBOW  
SLOTTED TUBE CUFF

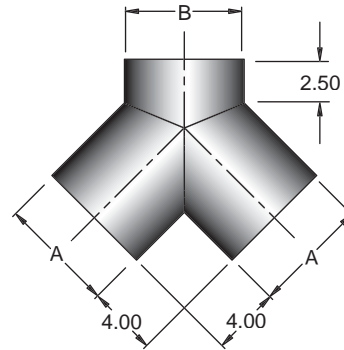


I.D.	FLG.						CARBON	
		A	B	C	D	E	STEEL	T-304 S/S
2.540"	2-1/2"	7.00	2.75	6.50	923-0250	923-0250H		
3.040"	3"	7.50	3.25	7.00	923-0300	923-0300H		
3.540"	3-1/2"	8.50	3.75	7.50	923-0350	923-0350H		
4.040"	4"	9.00	4.25	8.00	923-0400	923-0400H		
5.040"	5"	10.00	5.75	9.00	923-0500	923-0500H		
6.040"	6"	11.00	6.25	10.00	923-0600	923-0600H		
8.060"	8"	13.50	10.13	13.88	923-0800	923-0800H		
10.060"	10"	16.00	11.25	14.00	923-1000	923-1000H		
12.060"	12"	19.00	12.25	16.00	923-1200	923-1200H		

## 924 - WYE COLLECTOR



## 925 - TRUE WYE COLLECTOR



924 INLET TUBE O.D. "A"	OUTLET TUBE O.D. "B"								
	SIZE	PART NUMBER		SIZE	PART NUMBER		SIZE	PART NUMBER	
		CARBON STEEL	T-304 S/S		CARBON STEEL	T-304 S/S		CARBON STEEL	T-304 S/S
3	4	924-0300-4	924-0300-4H	5	924-0300-5	924-0300-5H	6	924-0300-6	924-0300-6H
3-1/2	5	924-0350-5	924-0350-5H	6	924-0350-6	924-0350-6H	8	924-0350-8	924-0350-8H
4	5	924-0400-5	924-0400-5H	6	924-0400-6	924-0400-6H	8	924-0400-8	924-0400-8H
5	6	924-0500-6	924-0500-6H	8	924-0500-8	924-0500-8H	10	924-0500-10	924-0500-10H
6	8	924-0600-8	924-0600-8H	10	924-0600-10	924-0600-10H	12	924-0600-12	924-0600-12H
8	10	924-0800-10	924-0800-10H	12	924-0800-12	924-0800-12H	14	924-0800-14	924-0800-14H
10	12	924-1000-12	924-1000-12H	14	924-1000-14	924-1000-14H	16	924-1000-16	924-1000-16H
12	14	924-1200-14	924-1200-14H	16	924-1200-16	924-1200-16H	18	924-1200-18	924-1200-18H

925 INLET TUBE O.D. "A"	"B"	PART NUMBER	
		C/S	T-304 S/S
3	3	925-0300	924-0300H
3-1/2	3-1/2	925-0350	924-0350H
4	4	925-0400	924-0400H
5	5	925-0500	924-0500H
6	6	925-0600	924-0600H
8	8	925-0800	924-0800H
10	10	925-1000	924-1000H
12	12	925-1200	924-1200H

