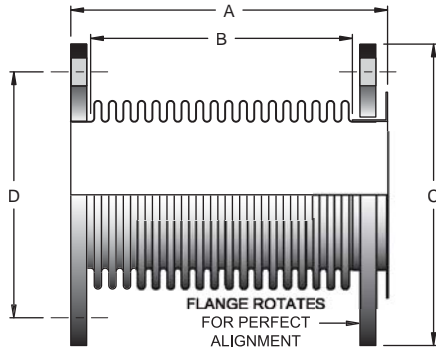


VIBRATION ISOLATORS

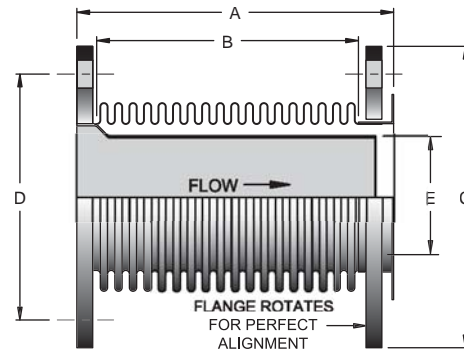
TYPE 13 - FIXED X FLOATING FLANGES (ANSI)

T-321 STAINLESS STEEL BELLOWS / FLEX
 125-150# ANSI FLANGE INLET, A-36 STEEL
 125-150# ANSI FLANGE OUTLET, A-36 STEEL



TYPE 13L - FIXED X FLOATING FLANGES (ANSI)

T-321 S/S BELLOWS / FLEX WITH INTERNAL FLOW LINER
 125-150# ANSI FLANGE INLET, A-36 STEEL
 125-150# ANSI FLANGE OUTLET, A-36 STEEL



TYPE 13 - MULTI-PLY BELLOWS

SIZE	A	B	C	D	HOLES	DIA	PART NO.
3"	12.00	9.00	7.50	6.00	4	0.75	13M0300-12
3-1/2"	12.00	9.00	8.50	7.00	8	0.75	13M0350-12
4"	12.00	9.00	9.00	7.50	8	0.75	13M0400-12
5"	12.00	9.00	10.00	8.50	8	0.88	13M0500-12
6"	12.00	9.00	11.00	9.50	8	0.88	13M0600-12
8"	12.00	9.00	13.50	11.75	8	0.88	13M0800-12
10"	12.00	9.00	16.00	14.25	12	1.00	13M1000-12
12"	12.00	9.00	19.00	17.00	12	1.00	13M1200-12
14"	12.00	9.00	21.00	18.75	12	1.13	13M1400-12
16"	12.00	9.00	23.50	21.25	16	1.13	13M1600-12
18"	12.00	9.00	25.50	22.75	16	1.25	13M1800-12
20"	12.00	9.00	27.50	25.00	20	1.25	13M2000-12
22"	12.00	9.00	29.50	27.25	20	1.38	13M2200-12
24"	12.00	9.00	32.00	29.50	20	1.38	13M2400-12

TYPE 13L - MULTI-PLY BELLOWS WITH LINER

SIZE	I.D.	A	B	C	D	E	PART NO.
3"	3.50	12.00	9.00	7.50	6.00	2.88	13M0300-12L
3-1/2"	4.00	12.00	9.00	8.50	7.00	3.38	13M0350-12L
4"	4.50	12.00	9.00	9.00	7.50	3.88	13M0400-12L
5"	5.56	12.00	9.00	10.00	8.50	4.75	13M0500-12L
6"	6.63	12.00	9.00	11.00	9.50	5.75	13M0600-12L
8"	8.63	12.00	9.00	13.50	11.75	7.75	13M0800-12L
10"	10.75	12.00	9.00	16.00	14.25	9.88	13M1000-12L
12"	12.75	12.00	9.00	19.00	17.00	11.88	13M1200-12L
14"	14.00	12.00	9.00	21.00	18.75	13.00	13M1400-12L
16"	16.00	12.00	9.00	23.50	21.25	15.00	13M1600-12L
18"	18.00	12.00	9.00	25.50	22.75	17.00	13M1800-12L
20"	20.00	12.00	9.00	27.50	25.00	19.00	13M2000-12L
22"	22.00	12.00	9.00	29.50	27.25	21.00	13M2200-12L
24"	24.00	12.00	9.00	32.00	29.50	23.00	13M2400-12L

TYPE 13 - SINGLE-PLY BELLOWS

SIZE	A	B	C	D	HOLES	DIA	PART NO.
3"	12.00	9.00	7.50	6.00	4	0.75	13S0300-12
3-1/2"	12.00	9.00	8.50	7.00	8	0.75	13S0350-12
4"	12.00	9.00	9.00	7.50	8	0.75	13S0400-12
5"	12.00	9.00	10.00	8.50	8	0.88	13S0500-12
6"	12.00	9.00	11.00	9.50	8	0.88	13S0600-12
8"	12.00	9.00	13.50	11.75	8	0.88	13S0800-12
10"	12.00	9.00	16.00	14.25	12	1.00	13S1000-12
12"	12.00	9.00	19.00	17.00	12	1.00	13S1200-12
14"	12.00	9.00	21.00	18.75	12	1.13	13S1400-12
16"	12.00	9.00	23.50	21.25	16	1.13	13S1600-12
18"	12.00	9.00	25.50	22.75	16	1.25	13S1800-12
20"	12.00	9.00	27.50	25.00	20	1.25	13S2000-12
22"	12.00	9.00	29.50	27.25	20	1.38	13S2200-12
24"	12.00	9.00	32.00	29.50	20	1.38	13S2400-12

TYPE 13L - SINGLE-PLY BELLOWS WITH LINER

SIZE	I.D.	A	B	C	D	E	PART NO.
3"	3.50	12.00	9.00	7.50	6.00	2.88	13S0300-12L
3-1/2"	4.00	12.00	9.00	8.50	7.00	3.38	13S0350-12L
4"	4.50	12.00	9.00	9.00	7.50	3.88	13S0400-12L
5"	5.56	12.00	9.00	10.00	8.50	4.75	13S0500-12L
6"	6.63	12.00	9.00	11.00	9.50	5.75	13S0600-12L
8"	8.63	12.00	9.00	13.50	11.75	7.75	13S0800-12L
10"	10.75	12.00	9.00	16.00	14.25	9.88	13S1000-12L
12"	12.75	12.00	9.00	19.00	17.00	11.88	13S1200-12L
14"	14.00	12.00	9.00	21.00	18.75	13.00	13S1400-12L
16"	16.00	12.00	9.00	23.50	21.25	15.00	13S1600-12L
18"	18.00	12.00	9.00	25.50	22.75	17.00	13S1800-12L
20"	20.00	12.00	9.00	27.50	25.00	19.00	13S2000-12L
22"	22.00	12.00	9.00	29.50	27.25	21.00	13S2200-12L
24"	24.00	12.00	9.00	32.00	29.50	23.00	13S2400-12L

TYPE 13 - FLEX HOSE

SIZE	A	B	C	D	HOLES	DIA	PART NO.
3"	20.00	17.00	7.50	6.00	4	0.75	13F0300-20
3-1/2"	20.00	17.00	8.50	7.00	8	0.75	13F0350-20
4"	20.00	17.00	9.00	7.50	8	0.75	13F0400-20
5"	20.00	17.00	10.00	8.50	8	0.88	13F0500-20
6"	20.00	17.00	11.00	9.50	8	0.88	13F0600-20
8"	20.00	17.00	13.50	11.75	8	0.88	13F0800-20
10"	20.00	17.00	16.00	14.25	12	1.00	13F1000-20
12"	20.00	17.00	19.00	17.00	12	1.00	13F1200-20
14"	20.00	17.00	21.00	18.75	12	1.13	13F1400-20
16"	20.00	17.00	23.50	21.25	16	1.13	13F1600-20
18"	20.00	17.00	25.50	22.75	16	1.25	13F1800-20

OPTIONS:

- Longer / Shorter Lengths
- Increasing / Reducing Flanges
- Special Drilled / Metric Flanges
- Cummins and Detroit Flanges
- T-304 Stainless Steel Flanges
- Inconel 625 Bellows

NOTES:

- T-321 Stainless Steel Vanstone (Standard).
- Standard Flow Liner Diameter "E" Limits Lateral Offset to 3/8" For Increased Offset "E" Must Be Reduced.
- Internal Flow Liners are Required if Flow Conditions are Equal or Greater Than the Following:
 - 6" and Under (Gas / Steam) - 4ft/sec/inch of Diameter.
 - 8" and Over (Gas / Steam) - 25ft/sec.

See pages 27-29 for bellows and flex hose specifications.