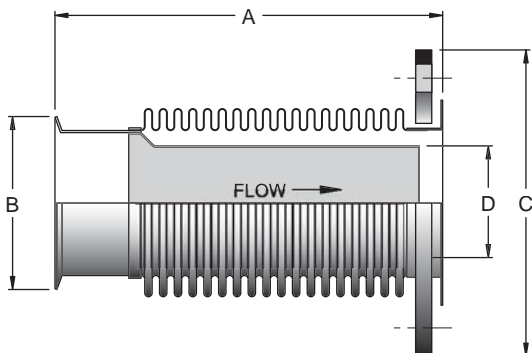


WAUKESHA FACTORY REPLACEMENT BELLOWS

TYPE 41LWX - FLOATING FLANGE X LIP FLANGE

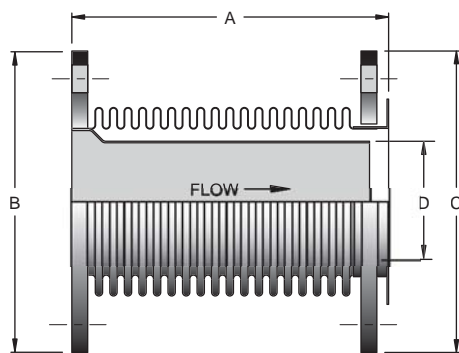
T-321 STAINLESS STEEL BELLOWS
 T-321 S/S WAUKESHA LIP FLANGE
 125-150# ANSI FLANGE OUTLET, A-36 STEEL
 T-321 S/S FLOW LINER



SIZE	A	B	C	D	MULTI-PLY	SINGLE-PLY
5"	8.00	6.13	10.00	4.38	41M0500-8LWX	41S0500-8LWX
6"	8.00	6.75	11.00	5.38	41M0600-8LWX	41S0600-8LWX
8"	8.00	9.00	13.50	7.38	41M0800-8LWX	41S0800-8LWX
12"	8.00	13.00	19.00	11.38	41M1200-8LWX	41S1200-8LWX
14"	8.00	15.13	21.00	13.38	41M1400-8LWX	41S1400-8LWX

TYPE 42LX - FIXED X FLOATING (ANSI)

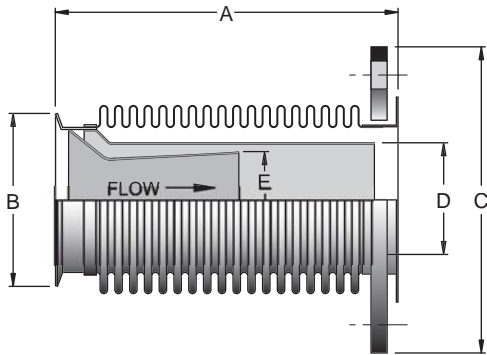
T-321 STAINLESS STEEL BELLOWS
 125-150# ANSI FLANGE INLET, A-36 STEEL
 125-150# ANSI FLANGE OUTLET, A-36 STEEL
 T-321 S/S FLOW LINER



SIZE	A	B	C	D	MULTI-PLY	SINGLE-PLY
5"	8.00	10.00	10.00	4.38	42M0500-8LX	42S0500-8LX
6"	8.00	11.00	11.00	5.38	42M0600-8LX	42S0600-8LX
8"	8.00	13.50	13.50	7.38	42M0800-8LX	42S0800-8LX
10"	8.00	16.50	16.00	9.38	42M1000-8LX	42S1000-8LX
12"	8.00	19.00	19.00	11.38	42M1200-8LX	42S1200-8LX
14"	8.00	21.00	21.00	13.38	42M1400-8LX	42S1400-8LX

TYPE 43LWX - FIXED FLANGE X LIP FLANGE

T-321 STAINLESS STEEL BELLOWS
 T-321 S/S WAUKESHA LIP FLANGE
 125-150# ANSI FLOATING FLANGE OUTLET, A-36 STEEL
 T-321 S/S FLOW LINER,
 T-321 S/S VENTURI



SIZE	A	B	C	D	E	MULTI-PLY	SINGLE-PLY
6"	7.62	6.75	11.00	5.38	4.50	43M0600-8LWX	43S0600-8LWX



"Type 43LWX Bellows with Venturi"

OPTIONS:

- Longer / Shorter Lengths
- Increasing / Reducing Flanges
- Special Drilled / Metric Flanges
- T-304 Stainless Steel Flanges
- Inconel 625 Bellows

NOTES:

- T-321 Stainless Steel Vanstone (Standard).
- For Optional "Venturi", Consult the Factory.
- Standard Flow Liner Diameter "D" Limits Lateral Offset to 3/8" For Increased Offset "D" Must Be Reduced.
- Internal Flow Liners are Required if Flow Conditions are Equal or Greater Than the Following:
 - 6" and Under (Gas / Steam) - 4ft/sec/inch of Diameter.
 - 8" and Over (Gas / Steam) - 25ft/sec.