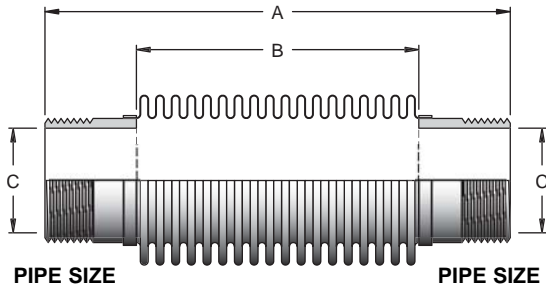


# VIBRATION ISOLATORS

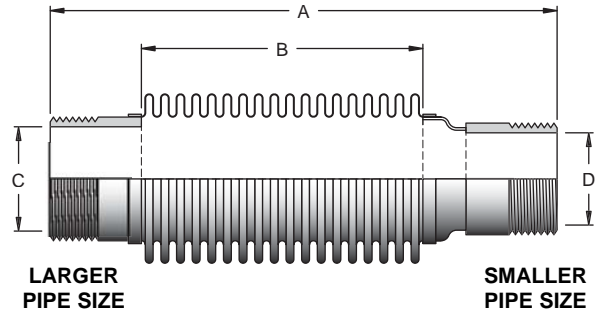
## TYPE 2 - MALE NPT X MALE NPT

T-321 STAINLESS STEEL BELLOWS / FLEX  
SCHED. 40 MALE NPT EACH END



## TYPE 17 - MALE NPT X REDUCING MALE NPT

T-321 STAINLESS STEEL BELLOWS / FLEX  
SCHED. 40 MALE NPT ONE END  
REDUCING MALE NPT OTHER END



## TYPE 2 - MULTI-PLY BELLOWS

SIZE	A	B	C	C/S NPT	S/S NPT
1"	10.00	6.00	1.00	2M0100-10	2M0100-10H
1-1/4"	10.00	6.00	1.25	2M0125-10	2M0125-10H
1-1/2"	10.00	6.00	1.50	2M0150-10	2M0150-10H
2"	11.00	6.00	2.00	2M0200-11	2M0200-11H
2-1/2"	12.00	6.00	2.50	2M0250-12	2M0250-12H
3"	15.00	9.00	3.00	2M0300-15	2M0300-15H
3-1/2"	17.00	9.00	3.50	2M0350-17	2M0350-17H
4"	17.00	9.00	4.00	2M0400-17	2M0400-17H
5"	17.00	9.00	5.00	2M0500-17	2M0500-17H
6"	17.00	9.00	6.00	2M0600-17	2M0600-17H
8"	17.00	9.00	8.00	2M0800-17	2M0800-17H

## TYPE 17 - MULTI-PLY BELLOWS

SIZE	A	B	C	D	C/S NPT	S/S NPT
1"	12.00	6.00	1.00	0.75	17M0100-12	17M0100-12H
1-1/4"	12.00	6.00	1.25	1.00	17M0125-12	17M0125-12H
1-1/2"	12.00	6.00	1.50	1.25	17M0150-12	17M0150-12H
2"	13.00	6.00	2.00	1.50	17M0200-13	17M0200-13H
2-1/2"	14.00	6.00	2.50	2.00	17M0250-14	17M0250-14H
3"	17.00	9.00	3.00	2.50	17M0300-17	17M0300-17H
3-1/2"	19.00	9.00	3.50	3.00	17M0350-19	17M0350-19H
4"	19.00	9.00	4.00	3.00	17M0400-19	17M0400-19H
5"	19.00	9.00	5.00	4.00	17M0500-19	17M0500-19H
6"	19.00	9.00	6.00	5.00	17M0600-19	17M0600-19H
8"	19.00	9.00	8.00	6.00	17M0800-19	17M0800-19H

## TYPE 2 - SINGLE-PLY BELLOWS

SIZE	A	B	C	C/S NPT	S/S NPT
1"	10.00	6.00	1.00	2S0100-10	2S0100-10H
1-1/4"	10.00	6.00	1.25	2S0125-10	2S0125-10H
1-1/2"	10.00	6.00	1.50	2S0150-10	2S0150-10H
2"	11.00	6.00	2.00	2S0200-11	2S0200-11H
2-1/2"	12.00	6.00	2.50	2S0250-12	2S0250-12H
3"	15.00	9.00	3.00	2S0300-15	2S0300-15H
3-1/2"	17.00	9.00	3.50	2S0350-17	2S0350-17H
4"	17.00	9.00	4.00	2S0400-17	2S0400-17H
5"	17.00	9.00	5.00	2S0500-17	2S0500-17H
6"	17.00	9.00	6.00	2S0600-17	2S0600-17H
8"	17.00	9.00	8.00	2S0800-17	2S0800-17H

## TYPE 17 - SINGLE-PLY BELLOWS

SIZE	A	B	C	D	C/S NPT	S/S NPT
1"	12.00	6.00	1.00	0.75	17S0100-12	17S0100-12H
1-1/4"	12.00	6.00	1.25	1.00	17S0125-12	17S0125-12H
1-1/2"	12.00	6.00	1.50	1.25	17S0150-12	17S0150-12H
2"	13.00	6.00	2.00	1.50	17S0200-13	17S0200-13H
2-1/2"	14.00	6.00	2.50	2.00	17S0250-14	17S0250-14H
3"	17.00	9.00	3.00	2.50	17S0300-17	17S0300-17H
3-1/2"	19.00	9.00	3.50	3.00	17S0350-19	17S0350-19H
4"	19.00	9.00	4.00	3.00	17S0400-19	17S0400-19H
5"	19.00	9.00	5.00	4.00	17S0500-19	17S0500-19H
6"	19.00	9.00	6.00	5.00	17S0600-19	17S0600-19H
8"	19.00	9.00	8.00	6.00	17S0800-19	17S0800-19H

## TYPE 2 - FLEX HOSE

SIZE	A	B	C	C/S NPT	S/S NPT
1"	16.00	12.00	1.00	2F0100-16	2F0100-16H
1-1/4"	16.00	12.00	1.25	2F0125-16	2F0125-16H
1-1/2"	16.00	12.00	1.50	2F0150-16	2F0150-16H
2"	17.00	12.00	2.00	2F0200-17	2F0200-17H
2-1/2"	18.00	12.00	2.50	2F0250-18	2F0250-18H
3"	23.00	17.00	3.00	2F0300-23	2F0300-23H
3-1/2"	25.00	17.00	3.50	2F0350-25	2F0350-25H
4"	25.00	17.00	4.00	2F0400-25	2F0400-25H
5"	25.00	17.00	5.00	2F0500-25	2F0500-25H
6"	25.00	17.00	6.00	2F0600-25	2F0600-25H
8"	25.00	17.00	8.00	2F0800-25	2F0800-25H

## TYPE 17 - FLEX HOSE

SIZE	A	B	C	D	C/S NPT	S/S NPT
1"	18.00	12.00	1.00	0.75	17F0100-18	17F0100-18H
1-1/4"	18.00	12.00	1.25	1.00	17F0125-18	17F0125-18H
1-1/2"	18.00	12.00	1.50	1.25	17F0150-18	17F0150-18H
2"	19.00	12.00	2.00	1.50	17F0200-19	17F0200-19H
2-1/2"	20.00	12.00	2.50	2.00	17F0250-20	17F0250-20H
3"	25.00	17.00	3.00	2.50	17F0300-25	17F0300-25H
3-1/2"	27.00	17.00	3.50	3.00	17F0350-27	17F0350-27H
4"	27.00	17.00	4.00	3.00	17F0400-27	17F0400-27H
5"	27.00	17.00	5.00	4.00	17F0500-27	17F0500-27H
6"	27.00	17.00	6.00	5.00	17F0600-27	17F0600-27H
8"	27.00	17.00	8.00	6.00	17F0800-27	17F0800-27H

### OPTIONS:

- Longer / Shorter Lengths
- T-321 Stainless Steel Flow Liners
- Inconel 625 Bellows

See pages 27-29 for bellows and flex hose specifications.

**NOTES:** Stainless Steel Fittings are T-304 Stainless Steel

# DME INCORPORATED