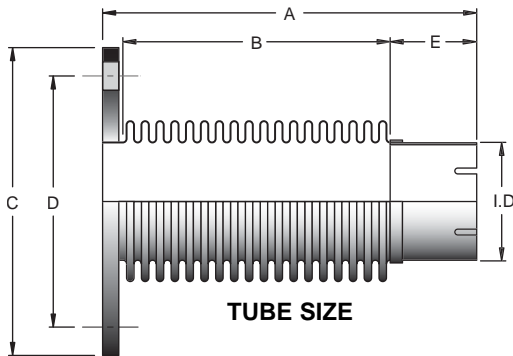


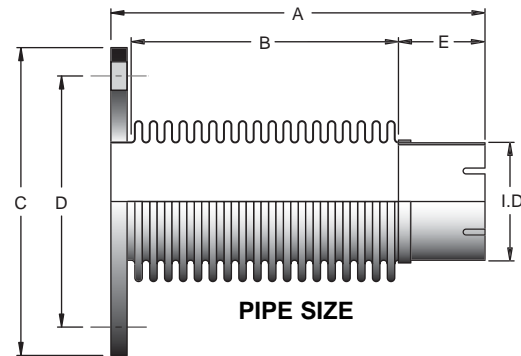
## TYPE 5T - FIXED FLANGE X SLOTTED CUFF

T-321 STAINLESS STEEL BELLOWS & FLEX  
125-150# ANSI FLANGE INLET, A-36 STEEL  
CARBON STEEL TUBE SIZE SLOTTED CUFF



## TYPE 5P - FIXED FLANGE X SLOTTED CUFF

T-321 STAINLESS STEEL BELLOWS & FLEX  
125-150# ANSI FLANGE INLET, A-36 STEEL  
CARBON STEEL PIPE SIZE SLOTTED CUFF



### TYPE 5T - MULTI-PLY BELLOWS

SIZE	A	B	C	D	E	I.D.	PART NO.
2"	10.50	6.00	6.00	4.75	4.00	2.04	5M0200-10.5T
2-1/2"	10.50	6.00	7.00	5.50	4.00	2.54	5M0250-10.5T
3"	13.50	9.00	7.50	6.00	4.00	3.04	5M0300-13.5T
3-1/2"	13.50	9.00	8.50	7.00	4.00	3.54	5M0350-13.5T
4"	13.50	9.00	9.00	7.50	4.00	4.04	5M0400-13.5T
5"	13.50	9.00	10.00	8.50	4.00	5.04	5M0500-13.5T
6"	13.50	9.00	11.00	9.50	4.00	6.04	5M0600-13.5T
8"	13.50	9.00	13.50	11.75	4.00	8.04	5M0800-13.5T
10"	13.50	9.00	16.00	14.25	4.00	10.04	5M1000-13.5T
12"	13.50	9.00	19.00	17.00	4.00	12.04	5M1200-13.5T

### TYPE 5P - MULTI-PLY BELLOWS

SIZE	A	B	C	D	E	I.D.	PART NO.
2"	10.50	6.00	6.00	4.75	4.00	2.42	5M0200-10.5P
2-1/2"	10.50	6.00	7.00	5.50	4.00	2.92	5M0250-10.5P
3"	13.50	9.00	7.50	6.00	4.00	3.54	5M0300-13.5P
3-1/2"	13.50	9.00	8.50	7.00	4.00	4.04	5M0350-13.5P
4"	13.50	9.00	9.00	7.50	4.00	4.54	5M0400-13.5P
5"	13.50	9.00	10.00	8.50	4.00	5.62	5M0500-13.5P
6"	13.50	9.00	11.00	9.50	4.00	6.67	5M0600-13.5P
8"	13.50	9.00	13.50	11.75	4.00	8.67	5M0800-13.5P
10"	13.50	9.00	16.00	14.25	4.00	10.79	5M1000-13.5P
12"	13.50	9.00	19.00	17.00	4.00	12.79	5M1200-13.5P

### TYPE 5T - SINGLE-PLY BELLOWS

SIZE	A	B	C	D	E	I.D.	PART NO.
2"	10.50	6.00	6.00	4.75	4.00	2.04	5S0200-10.5T
2-1/2"	10.50	6.00	7.00	5.50	4.00	2.54	5S0250-10.5T
3"	13.50	9.00	7.50	6.00	4.00	3.04	5S0300-13.5T
3-1/2"	13.50	9.00	8.50	7.00	4.00	3.54	5S0350-13.5T
4"	13.50	9.00	9.00	7.50	4.00	4.04	5S0400-13.5T
5"	13.50	9.00	10.00	8.50	4.00	5.04	5S0500-13.5T
6"	13.50	9.00	11.00	9.50	4.00	6.04	5S0600-13.5T
8"	13.50	9.00	13.50	11.75	4.00	8.04	5S0800-13.5T
10"	13.50	9.00	16.00	14.25	4.00	10.04	5S1000-13.5T
12"	13.50	9.00	19.00	17.00	4.00	12.04	5S1200-13.5T

### TYPE 5P - SINGLE-PLY BELLOWS

SIZE	A	B	C	D	E	I.D.	PART NO.
2"	10.50	6.00	6.00	4.75	4.00	2.42	5S0200-10.5P
2-1/2"	10.50	6.00	7.00	5.50	4.00	2.92	5S0250-10.5P
3"	13.50	9.00	7.50	6.00	4.00	3.54	5S0300-13.5P
3-1/2"	13.50	9.00	8.50	7.00	4.00	4.04	5S0350-13.5P
4"	13.50	9.00	9.00	7.50	4.00	4.54	5S0400-13.5P
5"	13.50	9.00	10.00	8.50	4.00	5.62	5S0500-13.5P
6"	13.50	9.00	11.00	9.50	4.00	6.67	5S0600-13.5P
8"	13.50	9.00	13.50	11.75	4.00	8.67	5S0800-13.5P
10"	13.50	9.00	16.00	14.25	4.00	10.79	5S1000-13.5P
12"	13.50	9.00	19.00	17.00	4.00	12.79	5S1200-13.5P

### TYPE 5T - FLEX HOSE

SIZE	A	B	C	D	E	I.D.	PART NO.
2"	16.50	12.00	6.00	4.75	4.00	2.04	5F0200-16.5T
2-1/2"	16.50	12.00	7.00	5.50	4.00	2.54	5F0250-16.5T
3"	21.50	17.00	7.50	6.00	4.00	3.04	5F0300-21.5T
3-1/2"	21.50	17.00	8.50	7.00	4.00	3.54	5F0350-21.5T
4"	21.50	17.00	9.00	7.50	4.00	4.04	5F0400-21.5T
5"	21.50	17.00	10.00	8.50	4.00	5.04	5F0500-21.5T
6"	21.50	17.00	11.00	9.50	4.00	6.04	5F0600-21.5T
8"	21.50	17.00	13.50	11.75	4.00	8.04	5F0800-21.5T
10"	21.50	17.00	16.00	14.25	4.00	10.04	5F1000-21.5T
12"	21.50	17.00	19.00	17.00	4.00	12.04	5F1200-21.5T

### TYPE 5P - FLEX HOSE

SIZE	A	B	C	D	E	I.D.	PART NO.
2"	16.50	12.00	6.00	4.75	4.00	2.42	5F0200-16.5P
2-1/2"	16.50	12.00	7.00	5.50	4.00	2.92	5F0250-16.5P
3"	21.50	17.00	7.50	6.00	4.00	3.54	5F0300-21.5P
3-1/2"	21.50	17.00	8.50	7.00	4.00	4.04	5F0350-21.5P
4"	21.50	17.00	9.00	7.50	4.00	4.54	5F0400-21.5P
5"	21.50	17.00	10.00	8.50	4.00	5.62	5F0500-21.5P
6"	21.50	17.00	11.00	9.50	4.00	6.67	5F0600-21.5P
8"	21.50	17.00	13.50	11.75	4.00	8.67	5F0800-21.5P
10"	21.50	17.00	16.00	14.25	4.00	10.79	5F1000-21.5P
12"	21.50	17.00	19.00	17.00	4.00	12.79	5F1200-21.5P

#### OPTIONS:

- Longer / Shorter Lengths
- T-321 Stainless Steel Flow Liners
- Increasing Outlet Flange
- Special Drilled / Metric Flanges
- T-304 Stainless Steel Cuffs
- T-304 Stainless Steel Flanges
- Available Without Slots On Request
- Inconel 625 Bellows
- Flow Liner

See pages 27-29 for bellows and flex hose specifications.