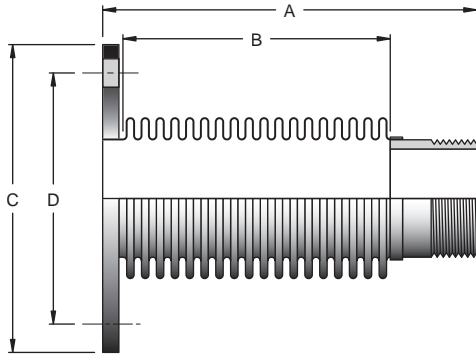


# VIBRATION ISOLATORS

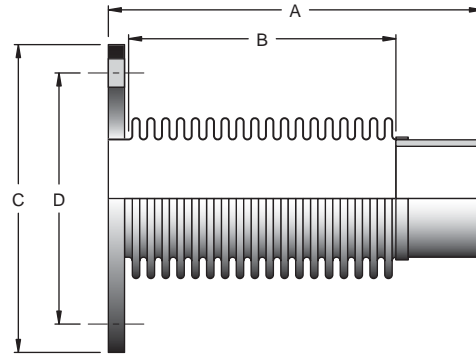
## TYPE 3 - FIXED FLANGE X MALE NPT

T-321 STAINLESS STEEL BELLOWS & FLEX  
125-150#, ANSI A 36 CARBON STEEL FLANGE ONE END  
SCHD. 40, CARBON STEEL MALE NPT ONE END



## TYPE 4 - FIXED FLANGE X BEVELED WELD END

T-321 STAINLESS STEEL BELLOWS & FLEX  
125-150#, ANSI A 36 CARBON STEEL FLANGE ONE END  
SCHD. 40, CARBON STEEL BEVELED WELD END ONE END



### TYPE 3 - MULTI-PLY BELLOWS

SIZE	A	B	C	D	HOLES	DIA	PART NO.
2"	9.00	6.00	6.00	4.75	4	0.75	3M0200-9
2-1/2"	9.50	6.00	7.00	5.50	4	0.75	3M0250-9.5
3"	12.50	9.00	7.50	6.00	4	0.75	3M0300-12.5
3-1/2"	13.50	9.00	8.50	7.00	8	0.75	3M0350-13.5
4"	13.50	9.00	9.00	7.50	8	0.75	3M0400-13.5
5"	13.50	9.00	10.00	8.50	8	0.88	3M0500-13.5
6"	13.50	9.00	11.00	9.50	8	0.88	3M0600-13.5
8"	13.50	9.00	13.50	11.75	8	0.88	3M0800-13.5

### TYPE 4 - MULTI-PLY BELLOWS

SIZE	A	B	C	D	HOLES	DIA	PART NO.
2"	9.00	6.00	6.00	4.75	4	0.75	4M0200-9
2-1/2"	9.00	6.00	7.00	5.50	4	0.75	4M0250-9
3"	12.00	9.00	7.50	6.00	4	0.75	4M0300-12
3-1/2"	12.00	9.00	8.50	7.00	8	0.75	4M0350-12
4"	12.00	9.00	9.00	7.50	8	0.75	4M0400-12
5"	12.00	9.00	10.00	8.50	8	0.88	4M0500-12
6"	12.00	9.00	11.00	9.50	8	0.88	4M0600-12
8"	12.00	9.00	13.50	11.75	8	0.88	4M0800-12

### TYPE 3 - SINGLE-PLY BELLOWS

SIZE	A	B	C	D	HOLES	DIA	PART NO.
2"	9.00	6.00	6.00	4.75	4	0.75	3S0200-9
2-1/2"	9.50	6.00	7.00	5.50	4	0.75	3S0250-9.5
3"	12.50	9.00	7.50	6.00	4	0.75	3S0300-12.5
3-1/2"	13.50	9.00	8.50	7.00	8	0.75	3S0350-13.5
4"	13.50	9.00	9.00	7.50	8	0.75	3S0400-13.5
5"	13.50	9.00	10.00	8.50	8	0.88	3S0500-13.5
6"	13.50	9.00	11.00	9.50	8	0.88	3S0600-13.5
8"	13.50	9.00	13.50	11.75	8	0.88	3S0800-13.5

### TYPE 4 - SINGLE-PLY BELLOWS

SIZE	A	B	C	D	HOLES	DIA	PART NO.
2"	9.00	6.00	6.00	4.75	4	0.75	4S0200-9
2-1/2"	9.00	6.00	7.00	5.50	4	0.75	4S0250-9
3"	12.00	9.00	7.50	6.00	4	0.75	4S0300-12
3-1/2"	12.00	9.00	8.50	7.00	8	0.75	4S0350-12
4"	12.00	9.00	9.00	7.50	8	0.75	4S0400-12
5"	12.00	9.00	10.00	8.50	8	0.88	4S0500-12
6"	12.00	9.00	11.00	9.50	8	0.88	4S0600-12
8"	12.00	9.00	13.50	11.75	8	0.88	4S0800-12

### TYPE 3 - FLEX HOSE

SIZE	A	B	C	D	HOLES	DIA	PART NO.
2"	15.00	12.00	6.00	4.75	4	0.75	3F0200-15
2-1/2"	15.50	12.00	7.00	5.50	4	0.75	3F0250-15.5
3"	20.50	17.00	7.50	6.00	4	0.75	3F0300-20.5
3-1/2"	21.50	17.00	8.50	7.00	8	0.75	3F0350-21.5
4"	21.50	17.00	9.00	7.50	8	0.75	3F0400-21.5
5"	21.50	17.00	10.00	8.50	8	0.88	3F0500-21.5
6"	21.50	17.00	11.00	9.50	8	0.88	3F0600-21.5
8"	21.50	17.00	13.50	11.75	8	0.88	3F0800-21.5

### TYPE 4 - FLEX HOSE

SIZE	A	B	C	D	HOLES	DIA	PART NO.
2"	15.00	12.00	6.00	4.75	4	0.75	4F0200-15
2-1/2"	15.00	12.00	7.00	5.50	4	0.75	4F0250-15
3"	20.00	17.00	7.50	6.00	4	0.75	4F0300-20
3-1/2"	20.00	17.00	8.50	7.00	8	0.75	4F0350-20
4"	20.00	17.00	9.00	7.50	8	0.75	4F0400-20
5"	20.00	17.00	10.00	8.50	8	0.88	4F0500-20
6"	20.00	17.00	11.00	9.50	8	0.88	4F0600-20
8"	20.00	17.00	13.50	11.75	8	0.88	4F0800-20

### OPTIONS:

- Longer / Shorter Lengths
- Special Drilled / Metric Flanges
- T-304 Stainless Steel Fittings
- Inconel 625 Bellows
- Flow Liner
- Increasing Outlet Flange

See pages 27-29 for bellows and flex hose specifications.

# DME INCORPORATED