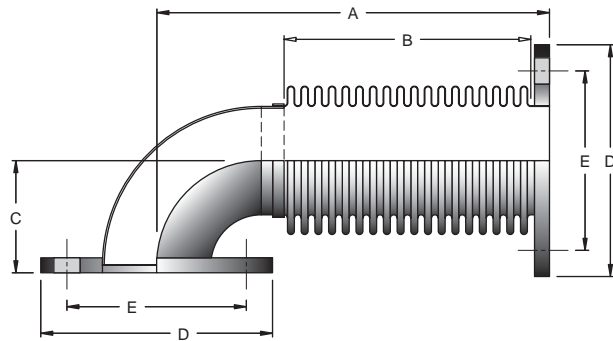


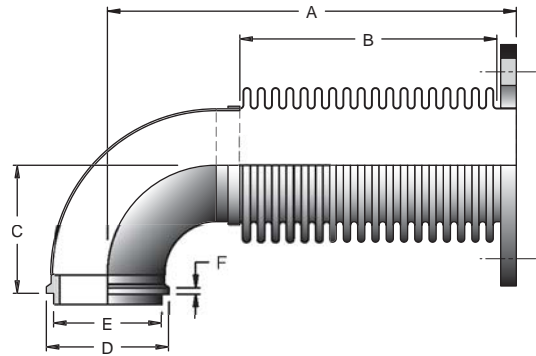
**TYPE 10 - FLANGED 90 DEG. ELBOW X FLANGE**

T-321 STAINLESS STEEL BELLOWS / FLEX  
 125-150# CARBON STEEL ANSI FLANGE EACH END  
 CARBON STEEL 90 DEGREE SHORT RADIUS ELBOW



**TYPE 11 - FLANGE X 90 DEG. TURBO FLANGE**

T-321 STAINLESS STEEL BELLOWS / FLEX  
 125-150# CARBON STEEL ANSI FLANGE ONE END  
 DETROIT TURBO FLANGE OTHER END  
 CARBON STEEL 90 DEGREE SHORT RADIUS ELBOW



**TYPE 10 - MULTI-PLY BELLOWS**

SIZE	A	B	C	D	E	DIA.	PART NO.
3"	13.75	9.00	3.50	7.50	6.00	0.75	10M0300-13.75
3-1/2"	14.25	9.00	4.00	8.50	7.00	0.75	10M0350-14.25
4"	14.75	9.00	4.50	9.00	7.50	0.75	10M0400-14.75
5"	16.25	9.00	6.00	10.00	8.50	0.88	10M0500-16.25
6"	16.75	9.00	6.50	11.00	9.50	0.88	10M0600-16.75
8"	20.75	9.00	10.38	13.50	11.75	0.88	10M0800-20.75
10"	21.75	9.00	11.50	16.00	14.25	1.00	10M1000-21.75
12"	22.75	9.00	12.50	19.00	17.00	1.00	10M1200-22.75

**TYPE 11 - MULTI-PLY BELLOWS**

SIZE	A	B	C	D	E	F	PART NO.
3-1/2"	14.25	9.00	4.25	4.00	3.49	0.22	11M0350-14.25
4"	14.75	9.00	4.75	4.00	3.49	0.22	11M0400-14.75
5"	16.25	9.00	6.25	5.15	4.54	0.22	11M0500-16.25
6"	16.75	9.00	6.75	5.15	4.54	0.22	11M0600-16.75

**TYPE 10 - SINGLE-PLY BELLOWS**

SIZE	A	B	C	D	E	DIA.	PART NO.
3"	13.75	9.00	3.50	7.50	6.00	0.75	10S0300-13.75
3-1/2"	14.25	9.00	4.00	8.50	7.00	0.75	10S0350-14.25
4"	14.75	9.00	4.50	9.00	7.50	0.75	10S0400-14.75
5"	16.25	9.00	6.00	10.00	8.50	0.88	10S0500-16.25
6"	16.75	9.00	6.50	11.00	9.50	0.88	10S0600-16.75
8"	20.75	9.00	10.38	13.50	11.75	0.88	10S0800-20.75
10"	21.75	9.00	11.50	16.00	14.25	1.00	10S1000-21.75
12"	22.75	9.00	12.50	19.00	17.00	1.00	10S1200-22.75

**TYPE 11 - SINGLE-PLY BELLOWS**

SIZE	A	B	C	D	E	F	PART NO.
3-1/2"	14.25	9.00	4.25	4.00	3.49	0.22	11S0350-14.25
4"	14.75	9.00	4.75	4.00	3.49	0.22	11S0400-14.75
5"	16.25	9.00	6.25	5.15	4.54	0.22	11S0500-16.25
6"	16.75	9.00	6.75	5.15	4.54	0.22	11S0600-16.75

**TYPE 10 - FLEX HOSE**

SIZE	A	B	C	D	E	DIA.	PART NO.
3"	20.75	17.00	3.50	7.50	6.00	0.75	10F0300-20.75
3-1/2"	21.25	17.00	4.00	8.50	7.00	0.75	10F0350-21.25
4"	21.75	17.00	4.50	9.00	7.50	0.75	10F0400-21.75
5"	23.25	17.00	6.00	10.00	8.50	0.88	10F0500-23.25
6"	23.75	17.00	6.50	11.00	9.50	0.88	10F0600-23.75
8"	27.75	17.00	10.38	13.50	11.75	0.88	10F0800-27.75
10"	28.75	17.00	11.50	16.00	14.25	1.00	10F1000-28.75
12"	29.75	17.00	12.50	19.00	17.00	1.00	10F1200-29.75

**TYPE 11 - FLEX HOSE**

SIZE	A	B	C	D	E	F	PART NO.
3-1/2"	22.25	17.00	4.25	4.00	3.49	0.22	11F0350-22.25
4"	22.75	17.00	4.75	4.00	3.49	0.22	11F0400-22.75
5"	24.25	17.00	6.25	5.15	4.54	0.22	11F0500-24.25
6"	24.75	17.00	6.75	5.15	4.54	0.22	11F0600-24.75

**OPTIONS:**

- Longer / Shorter Lengths
- Special Drilled / Metric Flanges
- T-304 Stainless Steel Flanges
- Inconel 625 Bellows
- Flow Liner
- Increasing Outlet Flange

See pages 27-29 for bellows and flex hose specifications.