

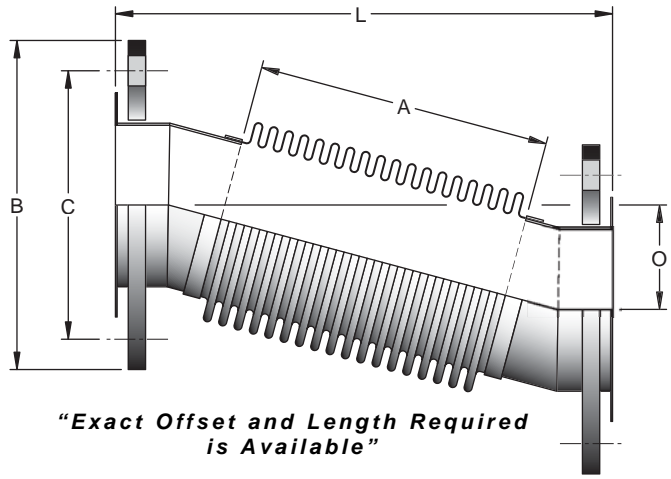
000000 OFFSET ISOLATORS 000000

TYPE 30A - FLANGE OFFSET X FLANGE OFFSET

T-321 STAINLESS STEEL BELLOWS / FLEX
 125-150# ANSI FLOATING INLET FLANGE, A-36 STEEL
 125-150# ANSI FLOATING OUTLET FLANGE, A-36 STEEL

OPTIONS:

- Longer / Shorter Lengths
- Inconel 625 Bellows
- Special Flange / Metric Flange
- Cummins and Detroit Flange
- Specify Exact Offset Requirement
- Flow Liner
- Increasing / Reducing Flanges



TYPE 30A - MULTI-PLY BELLOWS

SIZE	A	B	C	HOLES	DIA	3" OFFSET			6" OFFSET			12" OFFSET		
						L	O	PART NO.	L	O	PART NO.	L	O	PART NO.
3"	9.00	7.50	6.00	4	0.75	30.00	3.00	30M0300-3A	34.00	6.00	30M0300-6A	38.00	12.00	30M0300-12A
3.50"	9.00	8.50	7.00	8	0.75	30.00	3.00	30M0350-3A	34.00	6.00	30M0350-6A	38.00	12.00	30M0350-12A
4"	9.00	9.00	7.50	8	0.75	30.00	3.00	30M0400-3A	34.00	6.00	30M0400-6A	38.00	12.00	30M0400-12A
5"	9.00	10.00	8.50	8	0.88	32.00	3.00	30M0500-3A	36.00	6.00	30M0500-6A	40.00	12.00	30M0500-12A
6"	9.00	11.00	9.50	8	0.88	32.00	3.00	30M0600-3A	36.00	6.00	30M0600-6A	40.00	12.00	30M0600-12A
8"	9.00	13.50	11.75	8	0.88	32.00	3.00	30M0800-3A	36.00	6.00	30M0800-6A	40.00	12.00	30M0800-12A
10"	9.00	16.00	14.25	12	1.00	34.00	3.00	30M1000-3A	38.00	6.00	30M1000-6A	42.00	12.00	30M1000-12A
12"	9.00	19.00	17.00	12	1.00	34.00	3.00	30M1200-3A	38.00	6.00	30M1200-6A	42.00	12.00	30M1200-12A
14"	9.00	21.00	18.75	12	1.13	38.00	3.00	30M1400-3A	42.00	6.00	30M1400-6A	48.00	12.00	30M1400-12A
16"	9.00	23.50	21.25	16	1.13	38.00	3.00	30M1600-3A	42.00	6.00	30M1600-6A	48.00	12.00	30M1600-12A
18"	9.00	25.00	22.75	16	1.25	38.00	3.00	30M1800-3A	42.00	6.00	30M1800-6A	48.00	12.00	30M1800-12A
20"	9.00	27.50	25.00	20	1.25	38.00	3.00	30M2000-3A	42.00	6.00	30M2000-6A	48.00	12.00	30M2000-12A
22"	9.00	29.50	27.25	20	1.38	38.00	3.00	30M2200-3A	42.00	6.00	30M2200-6A	48.00	12.00	30M2200-12A
24"	9.00	32.00	29.50	20	1.38	38.00	3.00	30M2400-3A	42.00	6.00	30M2400-6A	48.00	12.00	30M2400-12A

TYPE 30A - SINGLE-PLY BELLOWS

SIZE	A	B	C	HOLES	DIA	3" OFFSET			6" OFFSET			12" OFFSET		
						L	O	PART NO.	L	O	PART NO.	L	O	PART NO.
3"	9.00	7.50	6.00	4	0.75	30.00	3.00	30S0300-3A	34.00	6.00	30S0300-6A	38.00	12.00	30S0300-12A
3.50"	9.00	8.50	7.00	8	0.75	30.00	3.00	30S0350-3A	34.00	6.00	30S0350-6A	38.00	12.00	30S0350-12A
4"	9.00	9.00	7.50	8	0.75	30.00	3.00	30S0400-3A	34.00	6.00	30S0400-6A	38.00	12.00	30S0400-12A
5"	9.00	10.00	8.50	8	0.88	32.00	3.00	30S0500-3A	36.00	6.00	30S0500-6A	40.00	12.00	30S0500-12A
6"	9.00	11.00	9.50	8	0.88	32.00	3.00	30S0600-3A	36.00	6.00	30S0600-6A	40.00	12.00	30S0600-12A
8"	9.00	13.50	11.75	8	0.88	32.00	3.00	30S0800-3A	36.00	6.00	30S0800-6A	40.00	12.00	30S0800-12A
10"	9.00	16.00	14.25	12	1.00	34.00	3.00	30S1000-3A	38.00	6.00	30S1000-6A	42.00	12.00	30S1000-12A
12"	9.00	19.00	17.00	12	1.00	34.00	3.00	30S1200-3A	38.00	6.00	30S1200-6A	42.00	12.00	30S1200-12A
14"	9.00	21.00	18.75	12	1.13	38.00	3.00	30S1400-3A	42.00	6.00	30S1400-6A	48.00	12.00	30S1400-12A
16"	9.00	23.50	21.25	16	1.13	38.00	3.00	30S1600-3A	42.00	6.00	30S1600-6A	48.00	12.00	30S1600-12A
18"	9.00	25.00	22.75	16	1.25	38.00	3.00	30S1800-3A	42.00	6.00	30S1800-6A	48.00	12.00	30S1800-12A
20"	9.00	27.50	25.00	20	1.25	38.00	3.00	30S2000-3A	42.00	6.00	30S2000-6A	48.00	12.00	30S2000-12A
22"	9.00	29.50	27.25	20	1.38	38.00	3.00	30S2200-3A	42.00	6.00	30S2200-6A	48.00	12.00	30S2200-12A
24"	9.00	32.00	29.50	20	1.38	38.00	3.00	30S2400-3A	42.00	6.00	30S2400-6A	48.00	12.00	30S2400-12A

TYPE 30A - FLEX HOSE

SIZE	A	B	C	HOLES	DIA	3" OFFSET			6" OFFSET			12" OFFSET		
						L	O	PART NO.	L	O	PART NO.	L	O	PART NO.
3"	17.00	7.50	6.00	4	0.75	30.00	3.00	30S0300-3A	34.00	6.00	30S0300-6A	38.00	12.00	30S0300-12A
3.50"	17.00	8.50	7.00	8	0.75	30.00	3.00	30S0350-3A	34.00	6.00	30S0350-6A	38.00	12.00	30S0350-12A
4"	17.00	9.00	7.50	8	0.75	30.00	3.00	30S0400-3A	34.00	6.00	30S0400-6A	38.00	12.00	30S0400-12A
5"	17.00	10.00	8.50	8	0.88	32.00	3.00	30S0500-3A	36.00	6.00	30S0500-6A	40.00	12.00	30S0500-12A
6"	17.00	11.00	9.50	8	0.88	32.00	3.00	30S0600-3A	36.00	6.00	30S0600-6A	40.00	12.00	30S0600-12A
8"	17.00	13.50	11.75	8	0.88	32.00	3.00	30S0800-3A	36.00	6.00	30S0800-6A	40.00	12.00	30S0800-12A
10"	17.00	16.00	14.25	12	1.00	34.00	3.00	30S1000-3A	38.00	6.00	30S1000-6A	42.00	12.00	30S1000-12A
12"	17.00	19.00	17.00	12	1.00	34.00	3.00	30S1200-3A	38.00	6.00	30S1200-6A	42.00	12.00	30S1200-12A
14"	17.00	21.00	18.75	12	1.13	38.00	3.00	30S1400-3A	42.00	6.00	30S1400-6A	48.00	12.00	30S1400-12A
16"	17.00	23.50	21.25	16	1.13	38.00	3.00	30S1600-3A	42.00	6.00	30S1600-6A	48.00	12.00	30S1600-12A
18"	17.00	25.00	22.75	16	1.25	38.00	3.00	30S1800-3A	42.00	6.00	30S1800-6A	48.00	12.00	30S1800-12A