



# ENGINE EXHAUST CATALOG

**Metal Bellows Expansion Joints | Flexible Metal Hose Assemblies  
Fabric & Rubber Expansion Joints | Exhaust Components**

**MADE IN U.S.A. | ISO9001:2008**



For over three decades the craftsmen at DME have been manufacturing custom exhaust system components, bellows expansion joints and flexible metal hose assemblies.

This catalog presents some unique and common products used in engine exhaust and low pressure piping systems. DME has the engineering and production capabilities to design and fabricate unique products tailored to your individual requirements.

DME maintains an extensive inventory of components and raw materials in order to provide delivery schedules that meet our customers' critical requirements. Providing high quality products, in a timely manner, is a goal shared by each of our dedicated employees. DME also has earned a reputation for outstanding customer service.

The sales and engineering teams at DME are ready to assist you with your project!

DME Inc.  
 14001 Marquardt Ave. Santa Fe Springs, CA 90670  
 Toll Free 1-888-4DMEINC Tel. 562-921-0464 Fax 562-802-7489  
 E-mail: [info@dmeexpansionjoints.com](mailto:info@dmeexpansionjoints.com) URL: [www.dmeexpansionjoints.com](http://www.dmeexpansionjoints.com)

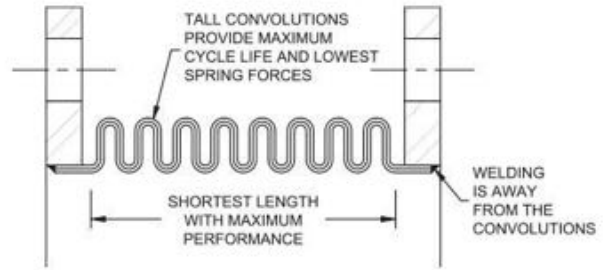


# COMPARISON

## MULTI-PLY BELLOWS vs SINGLE-PLY BELLOWS vs FLEX HOSE

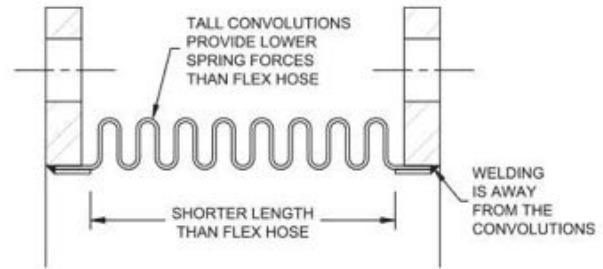
### MULTI-PLY CONSTRUCTION ( ★★★ )

DME's proven design multi-ply bellows, with their tall convolutions, will provide the ultimate in cycle life with the lowest spring rates available. These individually designed bellows, constructed with multiple layers of metal, have unique vibration dampening characteristics and greater movement capabilities. DME highly recommends multi-ply bellows for prime power and emergency generators, marine propulsion engines and all critical applications.



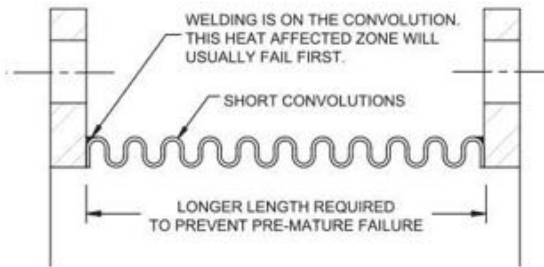
### SINGLE-PLY CONSTRUCTION ( ★★ )

Good cycle life and low spring rates will be achieved when utilizing a DME designed single-ply bellows. When space is limited, the bellows will provide a compact advantage over flex hose. Hand crafted bellows have a tangent or neck to facilitate welding, which by design, will remove the affected "heat zone" away from the first convolution.



### DIESEL FLEX HOSE ( ★ )

When predictable cycle life is not an issue and space is adequate, exhaust flex hose can be used with satisfactory results. The skilled welders at DME minimize the impact of the affected "heat zone" on the convolution by insuring a no weld undercut.

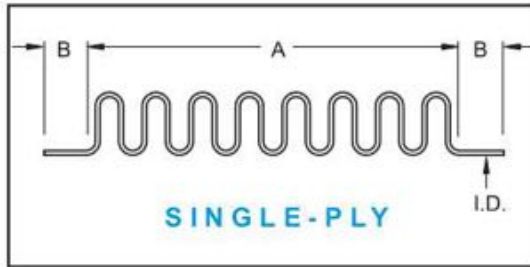


## RECOMMENDATIONS

SERVICE	MULTI-PLY	SINGLE PLY	FLEX HOSE
Prime Power At The Engine	X		
Thermal Expansion Of The Piping System	X	X	
Stand-By Generator	X	X	X
Rental Generator	X	X	X
When Space is Limited (All Applications)	X		
Turbine Exhaust	X		
Marine Exhaust At The Engine	X		
Marine Exhaust For Thermal Expansion Of The Piping System	X	X	
Fan Intake And Discharge	X	X	
Blower Inlet And Outlet	X	X	

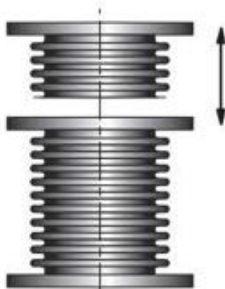
# DME INCORPORATED

## A240 T-321 STAINLESS STEEL BELLOWS

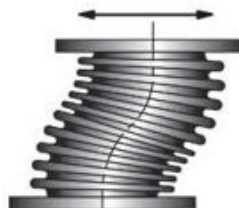


Single-ply bellows construction is used for moderate amounts of lateral and axial motions. Spring forces are higher than multi-ply and fatigue cycle life is better than flex hose. Single-ply bellows are commonly used to absorb axial compression and lateral offset in the piping. When used to absorb thermal growth, the bellows must be placed in a piping system that is properly anchored and guided.

BELLOWS I.D.	CONV. LENGTH "A"	NECK LENGTH "B"	MAX. PSIG * @ 900° F	MAX. BELLOWS TEMP.	AXIAL COMPR. ONLY	MINIMUM CYCLE LIFE (THEOR)	AXIAL SPRING RATE # / INCH	LATERAL OFFSET ONLY	MINIMUM CYCLE LIFE (THEOR)	LATERAL SPRING RATE # / INCH	PART NUMBER
1.50	6.00	0.625	20	1200°F	0.75	10,800	105	0.75	11,000	13	SP0150-0600
2.00	6.00	0.625	10	1200°F	1.25	13,900	67	1.00	15,000	15	SP0200-0600
2.38	6.00	0.625	15	1200°F	1.25	12,700	79	0.88	15,000	25	SP0238-0600
2.50	6.00	0.625	15	1200°F	1.25	12,600	74	0.88	11,800	26	SP0250-0600
2.88	6.00	0.625	20	1200°F	1.25	11,600	86	0.75	12,700	39	SP0288-0600
3.00	9.00	0.625	8	1200°F	2.00	11,800	78	1.75	11,700	17	SP0300-0900
3.50	9.00	0.625	10	1200°F	2.00	10,600	89	1.25	15,000	26	SP0350-0900
4.00	9.00	0.625	10	1200°F	2.50	10,200	70	1.25	15,000	26	SP0400-0900
4.50	9.00	0.625	10	1200°F	2.25	15,000	79	1.25	15,000	36	SP0450-0900
5.00	9.00	0.625	20	1200°F	2.00	15,000	145	1.00	15,000	92	SP0500-0900
5.56	9.00	0.625	20	1200°F	2.00	15,000	160	1.00	10,700	123	SP0556-0900
6.00	9.00	0.625	20	1200°F	2.00	14,900	173	0.88	14,500	153	SP0600-0900
6.63	9.00	0.625	25	1200°F	2.00	14,000	191	0.75	15,000	201	SP0663-0900
7.50	9.00	0.625	30	1200°F	2.00	13,000	212	0.75	10,000	279	SP0750-0900
8.00	9.00	0.625	30	1200°F	2.00	12,000	227	0.63	18,000	339	SP0800-0900
8.63	9.00	0.625	35	1200°F	2.00	12,000	242	0.63	12,000	415	SP0863-0900
9.50	9.00	0.625	35	1200°F	2.00	12,000	269	0.50	15,000	550	SP0950-0900
10.00	9.00	0.625	30	1200°F	2.50	15,000	224	0.75	11,000	500	SP1000-0900
10.75	9.00	0.625	30	1200°F	2.50	15,000	237	0.63	15,000	605	SP1075-0900
12.00	9.00	0.625	30	1200°F	2.50	12,000	264	0.50	15,000	824	SP1200-0900
12.75	9.00	0.625	30	1200°F	2.75	10,000	282	0.50	15,000	986	SP1275-0900
14.00	9.00	0.625	25	1200°F	3.00	15,000	213	0.63	15,000	886	SP1400-0900
16.00	9.00	0.625	30	1200°F	3.00	15,000	242	0.50	15,000	1,288	SP1600-0900
18.00	9.00	0.625	35	1200°F	3.00	15,000	247	0.50	13,000	1,641	SP1800-0900
20.00	9.00	0.625	40	1200°F	3.00	15,000	272	0.38	15,000	2,194	SP2000-0900
22.00	9.00	0.625	40	1200°F	3.00	15,000	299	0.38	11,000	2,901	SP2200-0900
24.00	9.00	0.625	45	1200°F	3.00	15,000	323	0.38	13,000	3,899	SP2400-0900



**AXIAL COMPRESSION / EXTENSION**



**LATERAL OFFSET**



**COMBINED**

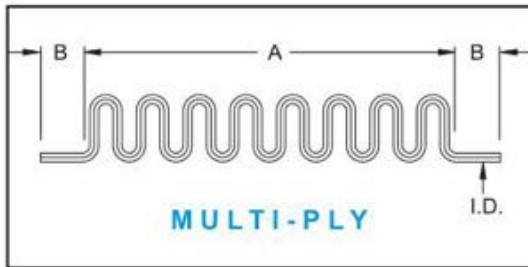


**ANGULAR**

**NOTES:**

- Maximum PSIG and temperature ratings are for the bellows only. The rating for the assembly will be based on the fitting style and type of materials selected.
- Movements are non-concurrent.
- Longer and shorter bellows can be furnished upon customer's request.
- Inconel 625, T-316 Stainless Steel, Hastelloy C276, T-304 Stainless Steel, Alloy-X, Monel 400 bellows are available on request.
- Bellows can be extended up to 50% of the axial compression rating.
- Larger sizes available.

## A240 T-321 STAINLESS STEEL BELLOWS



Multi-ply bellows construction effectively dampens vibration and noise transmission. Large amounts of lateral and axial motions are possible with the lowest spring forces and the maximum fatigue cycle life available.

For critical applications, multi-ply bellows are the best choice. DME Incorporated designs bellows with up to six (6) plies for the ultimate in performance.

DME has the experience and ability to design a bellows to meet your exact requirements.

BELLOWS I.D.	CONV. LENGTH "A"	NECK LENGTH "B"	MAX. PSIG * @ 900° F	MAX. BELLOWS TEMP.	AXIAL COMPR. ONLY	MINIMUM CYCLE LIFE (THEOR)	AXIAL SPRING RATE # / INCH	LATERAL OFFSET ONLY	MINIMUM CYCLE LIFE (THEOR)	LATERAL SPRING RATE # / INCH	PART NUMBER
1.50	6.00	0.625	35	1200°F	0.75	20,000	147	0.75	20,000	19	MP0150-0600
2.00	6.00	0.625	20	1200°F	1.25	20,000	83	1.00	20,000	20	MP0200-0600
2.38	6.00	0.625	20	1200°F	1.25	20,000	97	0.88	20,000	32	MP0230-0600
2.50	6.00	0.625	20	1200°F	1.25	20,000	101	0.88	20,000	36	MP0250-0600
2.88	6.00	0.625	25	1200°F	1.25	20,000	117	0.75	20,000	53	MP0288-0600
3.00	9.00	0.625	5	1200°F	3.00	15,000	44	2.00	20,000	10	MP0300-0900
3.50	9.00	0.625	7	1200°F	3.00	15,000	50	2.00	20,000	15	MP0350-0900
4.00	9.00	0.625	5	1200°F	3.00	15,000	38	2.00	20,000	15	MP0400-0900
4.50	9.00	0.625	5	1200°F	3.00	15,000	43	2.00	20,000	20	MP0450-0900
5.00	9.00	0.625	9	1200°F	3.00	20,000	65	1.50	20,000	40	MP0500-0900
5.56	9.00	0.625	10	1200°F	3.00	20,000	71	1.50	20,000	53	MP0556-0900
6.00	9.00	0.625	10	1200°F	3.00	20,000	82	1.50	20,000	70	MP0600-0900
6.63	9.00	0.625	12	1200°F	3.00	20,000	90	1.00	20,000	92	MP0663-0900
7.50	9.00	0.625	12	1200°F	3.00	20,000	90	1.00	20,000	115	MP0750-0900
8.00	9.00	0.625	15	1200°F	3.00	20,000	95	1.00	20,000	137	MP0800-0900
8.63	9.00	0.625	15	1200°F	3.00	20,000	103	1.00	20,000	171	MP0863-0900
9.50	9.00	0.625	15	1200°F	3.00	20,000	112	0.88	20,000	222	MP0950-0900
10.00	9.00	0.625	7	1200°F	3.00	20,000	53	1.00	20,000	118	MP1000-0900
10.75	9.00	0.625	7	1200°F	3.00	20,000	55	1.00	20,000	141	MP1075-0900
12.00	9.00	0.625	9	1200°F	3.00	20,000	59	1.00	20,000	186	MP1200-0900
12.75	9.00	0.625	9	1200°F	3.00	20,000	62	1.00	20,000	218	MP1275-0900
14.00	9.00	0.625	5	1200°F	4.00	20,000	50	0.75	20,000	207	MP1400-0900
16.00	9.00	0.625	7	1200°F	4.00	20,000	56	0.63	20,000	297	MP1600-0900
18.00	9.00	0.625	7	1200°F	4.00	20,000	60	0.63	20,000	403	MP1800-0900
20.00	9.00	0.625	10	1200°F	4.00	20,000	65	0.50	20,000	534	MP2000-0900
22.00	9.00	0.625	10	1200°F	4.00	20,000	71	0.50	20,000	690	MP2200-0900
24.00	9.00	0.625	10	1200°F	4.00	20,000	78	0.50	20,000	899	MP2400-0900



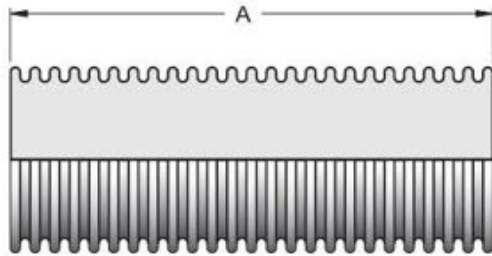
**"Each Bellows Is Individually Hand Crafted To Meet Exact Specifications"**

**NOTE:**

- Maximum PSIG and temperature ratings are for the bellows only. The rating for the assembly will be based on the fitting style and type of materials selected.
- Longer and shorter bellows can be furnished per customer's request.
- Inconel 625, T-316 Stainless Steel, Hastelloy C276, T-304 Stainless Steel, Alloy X, Monel 400 bellows are available on request.
- Movements are non-concurrent
- Bellows can be extended up to 50% of the axial compression rating.
- Larger sizes available.
- \* Shorter bellows will have greater pressure capabilities, longer bellows are capable of less pressure. Consult DME with your requirements.
- \* For temperatures over 1200°F, Inconel 625 or Hastelloy X Bellows should be used.



## CORRUGATED EXHAUST FLEX HOSE



### A 240 T-321 STAINLESS STEEL

Flex hose offers an economical solution for minor vibration isolation between the engine and piping. This product should only be used for a minor amount of thermal growth or piping mis-alignment. The life expectancy of flex hose is un-predictable and should only be used for non-critical applications.

FLEX I.D. (TRUE)	CONV. LENGTH "A"	MAX. PSIG @ 900°F	MAX. FLEX TEMP.	AXIAL COMP. ONLY	AXIAL SPRING RATE (lbs/inch)	ADDITIONAL MOVEMENT PER INCH (AXIAL)	LATERAL OFFSET ONLY	LATERAL SPRING RATE (lbs/inch)	ADDITIONAL MOVEMENT PER INCH (LATERAL)	CYCLE LIFE
1.00	12.00	20	1200° F	.140	320	.011	1.32	5.5	.110	N/A
1.25	12.00	20	1200° F	.140	319	.011	1.29	7.7	.107	N/A
1.50	12.00	19	1200° F	.140	298	.011	1.25	9.8	.104	N/A
2.00	12.00	18	1200° F	.140	343	.011	.960	18.4	.080	N/A
2.50	12.00	22	1200° F	.210	345	.017	.820	29	.068	N/A
3.00	17.00	10	1200° F	.289	191	.017	1.04	12	.061	N/A
3.50	17.00	10	1200° F	.289	217	.017	.918	18	.054	N/A
4.00	17.00	10	1200° F	.289	225	.017	.850	23	.050	N/A
5.00	17.00	15	1200° F	.289	342	.017	.663	54	.039	N/A
6.00	17.00	19	1200° F	.289	441	.017	.595	95	.035	N/A
7.50	17.00	14	1200° F	.374	311	.022	.553	104	.033	N/A
8.00	17.00	14	1200° F	.374	323	.022	.510	123	.030	N/A
8.63	17.00	15	1200° F	.374	341	.022	.474	147	.028	N/A
9.50	17.00	16	1200° F	.374	371	.022	.416	193	.024	N/A
10.00	17.00	14	1200° F	.374	310	.022	.357	192	.021	N/A
10.75	17.00	14	1200° F	.374	328	.022	.332	232	.020	N/A
12.00	17.00	15	1200° F	.374	359	.022	.340	311	.020	N/A
12.75	17.00	15	1200° F	.374	380	.022	.321	369	.019	N/A
14.00	17.00	17	1200° F	.374	397	.022	.306	415	.018	N/A
16.00	17.00	18	1200° F	.374	435	.022	.272	584	.016	N/A
18.00	17.00	18	1200° F	.374	483	.022	.255	809	.015	N/A

### NOTES:

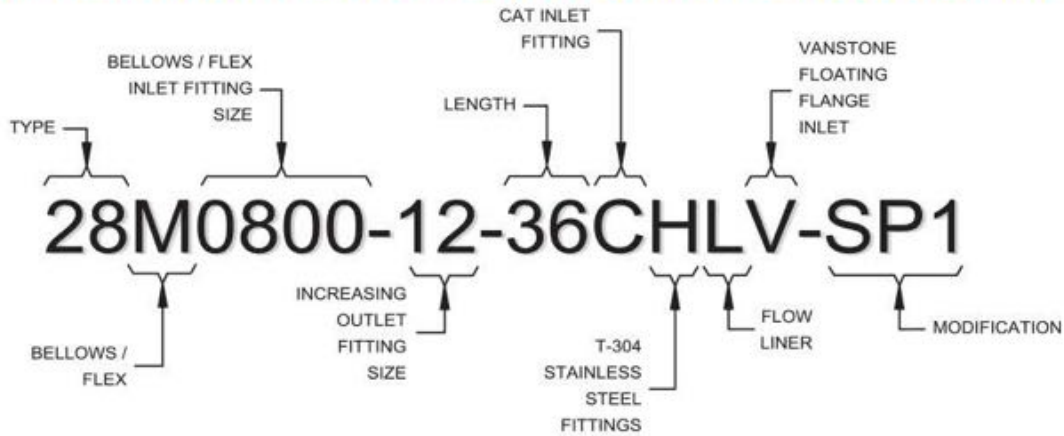
- 1" - 6" Sizes are Stocked in Approximately 20' Lengths.
- 7-1/2" and Larger Sizes are Stocked in 12", 18" and 24" Lengths.
- Larger and Metric Sizes Available on Request.
- Inconel 625, T-316L, Hastelloy and Other Alloys Available on Request.

"DME Maintains a Large Inventory of Flex Hose"

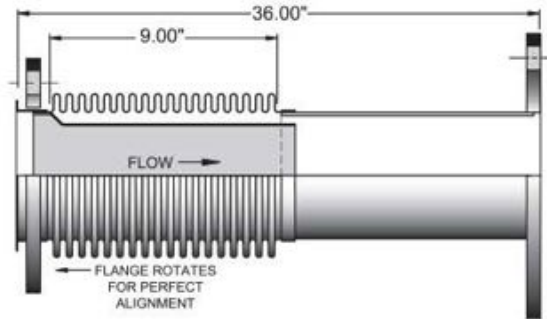


# DME INCORPORATED

PART NUMBERS AND OPTIONS FOR BELLOWS AND FLEX HOSE ASSEMBLIES



**EXAMPLE:** Type 28 Assembly with Multiply Bellows (M), 8" Bellows Size (0800), 12" Outlet Flange (-12), 36" Overall Length (-36), with Flow Liner (L), T-304 S/S Fitting (H), 8" Cat Inlet Flange (C), Vanstone Inlet Flange (V), Modified to T-321 Stainless Steel Spacer (SP1)



Letter Designations

- |   |  |
|---|--|
| A - Vanstone ANSI Flange Inlet And Outlet   | N - Pipe Size Bellows                        |
| B - Caterpillar Flange Both Inlet / Outlet  | O - Onan Inlet / ANSI Outlet                 |
| C - Caterpillar Flange Inlet / ANSI Outlet  | P - Pipe Size                                |
| D - Detroit Inlet / ANSI Outlet             | Q - Pyrometer Port                           |
| E - T-316 Stainless Steel Fittings          | R - Raised Face Forged Steel Flanges         |
| F - Flexible Hose T-321 Stainless Steel     | S - Single Ply bellows T-321 Stainless Steel |
| G - T-321 Stainless Steel Flanges           | T - Tube Size                                |
| H - T-304 Stainless Steel Fittings          | U - Cummins Inlet / ANSI Outlet              |
| I - Inconel 625 Bellows                     | V - Vanstone Inlet Flange                    |
| J - John Deere Inlet / ANSI Outlet          | W - T-321 Waukesha Lip Inlet / ANSI Outlet   |
| K - Kohler Inlet / ANSI Outlet              | X - Vanstone Outlet Flange                   |
| L - Flow Liner T-321 Stainless Steel        | Y - Wye Assembly                             |
| M - Multi-ply Bellows T-321 Stainless Steel | Z - Telescoping Flow Liner                   |

Size Designations

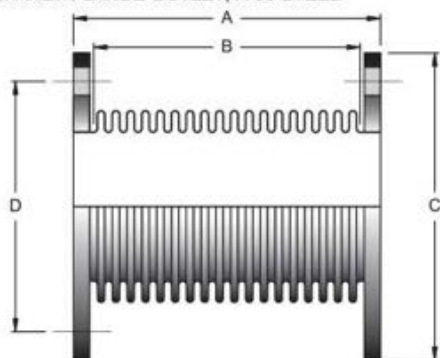
- |  |                    |                      |
|--|--------------------|----------------------|
| SP1 - T-321 S/S Spacer (0.050" Rolled Cylinder)  | 1" Pipe = 0130     | 4" Tube = 0400       |
| SP2 - T-304 S/S Spacer (0.050" Rolled Cylinder)  | 1-1/4" Pipe = 0166 | 5" Pipe = 0556       |
| SP3 - T-316 S/S Spacer (0.050" Rolled Cylinder)  | 1-1/2" Pipe = 0190 | 5" Tube = 0500       |
| SP4 - Inconel Spacer (0.050" Rolled Cylinder)    | 1-1/2" Tube = 0150 | 6" Pipe = 0663       |
| SP5 - T-304 Stainless Steel Bellows              | 2" Pipe = 0238     | 6" Tube = 0600       |
| SP6 - T-316 Stainless Steel Bellows              | 2" Tube = 0200     | 8" Pipe = 0863       |
| SP7 - Liner Direction (Floating to Fixed Flange) | 2-1/2" Pipe = 0288 | 8" Tube = 0800       |
| SP8 - W/ Sch. 5 Pipe                             | 2-1/2" Tube = 0250 | 10" Pipe = 1075      |
| SP9 - W/ Sch. 10 Pipe                            | 3" Pipe = 0350     | 10" Tube = 1000      |
| SP10 - W/ Long Radius Elbow                      | 3" Tube = 0300     | 12" Pipe = 1275      |
| SP11 - W/ 12" Live Length Bellows & S/S Spacer   | 3-1/2" Pipe = 0401 | 12" Tube = 1200      |
|  | 3-1/2" Tube = 0351 | 14" Tube/Pipe = 1400 |
|  | 4" Pipe = 0450     | 16" Tube/Pipe = 1600 |

NOTE: Letter Designations at the End of the Part Number are in Alphabetical Order.



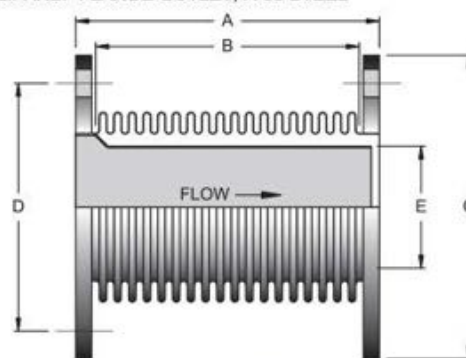
## TYPE 1 - FIXED X FIXED FLANGE (ANSI)

T-321 STAINLESS STEEL BELLOWS & FLEX  
125-150# ANSI FLANGE INLET, A-36 STEEL  
125-150# ANSI FLANGE OUTLET, A-36 STEEL



## TYPE 1L - FIXED X FIXED FLANGE (ANSI)

T-321 S/S BELLOWS / FLEX WITH INTERNAL FLOW LINER  
125-150# ANSI FLANGE INLET, A-36 STEEL  
125-150# ANSI FLANGE OUTLET, A-36 STEEL



## TYPE 1 - MULTI-PLY BELLOWS

SIZE	A	B	C	D	HOLES	DIA	PART NO.
3"	10.00	9.00	7.50	6.00	4	0.75	1M0300-10
3-1/2"	10.00	9.00	8.50	7.00	8	0.75	1M0350-10
4"	10.00	9.00	9.00	7.50	8	0.75	1M0400-10
5"	10.00	9.00	10.00	8.50	8	0.88	1M0500-10
6"	10.00	9.00	11.00	9.50	8	0.88	1M0600-10
8"	10.00	9.00	13.50	11.75	8	0.88	1M0800-10
10"	10.00	9.00	16.00	14.25	12	1.00	1M1000-10
12"	10.00	9.00	19.00	17.00	12	1.00	1M1200-10
14"	10.00	9.00	21.00	18.75	12	1.13	1M1400-10
16"	10.00	9.00	23.50	21.25	16	1.13	1M1600-10
18"	10.00	9.00	25.50	22.75	16	1.25	1M1800-10
20"	10.00	9.00	27.50	25.00	20	1.25	1M2000-10
22"	10.00	9.00	29.50	27.25	20	1.38	1M2200-10
24"	10.00	9.00	32.00	29.50	20	1.38	1M2400-10

## TYPE 1L - MULTI-PLY BELLOWS WITH LINER

SIZE	I.D.	A	B	C	D	E	PART NO.
3"	3.50	10.00	9.00	7.50	6.00	2.88	1M0300-10L
3-1/2"	4.00	10.00	9.00	8.50	7.00	3.38	1M0350-10L
4"	4.50	10.00	9.00	9.00	7.50	3.88	1M0400-10L
5"	5.56	10.00	9.00	10.00	8.50	4.75	1M0500-10L
6"	6.63	10.00	9.00	11.00	9.50	5.75	1M0600-10L
8"	8.63	10.00	9.00	13.50	11.75	7.75	1M0800-10L
10"	10.75	10.00	9.00	16.00	14.25	9.88	1M1000-10L
12"	12.75	10.00	9.00	19.00	17.00	11.88	1M1200-10L
14"	14.00	10.00	9.00	21.00	18.75	13.00	1M1400-10L
16"	16.00	10.00	9.00	23.50	21.25	15.00	1M1600-10L
18"	18.00	10.00	9.00	25.50	22.75	17.00	1M1800-10L
20"	20.00	10.00	9.00	27.50	25.00	19.00	1M2000-10L
22"	22.00	10.00	9.00	29.50	27.25	21.00	1M2200-10L
24"	24.00	10.00	9.00	32.00	29.50	23.00	1M2400-10L

## TYPE 1 - SINGLE-PLY BELLOWS

SIZE	A	B	C	D	HOLES	DIA	PART NO.
3"	10.00	9.00	7.50	6.00	4	0.75	1S0300-10
3-1/2"	10.00	9.00	8.50	7.00	8	0.75	1S0350-10
4"	10.00	9.00	9.00	7.50	8	0.75	1S0400-10
5"	10.00	9.00	10.00	8.50	8	0.88	1S0500-10
6"	10.00	9.00	11.00	9.50	8	0.88	1S0600-10
8"	10.00	9.00	13.50	11.75	8	0.88	1S0800-10
10"	10.00	9.00	16.00	14.25	12	1.00	1S1000-10
12"	10.00	9.00	19.00	17.00	12	1.00	1S1200-10
14"	10.00	9.00	21.00	18.75	12	1.13	1S1400-10
16"	10.00	9.00	23.50	21.25	16	1.13	1S1600-10
18"	10.00	9.00	25.50	22.75	16	1.25	1S1800-10
20"	10.00	9.00	27.50	25.00	20	1.25	1S2000-10
22"	10.00	9.00	29.50	27.25	20	1.38	1S2200-10
24"	10.00	9.00	32.00	29.50	20	1.38	1S2400-10

## TYPE 1L - SINGLE-PLY BELLOWS WITH LINER

SIZE	I.D.	A	B	C	D	E	PART NO.
3"	3.50	10.00	9.00	7.50	6.00	2.88	1S0300-10L
3-1/2"	4.00	10.00	9.00	8.50	7.00	3.38	1S0350-10L
4"	4.50	10.00	9.00	9.00	7.50	3.88	1S0400-10L
5"	5.56	10.00	9.00	10.00	8.50	4.75	1S0500-10L
6"	6.63	10.00	9.00	11.00	9.50	5.75	1S0600-10L
8"	8.63	10.00	9.00	13.50	11.75	7.75	1S0800-10L
10"	10.75	10.00	9.00	16.00	14.25	9.88	1S1000-10L
12"	12.75	10.00	9.00	19.00	17.00	11.88	1S1200-10L
14"	14.00	10.00	9.00	21.00	18.75	13.00	1S1400-10L
16"	16.00	10.00	9.00	23.50	21.25	15.00	1S1600-10L
18"	18.00	10.00	9.00	25.50	22.75	17.00	1S1800-10L
20"	20.00	10.00	9.00	27.50	25.00	19.00	1S2000-10L
22"	22.00	10.00	9.00	29.50	27.25	21.00	1S2200-10L
24"	24.00	10.00	9.00	32.00	29.50	23.00	1S2400-10L

## TYPE 1 - FLEX HOSE

SIZE	A	B	C	D	HOLES	DIA	PART NO.
3"	18.00	17.00	7.50	6.00	4	0.75	1F0300-18
3-1/2"	18.00	17.00	8.50	7.00	8	0.75	1F0350-18
4"	18.00	17.00	9.00	7.50	8	0.75	1F0400-18
5"	18.00	17.00	10.00	8.50	8	0.88	1F0500-18
6"	18.00	17.00	11.00	9.50	8	0.88	1F0600-18
8"	18.00	17.00	13.50	11.75	8	0.88	1F0800-18
10"	18.00	17.00	16.00	14.25	12	1.00	1F1000-18
12"	18.00	17.00	19.00	17.00	12	1.00	1F1200-18
14"	18.00	17.00	21.00	18.75	12	1.13	1F1400-18
16"	18.00	17.00	23.50	21.25	16	1.13	1F1600-18
18"	18.00	17.00	25.50	22.75	16	1.25	1F1800-18

## OPTIONS:

- Longer / Shorter Lengths
- Increasing / Reducing Flanges
- Special Drilled / Metric Flanges
- Cummins and Detroit Flanges
- T-304, T-316, and T-321 Stainless Steel Flanges
- Inconel 625 and Alloy "X" Bellows

## NOTES:

- T-321 Stainless Steel Vanstone (Standard).
- Standard Flow Liner Diameter "E" Limits Lateral Offset to 3/8" For Increased Offset "E" Must Be Reduced.
- Internal Flow Liners are Required if Flow Conditions are Equal or Greater Than the Following:

6" and Under (Gas / Steam) - 4ft/sec/inch of Diameter.  
8" and Over (Gas / Steam) - 25ft/sec.

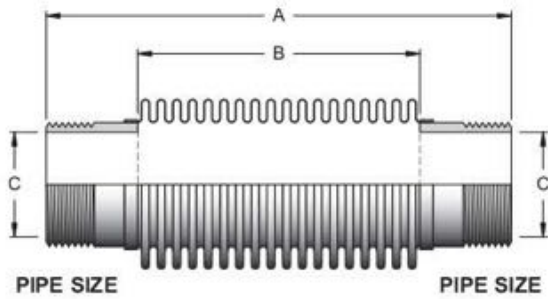
See pages 4-6 for bellows and flex hose specifications.



# VIBRATION ISOLATORS

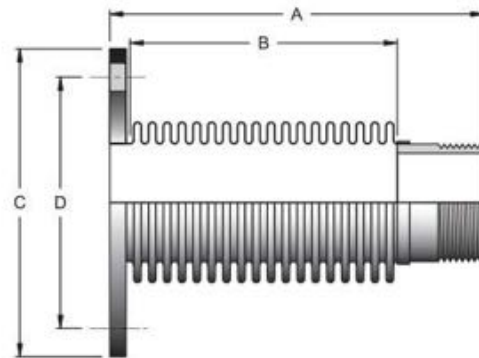
## TYPE 2 - MALE NPT X MALE NPT

T-321 STAINLESS STEEL BELLOWS / FLEX  
SCHD. 40 MALE NPT EACH END



## TYPE 3 - FIXED FLANGE X MALE NPT

T-321 STAINLESS STEEL BELLOWS & FLEX  
125-150#, ANSI A 36 STEEL FLANGE ONE END  
SCHD. 40, CARBON STEEL MALE NPT ONE END



## TYPE 2 - MULTI-PLY BELLOWS

SIZE	A	B	C	C/S NPT	S/S NPT
1"	10.00	6.00	1.00	2M0100-10	2M0100-10H
1-1/4"	10.00	6.00	1.25	2M0125-10	2M0125-10H
1-1/2"	10.00	6.00	1.50	2M0150-10	2M0150-10H
2"	11.00	6.00	2.00	2M0200-11	2M0200-11H
2-1/2"	12.00	6.00	2.50	2M0250-12	2M0250-12H
3"	15.00	9.00	3.00	2M0300-15	2M0300-15H
3-1/2"	17.00	9.00	3.50	2M0350-17	2M0350-17H
4"	17.00	9.00	4.00	2M0400-17	2M0400-17H
5"	17.00	9.00	5.00	2M0500-17	2M0500-17H
6"	17.00	9.00	6.00	2M0600-17	2M0600-17H
8"	17.00	9.00	8.00	2M0800-17	2M0800-17H

## TYPE 3 - MULTI-PLY BELLOWS

SIZE	A	B	C	D	HOLES	DIA	PART NO.
2"	9.00	6.00	6.00	4.75	4	0.75	3M0200-9
2-1/2"	9.50	6.00	7.00	5.50	4	0.75	3M0250-9.5
3"	12.50	9.00	7.50	6.00	4	0.75	3M0300-12.5
3-1/2"	13.50	9.00	8.50	7.00	8	0.75	3M0350-13.5
4"	13.50	9.00	9.00	7.50	8	0.75	3M0400-13.5
5"	13.50	9.00	10.00	8.50	8	0.88	3M0500-13.5
6"	13.50	9.00	11.00	9.50	8	0.88	3M0600-13.5
8"	13.50	9.00	13.50	11.75	8	0.88	3M0800-13.5

## TYPE 2 - SINGLE-PLY BELLOWS

SIZE	A	B	C	C/S NPT	S/S NPT
1"	10.00	6.00	1.00	2S0100-10	2S0100-10H
1-1/4"	10.00	6.00	1.25	2S0125-10	2S0125-10H
1-1/2"	10.00	6.00	1.50	2S0150-10	2S0150-10H
2"	11.00	6.00	2.00	2S0200-11	2S0200-11H
2-1/2"	12.00	6.00	2.50	2S0250-12	2S0250-12H
3"	15.00	9.00	3.00	2S0300-15	2S0300-15H
3-1/2"	17.00	9.00	3.50	2S0350-17	2S0350-17H
4"	17.00	9.00	4.00	2S0400-17	2S0400-17H
5"	17.00	9.00	5.00	2S0500-17	2S0500-17H
6"	17.00	9.00	6.00	2S0600-17	2S0600-17H
8"	17.00	9.00	8.00	2S0800-17	2S0800-17H

## TYPE 3 - SINGLE-PLY BELLOWS

SIZE	A	B	C	D	HOLES	DIA	PART NO.
2"	9.00	6.00	6.00	4.75	4	0.75	3S0200-9
2-1/2"	9.50	6.00	7.00	5.50	4	0.75	3S0250-9.5
3"	12.50	9.00	7.50	6.00	4	0.75	3S0300-12.5
3-1/2"	13.50	9.00	8.50	7.00	8	0.75	3S0350-13.5
4"	13.50	9.00	9.00	7.50	8	0.75	3S0400-13.5
5"	13.50	9.00	10.00	8.50	8	0.88	3S0500-13.5
6"	13.50	9.00	11.00	9.50	8	0.88	3S0600-13.5
8"	13.50	9.00	13.50	11.75	8	0.88	3S0800-13.5

## TYPE 2 - FLEX HOSE

SIZE	A	B	C	C/S NPT	S/S NPT
1"	16.00	12.00	1.00	2F0100-16	2F0100-16H
1-1/4"	16.00	12.00	1.25	2F0125-16	2F0125-16H
1-1/2"	16.00	12.00	1.50	2F0150-16	2F0150-16H
2"	17.00	12.00	2.00	2F0200-17	2F0200-17H
2-1/2"	18.00	12.00	2.50	2F0250-18	2F0250-18H
3"	23.00	17.00	3.00	2F0300-23	2F0300-23H
3-1/2"	25.00	17.00	3.50	2F0350-25	2F0350-25H
4"	25.00	17.00	4.00	2F0400-25	2F0400-25H
5"	25.00	17.00	5.00	2F0500-25	2F0500-25H
6"	25.00	17.00	6.00	2F0600-25	2F0600-25H
8"	25.00	17.00	8.00	2F0800-25	2F0800-25H

## TYPE 3 - FLEX HOSE

SIZE	A	B	C	D	HOLES	DIA	PART NO.
2"	15.00	12.00	6.00	4.75	4	0.75	3F0200-15
2-1/2"	15.50	12.00	7.00	5.50	4	0.75	3F0250-15.5
3"	20.50	17.00	7.50	6.00	4	0.75	3F0300-20.5
3-1/2"	21.50	17.00	8.50	7.00	8	0.75	3F0350-21.5
4"	21.50	17.00	9.00	7.50	8	0.75	3F0400-21.5
5"	21.50	17.00	10.00	8.50	8	0.88	3F0500-21.5
6"	21.50	17.00	11.00	9.50	8	0.88	3F0600-21.5
8"	21.50	17.00	13.50	11.75	8	0.88	3F0800-21.5

### OPTIONS:

- Longer / Shorter Lengths
- T-321 Stainless Steel Flow Liners
- Inconel 625 Bellows

### OPTIONS:

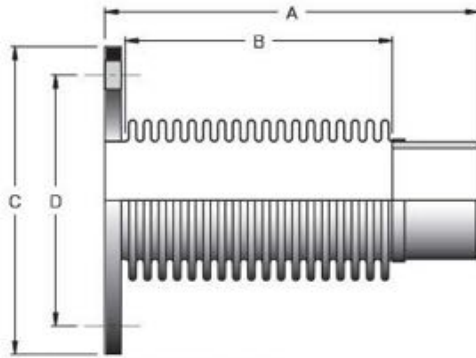
- Longer / Shorter Lengths
- Special Drilled / Metric Flanges
- T-304, T-316, and T-321 Stainless Steel Fittings
- Inconel 625 and Alloy "X" Bellows
- Flow Liner
- Increasing Outlet Flange

See pages 4-6 for bellows and flex hose specifications.



## TYPE 4 - FIXED FLANGE X BEVELED WELD END

T-321 STAINLESS STEEL BELLOWS & FLEX  
125-150# ANSI A-36 STEEL FLANGE ONE END  
SCHD. 40, CARBON STEEL BEVELED WELD END ONE END



### TYPE 4 - MULTI-PLY BELLOWS

SIZE	A	B	C	D	HOLES	DIA	PART NO.
2"	9.00	6.00	6.00	4.75	4	0.75	4M0200-9
2-1/2"	9.00	6.00	7.00	5.50	4	0.75	4M0250-9
3"	12.00	9.00	7.50	6.00	4	0.75	4M0300-12
3-1/2"	12.00	9.00	8.50	7.00	8	0.75	4M0350-12
4"	12.00	9.00	9.00	7.50	8	0.75	4M0400-12
5"	12.00	9.00	10.00	8.50	8	0.88	4M0500-12
6"	12.00	9.00	11.00	9.50	8	0.88	4M0600-12
8"	12.00	9.00	13.50	11.75	8	0.88	4M0800-12

### TYPE 4 - SINGLE-PLY BELLOWS

SIZE	A	B	C	D	HOLES	DIA	PART NO.
2"	9.00	6.00	6.00	4.75	4	0.75	4S0200-9
2-1/2"	9.00	6.00	7.00	5.50	4	0.75	4S0250-9
3"	12.00	9.00	7.50	6.00	4	0.75	4S0300-12
3-1/2"	12.00	9.00	8.50	7.00	8	0.75	4S0350-12
4"	12.00	9.00	9.00	7.50	8	0.75	4S0400-12
5"	12.00	9.00	10.00	8.50	8	0.88	4S0500-12
6"	12.00	9.00	11.00	9.50	8	0.88	4S0600-12
8"	12.00	9.00	13.50	11.75	8	0.88	4S0800-12

### TYPE 4 - FLEX HOSE

SIZE	A	B	C	D	HOLES	DIA	PART NO.
2"	15.00	12.00	6.00	4.75	4	0.75	4F0200-15
2-1/2"	15.00	12.00	7.00	5.50	4	0.75	4F0250-15
3"	20.00	17.00	7.50	6.00	4	0.75	4F0300-20
3-1/2"	20.00	17.00	8.50	7.00	8	0.75	4F0350-20
4"	20.00	17.00	9.00	7.50	8	0.75	4F0400-20
5"	20.00	17.00	10.00	8.50	8	0.88	4F0500-20
6"	20.00	17.00	11.00	9.50	8	0.88	4F0600-20
8"	20.00	17.00	13.50	11.75	8	0.88	4F0800-20

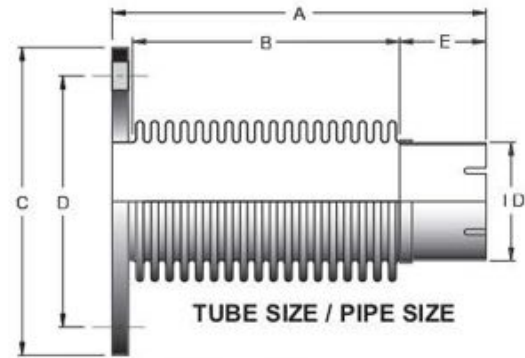
#### OPTIONS:

- Longer / Shorter Lengths
- Special Drilled / Metric Flanges
- T-304, T-316, and T-321 Stainless Steel Fittings
- Inconel 625 and Alloy "X" Bellows
- Flow Liner
- Increasing Outlet Flange

See pages 4-6 for bellows and flex hose specifications.

## TYPE 5T - FIXED FLANGE X SLOTTED CUFF

T-321 STAINLESS STEEL BELLOWS & FLEX  
125-150# ANSI A 36 STEEL FLANGE ONE END  
CARBON STEEL TUBE SIZE SLOTTED CUFF



### TYPE 5T - MULTI-PLY BELLOWS

SIZE	A	B	C	D	E	I.D.	PART NO.
2"	10.50	6.00	6.00	4.75	4.00	2.04	5M0200-10.5T
2-1/2"	10.50	6.00	7.00	5.50	4.00	2.54	5M0250-10.5T
3"	13.50	9.00	7.50	6.00	4.00	3.04	5M0300-13.5T
3-1/2"	13.50	9.00	8.50	7.00	4.00	3.54	5M0350-13.5T
4"	13.50	9.00	9.00	7.50	4.00	4.04	5M0400-13.5T
5"	13.50	9.00	10.00	8.50	4.00	5.04	5M0500-13.5T
6"	13.50	9.00	11.00	9.50	4.00	6.04	5M0600-13.5T
8"	13.50	9.00	13.50	11.75	4.00	8.04	5M0800-13.5T
10"	13.50	9.00	16.00	14.25	4.00	10.04	5M1000-13.5T
12"	13.50	9.00	19.00	17.00	4.00	12.04	5M1200-13.5T

### TYPE 5T - SINGLE-PLY BELLOWS

SIZE	A	B	C	D	E	I.D.	PART NO.
2"	10.50	6.00	6.00	4.75	4.00	2.04	5S0200-10.5T
2-1/2"	10.50	6.00	7.00	5.50	4.00	2.54	5S0250-10.5T
3"	13.50	9.00	7.50	6.00	4.00	3.04	5S0300-13.5T
3-1/2"	13.50	9.00	8.50	7.00	4.00	3.54	5S0350-13.5T
4"	13.50	9.00	9.00	7.50	4.00	4.04	5S0400-13.5T
5"	13.50	9.00	10.00	8.50	4.00	5.04	5S0500-13.5T
6"	13.50	9.00	11.00	9.50	4.00	6.04	5S0600-13.5T
8"	13.50	9.00	13.50	11.75	4.00	8.04	5S0800-13.5T
10"	13.50	9.00	16.00	14.25	4.00	10.04	5S1000-13.5T
12"	13.50	9.00	19.00	17.00	4.00	12.04	5S1200-13.5T

### TYPE 5T - FLEX HOSE

SIZE	A	B	C	D	E	I.D.	PART NO.
2"	16.50	12.00	6.00	4.75	4.00	2.04	5F0200-16.5T
2-1/2"	16.50	12.00	7.00	5.50	4.00	2.54	5F0250-16.5T
3"	21.50	17.00	7.50	6.00	4.00	3.04	5F0300-21.5T
3-1/2"	21.50	17.00	8.50	7.00	4.00	3.54	5F0350-21.5T
4"	21.50	17.00	9.00	7.50	4.00	4.04	5F0400-21.5T
5"	21.50	17.00	10.00	8.50	4.00	5.04	5F0500-21.5T
6"	21.50	17.00	11.00	9.50	4.00	6.04	5F0600-21.5T
8"	21.50	17.00	13.50	11.75	4.00	8.04	5F0800-21.5T
10"	21.50	17.00	16.00	14.25	4.00	10.04	5F1000-21.5T
12"	21.50	17.00	19.00	17.00	4.00	12.04	5F1200-21.5T

#### OPTIONS:

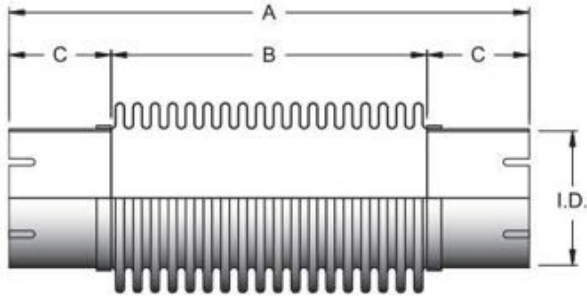
- Longer / Shorter Lengths



# VIBRATION ISOLATORS

## TYPE 9T - SLOTTED CUFF EACH END

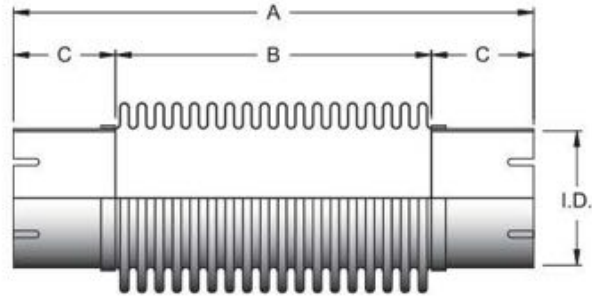
T-321 STAINLESS STEEL BELLOWS & FLEX  
TUBE SIZE SLOTTED CUFF EACH END



TUBE SIZE

## TYPE 9P - SLOTTED CUFF EACH END

T-321 STAINLESS STEEL BELLOWS & FLEX  
PIPE SIZE SLOTTED CUFF EACH END



PIPE SIZE

## TYPE 9T - MULTI-PLY BELLOWS

SIZE	A	B	C	I.D.	C/S CUFF	S/S CUFF
1-1/2"	14.00	6.00	4.00	1.54	9M0150-14T	9M0150-14HT
2"	14.00	6.00	4.00	2.04	9M0200-14T	9M0200-14HT
2-1/2"	14.00	6.00	4.00	2.54	9M0250-14T	9M0250-14HT
3"	17.00	9.00	4.00	3.04	9M0300-17T	9M0300-17HT
3-1/2"	17.00	9.00	4.00	3.54	9M0350-17T	9M0350-17HT
4"	17.00	9.00	4.00	4.04	9M0400-17T	9M0400-17HT
5"	17.00	9.00	4.00	5.04	9M0500-17T	9M0500-17HT
6"	17.00	9.00	4.00	6.04	9M0600-17T	9M0600-17HT
8"	17.00	9.00	4.00	8.04	9M0800-17T	9M0800-17HT
10"	17.00	9.00	4.00	10.04	9M1000-17T	9M1000-17HT
12"	17.00	9.00	4.00	12.04	9M1200-17T	9M1200-17HT

## TYPE 9P - MULTI-PLY BELLOWS

SIZE	A	B	C	I.D.	C/S CUFF	S/S CUFF
1-1/2"	14.00	6.00	4.00	1.92	9M0150-14P	9M0150-14HP
2"	14.00	6.00	4.00	2.42	9M0200-14P	9M0200-14HP
2-1/2"	14.00	6.00	4.00	2.92	9M0250-14P	9M0250-14HP
3"	17.00	9.00	4.00	3.54	9M0300-17P	9M0300-17HP
3-1/2"	17.00	9.00	4.00	4.04	9M0350-17P	9M0350-17HP
4"	17.00	9.00	4.00	4.54	9M0400-17P	9M0400-17HP
5"	17.00	9.00	4.00	5.62	9M0500-17P	9M0500-17HP
6"	17.00	9.00	4.00	6.67	9M0600-17P	9M0600-17HP
8"	17.00	9.00	4.00	8.67	9M0800-17P	9M0800-17HP
10"	17.00	9.00	4.00	10.79	9M1000-17P	9M1000-17HP
12"	17.00	9.00	4.00	12.79	9M1200-17P	9M1200-17HP

## TYPE 9T - SINGLE-PLY BELLOWS

SIZE	A	B	C	I.D.	C/S CUFF	S/S CUFF
1-1/2"	14.00	6.00	4.00	1.54	9S0150-14T	9S0150-14HT
2"	14.00	6.00	4.00	2.04	9S0200-14T	9S0200-14HT
2-1/2"	14.00	6.00	4.00	2.54	9S0250-14T	9S0250-14HT
3"	17.00	9.00	4.00	3.04	9S0300-17T	9S0300-17HT
3-1/2"	17.00	9.00	4.00	3.54	9S0350-17T	9S0350-17HT
4"	17.00	9.00	4.00	4.04	9S0400-17T	9S0400-17HT
5"	17.00	9.00	4.00	5.04	9S0500-17T	9S0500-17HT
6"	17.00	9.00	4.00	6.04	9S0600-17T	9S0600-17HT
8"	17.00	9.00	4.00	8.04	9S0800-17T	9S0800-17HT
10"	17.00	9.00	4.00	10.04	9S1000-17T	9S1000-17HT
12"	17.00	9.00	4.00	12.04	9S1200-17T	9S1200-17HT

## TYPE 9P - SINGLE-PLY BELLOWS

SIZE	A	B	C	I.D.	C/S CUFF	S/S CUFF
1-1/2"	14.00	6.00	4.00	1.92	9S0150-14P	9S0150-14HP
2"	14.00	6.00	4.00	2.42	9S0200-14P	9S0200-14HP
2-1/2"	14.00	6.00	4.00	2.92	9S0250-14P	9S0250-14HP
3"	17.00	9.00	4.00	3.54	9S0300-17P	9S0300-17HP
3-1/2"	17.00	9.00	4.00	4.04	9S0350-17P	9S0350-17HP
4"	17.00	9.00	4.00	4.54	9S0400-17P	9S0400-17HP
5"	17.00	9.00	4.00	5.62	9S0500-17P	9S0500-17HP
6"	17.00	9.00	4.00	6.67	9S0600-17P	9S0600-17HP
8"	17.00	9.00	4.00	8.67	9S0800-17P	9S0800-17HP
10"	17.00	9.00	4.00	10.79	9S1000-17P	9S1000-17HP
12"	17.00	9.00	4.00	12.79	9S1200-17P	9S1200-17HP

## TYPE 9T - FLEX HOSE

SIZE	A	B	C	I.D.	C/S CUFF	S/S CUFF
1-1/2"	20.00	12.00	4.00	1.54	9F0150-20T	9F0150-20HT
2"	20.00	12.00	4.00	2.04	9F0200-20T	9F0200-20HT
2-1/2"	20.00	12.00	4.00	2.54	9F0250-20T	9F0250-20HT
3"	25.00	17.00	4.00	3.04	9F0300-25T	9F0300-25HT
3-1/2"	25.00	17.00	4.00	3.54	9F0350-25T	9F0350-25HT
4"	25.00	17.00	4.00	4.04	9F0400-25T	9F0400-25HT
5"	25.00	17.00	4.00	5.04	9F0500-25T	9F0500-25HT
6"	25.00	17.00	4.00	6.04	9F0600-25T	9F0600-25HT
8"	25.00	17.00	4.00	8.04	9F0800-25T	9F0800-25HT
10"	25.00	17.00	4.00	10.04	9F1000-25T	9F1000-25HT
12"	25.00	17.00	4.00	12.04	9F1200-25T	9F1200-25HT

## TYPE 9P - FLEX HOSE

SIZE	A	B	C	I.D.	C/S CUFF	S/S CUFF
1-1/2"	20.00	12.00	4.00	1.92	9F0150-20P	9F0150-20HP
2"	20.00	12.00	4.00	2.42	9F0200-20P	9F0200-20HP
2-1/2"	20.00	12.00	4.00	2.92	9F0250-20P	9F0250-20HP
3"	25.00	17.00	4.00	3.54	9F0300-25P	9F0300-25HP
3-1/2"	25.00	17.00	4.00	4.04	9F0350-25P	9F0350-25HP
4"	25.00	17.00	4.00	4.54	9F0400-25P	9F0400-25HP
5"	25.00	17.00	4.00	5.62	9F0500-25P	9F0500-25HP
6"	25.00	17.00	4.00	6.67	9F0600-25P	9F0600-25HP
8"	25.00	17.00	4.00	8.67	9F0800-25P	9F0800-25HP
10"	25.00	17.00	4.00	10.79	9F1000-25P	9F1000-25HP
12"	25.00	17.00	4.00	12.79	9F1200-25P	9F1200-25HP

### OPTIONS:

- Longer / Shorter Lengths
- T-304, T-316, and T-321 Stainless Steel Fittings
- T-321 Stainless Steel Flow Liners
- Inconel 625 and Alloy "X" Bellows

See pages 4-6 for bellows and flex hose specifications.

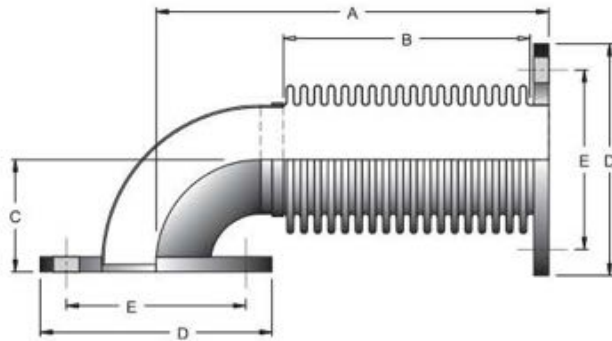
### NOTES:

- Available Without Slots On Request
- Stainless Steel Cuffs are T-304 Stainless Steel



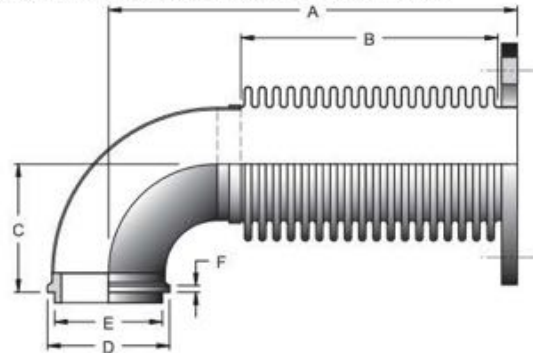
## TYPE 10 - FLANGED 90 DEG. ELBOW X FLANGE

T-321 STAINLESS STEEL BELLOWS / FLEX  
125-150#, ANSI A-36 STEEL FLANGE EACH END  
CARBON STEEL 90 DEGREE SHORT RADIUS ELBOW



## TYPE 11 - FLANGE X 90 DEG. TURBO FLANGE

T-321 STAINLESS STEEL BELLOWS / FLEX  
125-150# ANSI A-36 STEEL FLANGE ONE END  
DETROIT TURBO FLANGE OTHER END  
CARBON STEEL 90 DEGREE SHORT RADIUS ELBOW



### TYPE 10 - MULTI-PLY BELLOWS

SIZE	A	B	C	D	E	DIA.	PART NO.
3"	13.75	9.00	3.50	7.50	6.00	0.75	10M0300-13.75
3-1/2"	14.25	9.00	4.00	8.50	7.00	0.75	10M0350-14.25
4"	14.75	9.00	4.50	9.00	7.50	0.75	10M0400-14.75
5"	16.25	9.00	6.00	10.00	8.50	0.88	10M0500-16.25
6"	16.75	9.00	6.50	11.00	9.50	0.88	10M0600-16.75
8"	20.75	9.00	10.38	13.50	11.75	0.88	10M0800-20.75
10"	21.75	9.00	11.50	16.00	14.25	1.00	10M1000-21.75
12"	22.75	9.00	12.50	19.00	17.00	1.00	10M1200-22.75

### TYPE 11 - MULTI-PLY BELLOWS

SIZE	A	B	C	D	E	F	PART NO.
3-1/2"	14.25	9.00	4.25	4.00	3.49	0.22	11M0350-14.25
4"	14.75	9.00	4.75	4.00	3.49	0.22	11M0400-14.75
5"	16.25	9.00	6.25	5.15	4.54	0.22	11M0500-16.25
6"	16.75	9.00	6.75	5.15	4.54	0.22	11M0600-16.75

### TYPE 10 - SINGLE-PLY BELLOWS

SIZE	A	B	C	D	E	DIA.	PART NO.
3"	13.75	9.00	3.50	7.50	6.00	0.75	10S0300-13.75
3-1/2"	14.25	9.00	4.00	8.50	7.00	0.75	10S0350-14.25
4"	14.75	9.00	4.50	9.00	7.50	0.75	10S0400-14.75
5"	16.25	9.00	6.00	10.00	8.50	0.88	10S0500-16.25
6"	16.75	9.00	6.50	11.00	9.50	0.88	10S0600-16.75
8"	20.75	9.00	10.38	13.50	11.75	0.88	10S0800-20.75
10"	21.75	9.00	11.50	16.00	14.25	1.00	10S1000-21.75
12"	22.75	9.00	12.50	19.00	17.00	1.00	10S1200-22.75

### TYPE 11 - SINGLE-PLY BELLOWS

SIZE	A	B	C	D	E	F	PART NO.
3-1/2"	14.25	9.00	4.25	4.00	3.49	0.22	11S0350-14.25
4"	14.75	9.00	4.75	4.00	3.49	0.22	11S0400-14.75
5"	16.25	9.00	6.25	5.15	4.54	0.22	11S0500-16.25
6"	16.75	9.00	6.75	5.15	4.54	0.22	11S0600-16.75

### TYPE 10 - FLEX HOSE

SIZE	A	B	C	D	E	DIA.	PART NO.
3"	20.75	17.00	3.50	7.50	6.00	0.75	10F0300-20.75
3-1/2"	21.25	17.00	4.00	8.50	7.00	0.75	10F0350-21.25
4"	21.75	17.00	4.50	9.00	7.50	0.75	10F0400-21.75
5"	23.25	17.00	6.00	10.00	8.50	0.88	10F0500-23.25
6"	23.75	17.00	6.50	11.00	9.50	0.88	10F0600-23.75
8"	27.75	17.00	10.38	13.50	11.75	0.88	10F0800-27.75
10"	28.75	17.00	11.50	16.00	14.25	1.00	10F1000-28.75
12"	29.75	17.00	12.50	19.00	17.00	1.00	10F1200-29.75

### TYPE 11 - FLEX HOSE

SIZE	A	B	C	D	E	F	PART NO.
3-1/2"	22.25	17.00	4.25	4.00	3.49	0.22	11F0350-22.25
4"	22.75	17.00	4.75	4.00	3.49	0.22	11F0400-22.75
5"	24.25	17.00	6.25	5.15	4.54	0.22	11F0500-24.25
6"	24.75	17.00	6.75	5.15	4.54	0.22	11F0600-24.75

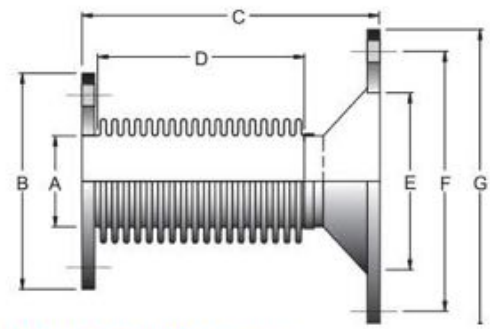
#### OPTIONS:

- Longer / Shorter Lengths
- Special Drilled / Metric Flanges
- T-304, T-316, and T-321 Stainless Steel Flanges
- Inconel 625 and Alloy "X" Bellows
- Flow Liner
- Increasing Outlet Flange

See pages 4-6 for bellows and flex hose specifications.



# VIBRATION ISOLATORS



## TYPE 12 - FLANGE X CONE INCREASER FLANGE

T-321 STAINLESS STEEL BELLOWS / FLEX  
 125/150# ANSI A-36 STEEL INLET FLANGE  
 T-321 STAINLESS STEEL CONE TRANSITION  
 125/150# ANSI A-36 STEEL OUTLET FLANGE

### OPTIONS:

- Longer / Shorter Lengths
- Inconel 625 Bellows
- Special Drilled / Metric Flanges
- Flow Liner
- Cummins and Detroit Flanges
- T-304, T-316, and T-321 Stainless Steel Flanges

## TYPE 12 - MULTI-PLY BELLOWS

INLET FLANGE				INCREASE OUTLET 1 SIZE				INCREASE OUTLET 2 SIZES			
A	B	C	D	E	F	G	PART NO.	E	F	G	PART NO.
3"	7.50	14.00	9.00	4"	7.50	9.00	12M0300-4-14	5"	9.00	10.00	12M0300-5-14
3.50"	8.50	14.00	9.00	4"	7.50	9.00	12M0350-4-14	5"	8.50	10.00	12M0350-5-14
4"	9.00	14.00	9.00	5"	8.50	10.00	12M0400-5-14	6"	9.50	11.00	12M0400-6-14
5"	10.00	14.00	9.00	6"	9.50	11.00	12M0500-6-14	8"	11.75	13.50	12M0500-8-14
6"	11.00	14.00	9.00	8"	11.75	13.50	12M0600-8-14	10"	14.25	16.00	12M0600-10-14
8"	13.50	14.00	9.00	10"	14.25	16.00	12M0800-10-14	12"	17.00	19.00	12M0800-12-14
10"	16.00	14.00	9.00	12"	17.00	19.00	12M1000-12-14	14"	18.75	21.00	12M1000-14-14
12"	19.00	14.00	9.00	14"	18.75	21.00	12M1200-14-14	16"	21.25	23.50	12M1200-16-14
14"	21.00	14.00	9.00	16"	21.25	23.50	12M1400-16-14	18"	22.75	25.00	12M1400-18-14
16"	23.50	14.00	9.00	18"	22.75	25.00	12M1600-18-14	20"	25.00	27.50	12M1600-20-14
18"	25.00	14.00	9.00	20"	25.00	27.50	12M1800-20-14	22"	27.25	29.50	12M1800-22-14
20"	27.50	14.00	9.00	22"	27.25	29.50	12M2000-22-14	24"	29.50	32.00	12M2000-24-14
22"	29.50	14.00	9.00	24"	29.50	32.00	12M2200-24-14	26"	31.75	34.25	12M2200-26-14
24"	32.00	14.00	9.00	26"	31.75	34.25	12M2400-26-14	30"	36.00	38.75	12M2400-30-14

## TYPE 12 - SINGLE-PLY BELLOWS

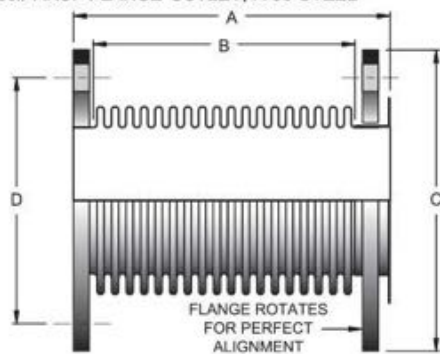
INLET FLANGE				INCREASE OUTLET 1 SIZE				INCREASE OUTLET 2 SIZES			
A	B	C	D	E	F	G	PART NO.	E	F	G	PART NO.
3"	7.50	14.00	9.00	4"	7.50	9.00	12S0300-4-14	5"	9.00	10.00	12S0300-5-14
3.50"	8.50	14.00	9.00	4"	7.50	9.00	12S0350-4-14	5"	8.50	10.00	12S0350-5-14
4"	9.00	14.00	9.00	5"	8.50	10.00	12S0400-5-14	6"	9.50	11.00	12S0400-6-14
5"	10.00	14.00	9.00	6"	9.50	11.00	12S0500-6-14	8"	11.75	13.50	12S0500-8-14
6"	11.00	14.00	9.00	8"	11.75	13.50	12S0600-8-14	10"	14.25	16.00	12S0600-10-14
8"	13.50	14.00	9.00	10"	14.25	16.00	12S0800-10-14	12"	17.00	19.00	12S0800-12-14
10"	16.00	14.00	9.00	12"	17.00	19.00	12S1000-12-14	14"	18.75	21.00	12S1000-14-14
12"	19.00	14.00	9.00	14"	18.75	21.00	12S1200-14-14	16"	21.25	23.50	12S1200-16-14
14"	21.00	14.00	9.00	16"	21.25	23.50	12S1400-16-14	18"	22.75	25.00	12S1400-18-14
16"	23.50	14.00	9.00	18"	22.75	25.00	12S1600-18-14	20"	25.00	27.50	12S1600-20-14
18"	25.00	14.00	9.00	20"	25.00	27.50	12S1800-20-14	22"	27.25	29.50	12S1800-22-14
20"	27.50	14.00	9.00	22"	27.25	29.50	12S2000-22-14	24"	29.50	32.00	12S2000-24-14
22"	29.50	14.00	9.00	24"	29.50	32.00	12S2200-24-14	26"	31.75	34.25	12S2200-26-14
24"	32.00	14.00	9.00	26"	31.75	34.25	12S2400-26-14	30"	36.00	38.75	12S2400-30-14

## TYPE 12 - FLEX HOSE

INLET FLANGE				INCREASE OUTLET 1 SIZE				INCREASE OUTLET 2 SIZES			
A	B	C	D	E	F	G	PART NO.	E	F	G	PART NO.
3"	7.50	21.00	17.00	4"	7.50	9.00	12F0300-4-21	5"	9.00	10.00	12F0300-5-21
3.50"	8.50	21.00	17.00	4"	7.50	9.00	12F0350-4-21	5"	8.50	10.00	12F0350-5-21
4"	9.00	21.00	17.00	5"	8.50	10.00	12F0400-5-21	6"	9.50	11.00	12F0400-6-21
5"	10.00	21.00	17.00	6"	9.50	11.00	12F0500-6-21	8"	11.75	13.50	12F0500-8-21
6"	11.00	21.00	17.00	8"	11.75	13.50	12F0600-8-21	10"	14.25	16.00	12F0600-10-21
8"	13.50	21.00	17.00	10"	14.25	16.00	12F0800-10-21	12"	17.00	19.00	12F0800-12-21
10"	16.00	21.00	17.00	12"	17.00	19.00	12F1000-12-21	14"	18.75	21.00	12F1000-14-21
12"	19.00	21.00	17.00	14"	18.75	21.00	12F1200-14-21	16"	21.25	23.50	12F1200-16-21
14"	21.00	21.00	17.00	16"	21.25	23.50	12F1400-16-21	18"	22.75	25.00	12F1400-18-21
16"	23.50	21.00	17.00	18"	22.75	25.00	12F1600-18-21	20"	25.00	27.50	12F1600-20-21
18"	25.00	21.00	17.00	20"	25.00	27.50	12F1800-20-21	22"	27.25	29.50	12F1800-22-21

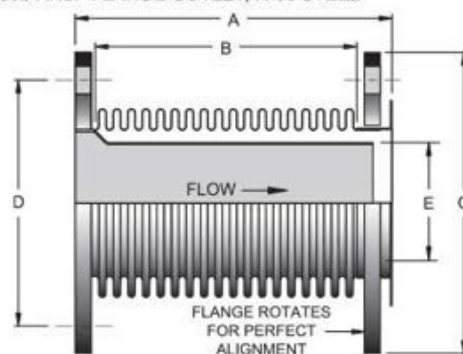
**TYPE 13 - FIXED X FLOATING FLANGES (ANSI)**

T-321 STAINLESS STEEL BELLOWS / FLEX  
 125-150# ANSI FLANGE INLET, A-36 STEEL  
 125-150# ANSI FLANGE OUTLET, A-36 STEEL



**TYPE 13L - FIXED X FLOATING FLANGES (ANSI)**

T-321 S/S BELLOWS / FLEX WITH INTERNAL FLOW LINER  
 125-150# ANSI FLANGE INLET, A-36 STEEL  
 125-150# ANSI FLANGE OUTLET, A-36 STEEL



**TYPE 13 - MULTI-PLY BELLOWS**

SIZE	A	B	C	D	HOLES	DIA	PART NO.
3"	12.00	9.00	7.50	6.00	4	0.75	13M0300-12
3-1/2"	12.00	9.00	8.50	7.00	8	0.75	13M0350-12
4"	12.00	9.00	9.00	7.50	8	0.75	13M0400-12
5"	12.00	9.00	10.00	8.50	8	0.88	13M0500-12
6"	12.00	9.00	11.00	9.50	8	0.88	13M0600-12
8"	12.00	9.00	13.50	11.75	8	0.88	13M0800-12
10"	12.00	9.00	16.00	14.25	12	1.00	13M1000-12
12"	12.00	9.00	19.00	17.00	12	1.00	13M1200-12
14"	12.00	9.00	21.00	18.75	12	1.13	13M1400-12
16"	12.00	9.00	23.50	21.25	16	1.13	13M1600-12
18"	12.00	9.00	25.50	22.75	16	1.25	13M1800-12
20"	12.00	9.00	27.50	25.00	20	1.25	13M2000-12
22"	12.00	9.00	29.50	27.25	20	1.38	13M2200-12
24"	12.00	9.00	32.00	29.50	20	1.38	13M2400-12

**TYPE 13L - MULTI-PLY BELLOWS WITH LINER**

SIZE	I.D.	A	B	C	D	E	PART NO.
3"	3.50	12.00	9.00	7.50	6.00	2.88	13M0300-12L
3-1/2"	4.00	12.00	9.00	8.50	7.00	3.38	13M0350-12L
4"	4.50	12.00	9.00	9.00	7.50	3.88	13M0400-12L
5"	5.56	12.00	9.00	10.00	8.50	4.75	13M0500-12L
6"	6.63	12.00	9.00	11.00	9.50	5.75	13M0600-12L
8"	8.63	12.00	9.00	13.50	11.75	7.75	13M0800-12L
10"	10.75	12.00	9.00	16.00	14.25	9.88	13M1000-12L
12"	12.75	12.00	9.00	19.00	17.00	11.88	13M1200-12L
14"	14.00	12.00	9.00	21.00	18.75	13.00	13M1400-12L
16"	16.00	12.00	9.00	23.50	21.25	15.00	13M1600-12L
18"	18.00	12.00	9.00	25.50	22.75	17.00	13M1800-12L
20"	20.00	12.00	9.00	27.50	25.00	19.00	13M2000-12L
22"	22.00	12.00	9.00	29.50	27.25	21.00	13M2200-12L
24"	24.00	12.00	9.00	32.00	29.50	23.00	13M2400-12L

**TYPE 13 - SINGLE-PLY BELLOWS**

SIZE	A	B	C	D	HOLES	DIA	PART NO.
3"	12.00	9.00	7.50	6.00	4	0.75	13S0300-12
3-1/2"	12.00	9.00	8.50	7.00	8	0.75	13S0350-12
4"	12.00	9.00	9.00	7.50	8	0.75	13S0400-12
5"	12.00	9.00	10.00	8.50	8	0.88	13S0500-12
6"	12.00	9.00	11.00	9.50	8	0.88	13S0600-12
8"	12.00	9.00	13.50	11.75	8	0.88	13S0800-12
10"	12.00	9.00	16.00	14.25	12	1.00	13S1000-12
12"	12.00	9.00	19.00	17.00	12	1.00	13S1200-12
14"	12.00	9.00	21.00	18.75	12	1.13	13S1400-12
16"	12.00	9.00	23.50	21.25	16	1.13	13S1600-12
18"	12.00	9.00	25.50	22.75	16	1.25	13S1800-12
20"	12.00	9.00	27.50	25.00	20	1.25	13S2000-12
22"	12.00	9.00	29.50	27.25	20	1.38	13S2200-12
24"	12.00	9.00	32.00	29.50	20	1.38	13S2400-12

**TYPE 13L - SINGLE-PLY BELLOWS WITH LINER**

SIZE	I.D.	A	B	C	D	E	PART NO.
3"	3.50	12.00	9.00	7.50	6.00	2.88	13S0300-12L
3-1/2"	4.00	12.00	9.00	8.50	7.00	3.38	13S0350-12L
4"	4.50	12.00	9.00	9.00	7.50	3.88	13S0400-12L
5"	5.56	12.00	9.00	10.00	8.50	4.75	13S0500-12L
6"	6.63	12.00	9.00	11.00	9.50	5.75	13S0600-12L
8"	8.63	12.00	9.00	13.50	11.75	7.75	13S0800-12L
10"	10.75	12.00	9.00	16.00	14.25	9.88	13S1000-12L
12"	12.75	12.00	9.00	19.00	17.00	11.88	13S1200-12L
14"	14.00	12.00	9.00	21.00	18.75	13.00	13S1400-12L
16"	16.00	12.00	9.00	23.50	21.25	15.00	13S1600-12L
18"	18.00	12.00	9.00	25.50	22.75	17.00	13S1800-12L
20"	20.00	12.00	9.00	27.50	25.00	19.00	13S2000-12L
22"	22.00	12.00	9.00	29.50	27.25	21.00	13S2200-12L
24"	24.00	12.00	9.00	32.00	29.50	23.00	13S2400-12L

**TYPE 13 - FLEX HOSE**

SIZE	A	B	C	D	HOLES	DIA	PART NO.
3"	20.00	17.00	7.50	6.00	4	0.75	13F0300-20
3-1/2"	20.00	17.00	8.50	7.00	8	0.75	13F0350-20
4"	20.00	17.00	9.00	7.50	8	0.75	13F0400-20
5"	20.00	17.00	10.00	8.50	8	0.88	13F0500-20
6"	20.00	17.00	11.00	9.50	8	0.88	13F0600-20
8"	20.00	17.00	13.50	11.75	8	0.88	13F0800-20
10"	20.00	17.00	16.00	14.25	12	1.00	13F1000-20
12"	20.00	17.00	19.00	17.00	12	1.00	13F1200-20
14"	20.00	17.00	21.00	18.75	12	1.13	13F1400-20
16"	20.00	17.00	23.50	21.25	16	1.13	13F1600-20
18"	20.00	17.00	25.50	22.75	16	1.25	13F1800-20

**OPTIONS:**

- Longer / Shorter Lengths
- Increasing / Reducing Flanges
- Special Drilled / Metric Flanges
- Cummins and Detroit Flanges
- T-304, T-316, and T-321 Stainless Steel Flanges
- Inconel 625 and Alloy "X" Bellows

**NOTES:**

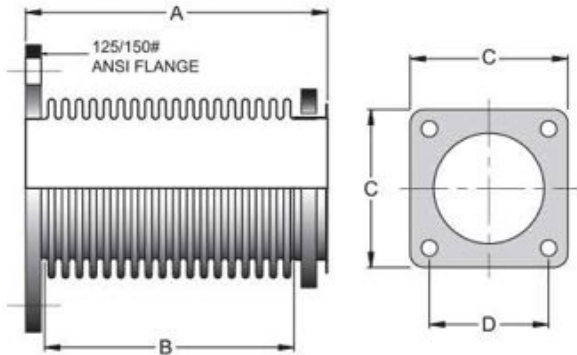
- T-321 Stainless Steel Vanstone (Standard).
- Standard Flow Liner Diameter "E" Limits Lateral Offset to 3/8" For Increased Offset "E" Must Be Reduced.
- Internal Flow Liners are Required if Flow Conditions are Equal or Greater Than the Following:
  - 6" and Under (Gas / Steam) - 4ft/sec/inch of Diameter.
  - 8" and Over (Gas / Steam) - 25ft/sec.

See pages 4-6 for bellows and flex hose specifications.

# VIBRATION ISOLATORS

## TYPE 13C - FLOATING CAT X FIXED ANSI

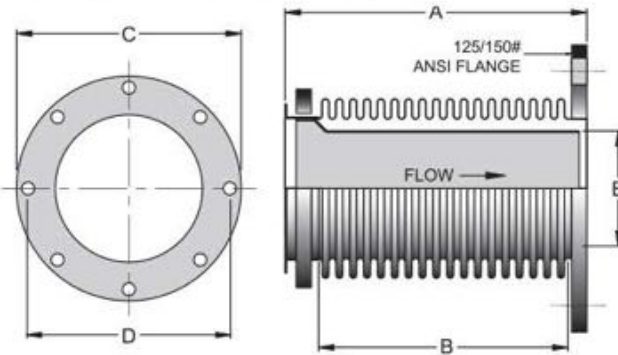
T-321 STAINLESS STEEL BELLOWS / FLEX  
125/150# ANSI A-36 STEEL OUTLET FLANGE  
A-36 STEEL FLOATING CAT INLET FLANGE  
T-321 STAINLESS STEEL VANSTONE STUB END



4", 5", & 6" CAT

## TYPE 13CL - FLOATING CAT X FIXED ANSI

T-321 STAINLESS STEEL BELLOWS / FLEX WITH FLOW LINER  
125/150# ANSI A-36 STEEL OUTLET FLANGE  
A-36 STEEL FLOATING CAT INLET FLANGE  
T-321 STAINLESS STEEL VANSTONE STUB END



8"-18" CAT

## TYPE 13C - MULTI-PLY BELLOWS

SIZE	A	B	C	D	HOLES	DIA	PART NO.
4"	12.00	9.00	5.50	4.15	4	0.56	13M0400-12C
5"	12.00	9.00	6.50	5.00	4	0.75	13M0500-12C
6"	12.00	9.00	8.00	6.00	4	0.88	13M0600-12C
8"	12.00	9.00	11.00	9.88	8	0.56	13M0800-12C
10"	12.00	9.00	13.50	12.44	12	0.50	13M1000-12C
12"	12.00	9.00	15.75	14.81	12	0.50	13M1200-12C
14"	12.00	9.00	17.10	16.13	12	0.50	13M1401-12C
14"	12.00	9.00	17.94	16.94	12	0.56	13M1402-12C
16"	12.00	9.00	23.50	21.25	16	0.81	13M1600-12C
18"	12.00	9.00	21.85	20.88	16	0.54	13M1800-12C

## TYPE 13CL - MULTI-PLY BELLOWS WITH LINER

SIZE	A	B	C	D	E	PART NO.
4"	12.00	9.00	5.50	4.15	3.25	13M0400-12CL
5"	12.00	9.00	6.50	5.00	4.25	13M0500-12CL
6"	12.00	9.00	8.00	6.00	5.25	13M0600-12CL
8"	12.00	9.00	11.00	9.88	7.25	13M0800-12CL
10"	12.00	9.00	13.50	12.44	9.00	13M1000-12CL
12"	12.00	9.00	15.75	14.81	11.00	13M1200-12CL
14"	12.00	9.00	17.10	16.13	13.00	13M1401-12CL
14"	12.00	9.00	17.94	16.94	13.00	13M1402-12CL
16"	12.00	9.00	23.50	21.25	15.00	13M1600-12CL
18"	12.00	9.00	21.85	20.88	17.00	13M1800-12CL

## TYPE 13C - SINGLE-PLY BELLOWS

SIZE	A	B	C	D	HOLES	DIA	PART NO.
4"	12.00	9.00	5.50	4.15	4	0.56	13S0400-12C
5"	12.00	9.00	6.50	5.00	4	0.75	13S0500-12C
6"	12.00	9.00	8.00	6.00	4	0.88	13S0600-12C
8"	12.00	9.00	11.00	9.88	8	0.56	13S0800-12C
10"	12.00	9.00	13.50	12.44	12	0.50	13S1000-12C
12"	12.00	9.00	15.75	14.81	12	0.50	13S1200-12C
14"	12.00	9.00	17.10	16.13	12	0.50	13S1401-12C
14"	12.00	9.00	17.94	16.94	12	0.56	13S1402-12C
16"	12.00	9.00	23.50	21.25	16	0.81	13S1600-12C
18"	12.00	9.00	21.85	20.88	16	0.54	13S1800-12C

## TYPE 13CL - SINGLE-PLY BELLOWS WITH LINER

SIZE	A	B	C	D	E	PART NO.
4"	12.00	9.00	5.50	4.15	3.25	13S0400-12CL
5"	12.00	9.00	6.50	5.00	4.25	13S0500-12CL
6"	12.00	9.00	8.00	6.00	5.25	13S0600-12CL
8"	12.00	9.00	11.00	9.88	7.25	13S0800-12CL
10"	12.00	9.00	13.50	12.44	9.00	13S1000-12CL
12"	12.00	9.00	15.75	14.81	11.00	13S1200-12CL
14"	12.00	9.00	17.10	16.13	13.00	13S1401-12CL
14"	12.00	9.00	17.94	16.94	13.00	13S1402-12CL
16"	12.00	9.00	23.50	21.25	15.00	13S1600-12CL
18"	12.00	9.00	21.85	20.88	17.00	13S1800-12CL

## TYPE 13C - FLEX HOSE

SIZE	A	B	C	D	HOLES	DIA	PART NO.
4"	20.00	17.00	5.50	4.15	4	0.56	13F0400-20C
5"	20.00	17.00	6.50	5.00	4	0.75	13F0500-20C
6"	20.00	17.00	8.00	6.00	4	0.88	13F0600-20C
8"	20.00	17.00	11.00	9.88	8	0.56	13F0800-20C
10"	20.00	17.00	13.50	12.44	12	0.50	13F1000-20C
12"	20.00	17.00	15.75	14.81	12	0.50	13F1200-20C
14"	20.00	17.00	17.10	16.13	12	0.50	13F1401-20C
14"	20.00	17.00	17.94	16.94	12	0.56	13F1402-20C
16"	20.00	17.00	23.50	21.25	16	0.81	13F1600-20C
18"	20.00	17.00	21.85	20.88	16	0.54	13F1800-20C

### OPTIONS:

- Longer / Shorter Lengths
- Increasing / Reducing Flanges
- Special Drilled / Metric Flanges
- T-304, T-316, and T-321 Stainless Steel Flanges
- Inconel 625 and Alloy "X" Bellows

See pages 4-6 for bellows and flex hose specifications.

### NOTES:

- T-321 Stainless Steel Vanstone (Standard).
- Change "C" to "U" for Cummins Inlet Flange, "D" for Detroit Inlet Flange.
- Standard Flow Liner Diameter "E" Limits Lateral Offset to 3/8" For Increased Offset "E" Must Be Reduced.
- Internal Flow Liners are Required if Flow Conditions are Equal or Greater Than the Following:
  - 6" and Under (Gas / Steam) - 4ft/sec/inch of Diameter.
  - 8" and Over (Gas / Steam) - 25ft/sec.







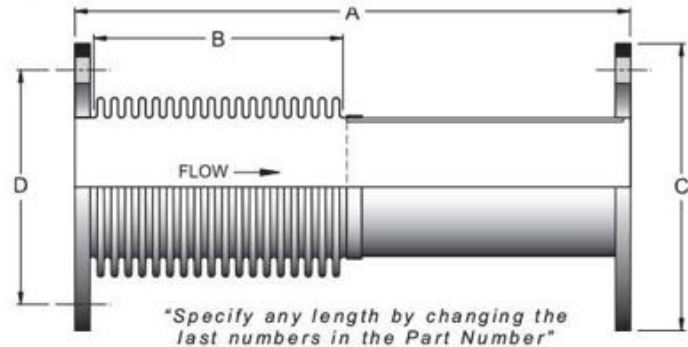
# VIBRATION ISOLATORS

## TYPE 28 - FLANGE X SPACER FLANGE (ANSI)

T-321 STAINLESS STEEL BELLOWS / FLEX  
 125-150# ANSI FLANGE INLET, A-36 STEEL  
 125-150# ANSI FLANGE OUTLET, A-36 STEEL  
 TUBE SPACER, CARBON STEEL

### OPTIONS:

- Longer / Shorter Lengths
- Increasing / Reducing Flanges
- Inconel 625 and Alloy "X" Bellows
- T-304, T-316, and T-321 Stainless Steel Spacer Tube
- Flow Liner



## TYPE 28 - MULTI-PLY BELLOWS

SIZE	24" LONG			36" LONG			48" LONG			ANSI FLANGE DIM.			
	A	B	PART NO.	A	B	PART NO.	A	B	PART NO.	C	D	HOLES	DIA.
3"	24.00	9.00	28M0300-24	36.00	9.00	28M0300-36	48.00	9.00	28M0300-48	7.50	6.00	4	0.75
3-1/2"	24.00	9.00	28M0350-24	36.00	9.00	28M0350-36	48.00	9.00	28M0350-48	8.50	7.00	8	0.75
4"	24.00	9.00	28M0400-24	36.00	9.00	28M0400-36	48.00	9.00	28M0400-48	9.00	7.50	8	0.75
5"	24.00	9.00	28M0500-24	36.00	9.00	28M0500-36	48.00	9.00	28M0500-48	10.00	8.50	8	0.88
6"	24.00	9.00	28M0600-24	36.00	9.00	28M0600-36	48.00	9.00	28M0600-48	11.00	9.50	8	0.88
8"	24.00	9.00	28M0800-24	36.00	9.00	28M0800-36	48.00	9.00	28M0800-48	13.50	11.75	8	0.88
10"	24.00	9.00	28M1000-24	36.00	9.00	28M1000-36	48.00	9.00	28M1000-48	16.00	14.25	12	1.00
12"	24.00	9.00	28M1200-24	36.00	9.00	28M1200-36	48.00	9.00	28M1200-48	19.00	17.00	12	1.00
14"	24.00	9.00	28M1400-24	36.00	9.00	28M1400-36	48.00	9.00	28M1400-48	21.00	18.75	12	1.13
16"	24.00	9.00	28M1600-24	36.00	9.00	28M1600-36	48.00	9.00	28M1600-48	23.20	21.25	16	1.13
18"	24.00	9.00	28M1800-24	36.00	9.00	28M1800-36	48.00	9.00	28M1800-48	25.00	22.75	16	1.25
20"	24.00	9.00	28M2000-24	36.00	9.00	28M2000-36	48.00	9.00	28M2000-48	27.50	25.00	20	1.25
22"	24.00	9.00	28M2200-24	36.00	9.00	28M2200-36	48.00	9.00	28M2200-48	29.50	27.25	20	1.38
24"	24.00	9.00	28M2400-24	36.00	9.00	28M2400-36	48.00	9.00	28M2400-48	32.00	29.50	20	1.38

## TYPE 28 - SINGLE-PLY BELLOWS

SIZE	24" LONG			36" LONG			48" LONG			ANSI FLANGE DIM.			
	A	B	PART NO.	A	B	PART NO.	A	B	PART NO.	C	D	HOLES	DIA.
3"	24.00	9.00	28S0300-24	36.00	9.00	28S0300-36	48.00	9.00	28S0300-48	7.50	6.00	4	0.75
3-1/2"	24.00	9.00	28S0350-24	36.00	9.00	28S0350-36	48.00	9.00	28S0350-48	8.50	7.00	8	0.75
4"	24.00	9.00	28S0400-24	36.00	9.00	28S0400-36	48.00	9.00	28S0400-48	9.00	7.50	8	0.75
5"	24.00	9.00	28S0500-24	36.00	9.00	28S0500-36	48.00	9.00	28S0500-48	10.00	8.50	8	0.88
6"	24.00	9.00	28S0600-24	36.00	9.00	28S0600-36	48.00	9.00	28S0600-48	11.00	9.50	8	0.88
8"	24.00	9.00	28S0800-24	36.00	9.00	28S0800-36	48.00	9.00	28S0800-48	13.50	11.75	8	0.88
10"	24.00	9.00	28S1000-24	36.00	9.00	28S1000-36	48.00	9.00	28S1000-48	16.00	14.25	12	1.00
12"	24.00	9.00	28S1200-24	36.00	9.00	28S1200-36	48.00	9.00	28S1200-48	19.00	17.00	12	1.00
14"	24.00	9.00	28S1400-24	36.00	9.00	28S1400-36	48.00	9.00	28S1400-48	21.00	18.75	12	1.13
16"	24.00	9.00	28S1600-24	36.00	9.00	28S1600-36	48.00	9.00	28S1600-48	23.20	21.25	16	1.13
18"	24.00	9.00	28S1800-24	36.00	9.00	28S1800-36	48.00	9.00	28S1800-48	25.00	22.75	16	1.25
20"	24.00	9.00	28S2000-24	36.00	9.00	28S2000-36	48.00	9.00	28S2000-48	27.50	25.00	20	1.25
22"	24.00	9.00	28S2200-24	36.00	9.00	28S2200-36	48.00	9.00	28S2200-48	29.50	27.25	20	1.38
24"	24.00	9.00	28S2400-24	36.00	9.00	28S2400-36	48.00	9.00	28S2400-48	32.00	29.50	20	1.38

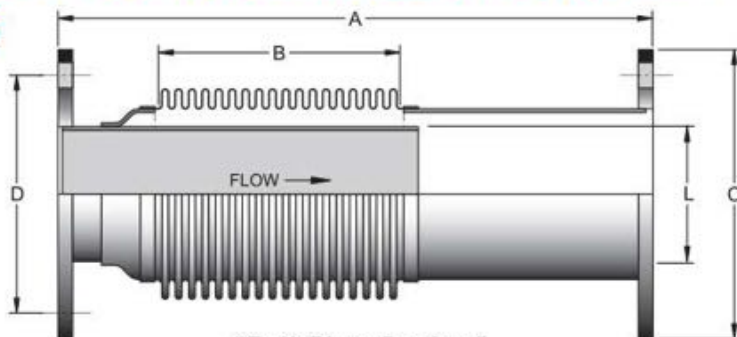
## TYPE 28 - FLEX HOSE

SIZE	24" LONG			36" LONG			48" LONG			ANSI FLANGE DIM.			
	A	B	PART NO.	A	B	PART NO.	A	B	PART NO.	C	D	HOLES	DIA.
3"	24.00	17.00	28F0300-24	36.00	17.00	28F0300-36	48.00	17.00	28F0300-48	7.50	6.00	4	0.75
3-1/2"	24.00	17.00	28F0350-24	36.00	17.00	28F0350-36	48.00	17.00	28F0350-48	8.50	7.00	8	0.75
4"	24.00	17.00	28F0400-24	36.00	17.00	28F0400-36	48.00	17.00	28F0400-48	9.00	7.50	8	0.75
5"	24.00	17.00	28F0500-24	36.00	17.00	28F0500-36	48.00	17.00	28F0500-48	10.00	8.50	8	0.88
6"	24.00	17.00	28F0600-24	36.00	17.00	28F0600-36	48.00	17.00	28F0600-48	11.00	9.50	8	0.88
8"	24.00	17.00	28F0800-24	36.00	17.00	28F0800-36	48.00	17.00	28F0800-48	13.50	11.75	8	0.88
10"	24.00	17.00	28F1000-24	36.00	17.00	28F1000-36	48.00	17.00	28F1000-48	16.00	14.25	12	1.00
12"	24.00	17.00	28F1200-24	36.00	17.00	28F1200-36	48.00	17.00	28F1200-48	19.00	17.00	12	1.00
14"	24.00	17.00	28F1400-24	36.00	17.00	28F1400-36	48.00	17.00	28F1400-48	21.00	18.75	12	1.13
16"	24.00	17.00	28F1600-24	36.00	17.00	28F1600-36	48.00	17.00	28F1600-48	23.20	21.25	16	1.13
18"	24.00	17.00	28F1800-24	36.00	17.00	28F1800-36	48.00	17.00	28F1800-48	25.00	22.75	16	1.25

# FULL FLOW ISOLATORS

## TYPE 28LP - FLANGE X SPACER FLANGE (ANSI)

T-321 STAINLESS STEEL BELLOWS  
 FULL FLOW LINER WITH MAXIMUM LATERAL  
 OFFSET CAPABILITY.  
 125-150# ANSI FLANGE INLET, A-36 STEEL  
 125-150# ANSI FLANGE OUTLET, A-36 STEEL  
 TUBE SPACER, CARBON STEEL



*"Full Flow Design"*

## TYPE 28LP - MULTI-PLY BELLOWS WITH LINER

SIZE	24" LONG				36" LONG			48" LONG			ANSI FLANGE DIM.				
	I.D.	A	B	PART NO.	A	B	PART NO.	A	B	PART NO.	L	C	D	HOLES	DIA.
3"	4.50	24.00	9.00	28M0300-24LP	36.00	9.00	28M0300-36LP	48.00	9.00	28M0300-48LP	3.00	7.50	6.00	4	0.75
3.50"	5.00	24.00	9.00	28M0350-24LP	36.00	9.00	28M0350-36LP	48.00	9.00	28M0350-48LP	3.50	8.50	7.00	8	0.75
4"	6.00	24.00	9.00	28M0400-24LP	36.00	9.00	28M0400-36LP	48.00	9.00	28M0400-48LP	4.00	9.00	7.50	8	0.75
5"	6.63	24.00	9.00	28M0500-24LP	36.00	9.00	28M0500-36LP	48.00	9.00	28M0500-48LP	5.00	10.00	8.50	8	0.88
6"	8.00	24.00	9.00	28M0600-24LP	36.00	9.00	28M0600-36LP	48.00	9.00	28M0600-48LP	6.00	11.00	9.50	8	0.88
8"	10.00	24.00	9.00	28M0800-24LP	36.00	9.00	28M0800-36LP	48.00	9.00	28M0800-48LP	8.00	13.50	11.75	8	0.88
10"	12.00	24.00	9.00	28M1000-24LP	36.00	9.00	28M1000-36LP	48.00	9.00	28M1000-48LP	10.00	16.00	14.25	12	1.00
12"	14.00	24.00	9.00	28M1200-24LP	36.00	9.00	28M1200-36LP	48.00	9.00	28M1200-48LP	12.00	19.00	17.00	12	1.00
14"	16.00	24.00	9.00	28M1400-24LP	36.00	9.00	28M1400-36LP	48.00	9.00	28M1400-48LP	14.00	21.00	18.75	12	1.13
16"	18.00	24.00	9.00	28M1600-24LP	36.00	9.00	28M1600-36LP	48.00	9.00	28M1600-48LP	16.00	23.20	21.25	16	1.13
18"	20.00	24.00	9.00	28M1800-24LP	36.00	9.00	28M1800-36LP	48.00	9.00	28M1800-48LP	18.00	25.00	22.75	16	1.25
20"	22.00	24.00	9.00	28M2000-24LP	36.00	9.00	28M2000-36LP	48.00	9.00	28M2000-48LP	20.00	27.50	25.00	20	1.25
22"	24.00	24.00	9.00	28M2200-24LP	36.00	9.00	28M2200-36LP	48.00	9.00	28M2200-48LP	22.00	29.50	27.25	20	1.38
24"	26.00	24.00	9.00	28M2400-24LP	36.00	9.00	28M2400-36LP	48.00	9.00	28M2400-48LP	24.00	32.00	29.50	20	1.38

## TYPE 28LP - SINGLE-PLY BELLOWS WITH LINER

SIZE	24" LONG				36" LONG			48" LONG			ANSI FLANGE DIM.				
	I.D.	A	B	PART NO.	A	B	PART NO.	A	B	PART NO.	L	C	D	HOLES	DIA.
3"	4.50	24.00	9.00	28S0300-24LP	36.00	9.00	28S0300-36LP	48.00	9.00	28S0300-48LP	3.00	7.50	6.00	4	0.75
3.50"	5.00	24.00	9.00	28S0350-24LP	36.00	9.00	28S0350-36LP	48.00	9.00	28S0350-48LP	3.50	8.50	7.00	8	0.75
4"	6.00	24.00	9.00	28S0400-24LP	36.00	9.00	28S0400-36LP	48.00	9.00	28S0400-48LP	4.00	9.00	7.50	8	0.75
5"	6.63	24.00	9.00	28S0500-24LP	36.00	9.00	28S0500-36LP	48.00	9.00	28S0500-48LP	5.00	10.00	8.50	8	0.88
6"	8.00	24.00	9.00	28S0600-24LP	36.00	9.00	28S0600-36LP	48.00	9.00	28S0600-48LP	6.00	11.00	9.50	8	0.88
8"	10.00	24.00	9.00	28S0800-24LP	36.00	9.00	28S0800-36LP	48.00	9.00	28S0800-48LP	8.00	13.50	11.75	8	0.88
10"	12.00	24.00	9.00	28S1000-24LP	36.00	9.00	28S1000-36LP	48.00	9.00	28S1000-48LP	10.00	16.00	14.25	12	1.00
12"	14.00	24.00	9.00	28S1200-24LP	36.00	9.00	28S1200-36LP	48.00	9.00	28S1200-48LP	12.00	19.00	17.00	12	1.00
14"	16.00	24.00	9.00	28S1400-24LP	36.00	9.00	28S1400-36LP	48.00	9.00	28S1400-48LP	14.00	21.00	18.75	12	1.13
16"	18.00	24.00	9.00	28S1600-24LP	36.00	9.00	28S1600-36LP	48.00	9.00	28S1600-48LP	16.00	23.20	21.25	16	1.13
18"	20.00	24.00	9.00	28S1800-24LP	36.00	9.00	28S1800-36LP	48.00	9.00	28S1800-48LP	18.00	25.00	22.75	16	1.25
20"	22.00	24.00	9.00	28S2000-24LP	36.00	9.00	28S2000-36LP	48.00	9.00	28S2000-48LP	20.00	27.50	25.00	20	1.25
22"	24.00	24.00	9.00	28S2200-24LP	36.00	9.00	28S2200-36LP	48.00	9.00	28S2200-48LP	22.00	29.50	27.25	20	1.38
24"	26.00	24.00	9.00	28S2400-24LP	36.00	9.00	28S2400-36LP	48.00	9.00	28S2400-48LP	24.00	32.00	29.50	20	1.38

See pages 4-6 for bellows and flex hose specifications.

### OPTIONS:

- Longer / Shorter Lengths
- Increasing / Reducing Flanges
- Special Drilled / Metric Flanges
- T-304, T-316, and T-321 Stainless Steel Flanges
- Inconel 625 and Alloy "X" Bellows
- T-304, T-316, and T-321 Stainless Steel Spacer Tube

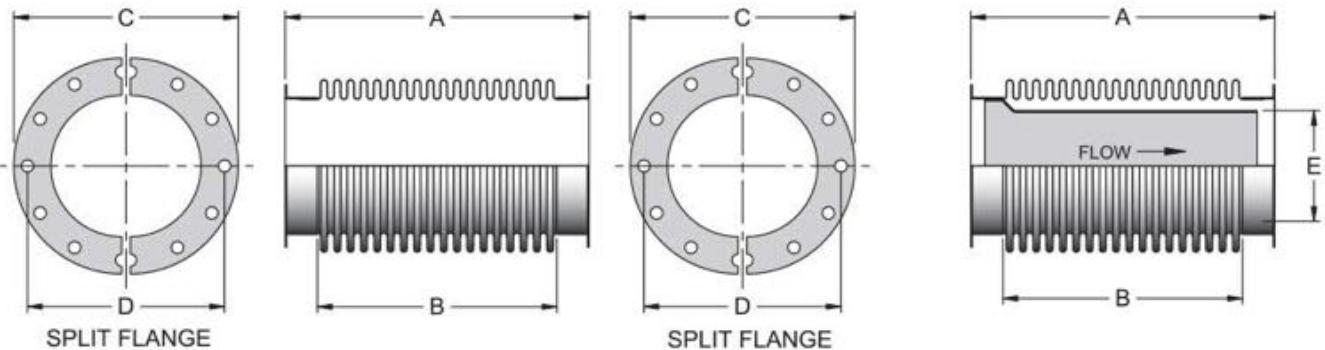
### NOTES:

- T-321 Stainless Steel Vanstone (Standard).
- Add "U" for Cummins Inlet Flange, "D" for Detroit Inlet Flange, and "C" for Cat Inlet Flange to the End of the Part Number.
- Standard Flow Liner Diameter "E" Limits Lateral Offset to 3/8" For Increased Offset "E" Must Be Reduced.
- Internal Flow Liners are Required if Flow Conditions are Equal or Greater Than the Following:
  - 6" and Under (Gas / Steam) - 4ft/sec/inch of Diameter.
  - 8" and Over (Gas / Steam) - 25ft/sec.

# VIBRATION ISOLATORS

## TYPE 29A - FLOATING X FLOATING (SPLIT FLANGES)    TYPE 29AL - FLOATING X FLOATING (SPLIT FLANGES)

T-321 STAINLESS STEEL BELLOWS  
 T-321 STAINLESS STEEL VANSTONE STUB END  
 WITH OR WITHOUT 125/150# ANSI A-36 CARBON STEEL FLANGES  
 FLANGES ARE RE-USABLE



### TYPE 29A - MULTI-PLY BELLOWS

I.D. SIZE	A	B	C	D	HOLES	DIA	WITH FLANGES	W/OUT FLANGES
3"	13.00	9.00	7.50	6.00	4	0.75	29M0300-13A	29M0300-13
3-1/2"	13.00	9.00	8.50	7.00	8	0.75	29M0350-13A	29M0350-13
4"	13.00	9.00	9.00	7.50	8	0.75	29M0400-13A	29M0400-13
5"	13.00	9.00	10.00	8.50	8	0.88	29M0500-13A	29M0500-13
6"	13.00	9.00	11.00	9.50	8	0.88	29M0600-13A	29M0600-13
8"	13.00	9.00	13.50	11.75	8	0.88	29M0800-13A	29M0800-13
10"	13.00	9.00	16.00	14.25	12	1.00	29M1000-13A	29M1000-13
12"	13.00	9.00	19.00	17.00	12	1.00	29M1200-13A	29M1200-13
14"	13.00	9.00	21.00	18.75	12	1.13	29M1400-13A	29M1400-13
16"	13.00	9.00	23.50	21.25	16	1.13	29M1600-13A	29M1600-13
18"	13.00	9.00	25.50	22.75	16	1.25	29M1800-13A	29M1800-13
20"	13.00	9.00	27.50	25.00	20	1.25	29M2000-13A	29M2000-13
22"	13.00	9.00	29.50	27.25	20	1.38	29M2200-13A	29M2200-13
24"	13.00	9.00	32.00	29.50	20	1.38	29M2400-13A	29M2400-13

### TYPE 29AL - MULTI-PLY WITH LINER

I.D. SIZE	A	B	E	WITH FLANGES	W/OUT FLANGES
3"	13.00	9.00	2.88	29M0300-13AL	29M0300-13L
3-1/2"	13.00	9.00	3.38	29M0350-13AL	29M0350-13L
4"	13.00	9.00	3.88	29M0400-13AL	29M0400-13L
5"	13.00	9.00	4.75	29M0500-13AL	29M0500-13L
6"	13.00	9.00	5.75	29M0600-13AL	29M0600-13L
8"	13.00	9.00	7.75	29M0800-13AL	29M0800-13L
10"	13.00	9.00	9.88	29M1000-13AL	29M1000-13L
12"	13.00	9.00	11.88	29M1200-13AL	29M1200-13L
14"	13.00	9.00	13.00	29M1400-13AL	29M1400-13L
16"	13.00	9.00	15.00	29M1600-13AL	29M1600-13L
18"	13.00	9.00	17.00	29M1800-13AL	29M1800-13L
20"	13.00	9.00	19.00	29M2000-13AL	29M2000-13L
22"	13.00	9.00	21.00	29M2200-13AL	29M2200-13L
24"	13.00	9.00	23.00	29M2400-13AL	29M2400-13L

### TYPE 29A - SINGLE-PLY BELLOWS

I.D. SIZE	A	B	C	D	HOLES	DIA	WITH FLANGES	W/OUT FLANGES
3"	13.00	9.00	7.50	6.00	4	0.75	29S0300-13A	29S0300-13
3-1/2"	13.00	9.00	8.50	7.00	8	0.75	29S0350-13A	29S0350-13
4"	13.00	9.00	9.00	7.50	8	0.75	29S0400-13A	29S0400-13
5"	13.00	9.00	10.00	8.50	8	0.88	29S0500-13A	29S0500-13
6"	13.00	9.00	11.00	9.50	8	0.88	29S0600-13A	29S0600-13
8"	13.00	9.00	13.50	11.75	8	0.88	29S0800-13A	29S0800-13
10"	13.00	9.00	16.00	14.25	12	1.00	29S1000-13A	29S1000-13
12"	13.00	9.00	19.00	17.00	12	1.00	29S1200-13A	29S1200-13
14"	13.00	9.00	21.00	18.75	12	1.13	29S1400-13A	29S1400-13
16"	13.00	9.00	23.50	21.25	16	1.13	29S1600-13A	29S1600-13
18"	13.00	9.00	25.50	22.75	16	1.25	29S1800-13A	29S1800-13
20"	13.00	9.00	27.50	25.00	20	1.25	29S2000-13A	29S2000-13
22"	13.00	9.00	29.50	27.25	20	1.38	29S2200-13A	29S2200-13
24"	13.00	9.00	32.00	29.50	20	1.38	29S2400-13A	29S2400-13

### TYPE 29AL - SINGLE-PLY WITH LINER

I.D. SIZE	A	B	E	WITH FLANGES	W/OUT FLANGES
3"	13.00	9.00	2.88	29S0300-13AL	29S0300-13L
3-1/2"	13.00	9.00	3.38	29S0350-13AL	29S0350-13L
4"	13.00	9.00	3.88	29S0400-13AL	29S0400-13L
5"	13.00	9.00	4.75	29S0500-13AL	29S0500-13L
6"	13.00	9.00	5.75	29S0600-13AL	29S0600-13L
8"	13.00	9.00	7.75	29S0800-13AL	29S0800-13L
10"	13.00	9.00	9.88	29S1000-13AL	29S1000-13L
12"	13.00	9.00	11.88	29S1200-13AL	29S1200-13L
14"	13.00	9.00	13.00	29S1400-13AL	29S1400-13L
16"	13.00	9.00	15.00	29S1600-13AL	29S1600-13L
18"	13.00	9.00	17.00	29S1800-13AL	29S1800-13L
20"	13.00	9.00	19.00	29S2000-13AL	29S2000-13L
22"	13.00	9.00	21.00	29S2200-13AL	29S2200-13L
24"	13.00	9.00	23.00	29S2400-13AL	29S2400-13L

See pages 4-6 for bellows and flex hose specifications.

#### OPTIONS:

- Longer / Shorter Lengths
- Special Drilled / Metric Flanges
- T-304, T-316, and T-321 Stainless Steel Flanges
- Inconel 625 and Alloy "X" Bellows
- Increasing / Reducing Flanges

#### NOTES:

- T-321 Stainless Steel Vanstone Stub Ends (Standard).
- Standard Flow Liner Diameter "E" Limits Lateral Offset to 3/8" For Increased Offset "E" Must Be Reduced.
- Internal Flow Liners are Required if Flow Conditions are Equal or Greater Than the Following:
  - 6" and Under (Gas / Steam) - 4ft/sec/inch of Diameter.
  - 8" and Over (Gas / Steam) - 25ft/sec.
- For Cat Flanges Each End, Change "A" to "B"
- For Cummins Flanges Each End, Change "A" to "UU"
- For Detroit Flanges Each End, Change "A" to "DD"

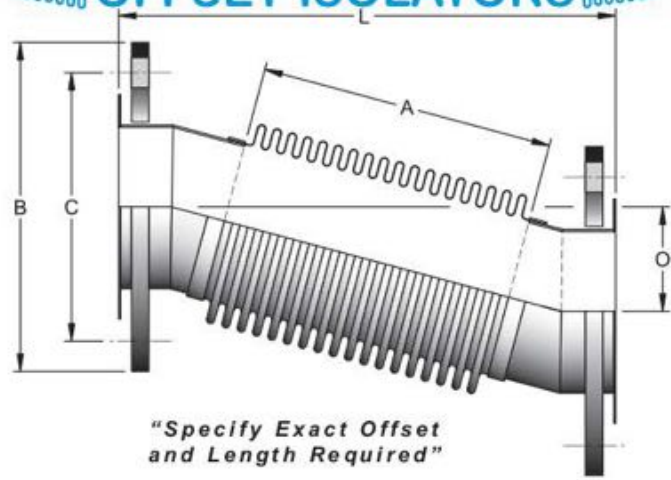
# OFFSET ISOLATORS

## TYPE 30A - FLANGE OFFSET X FLANGE OFFSET

T-321 STAINLESS STEEL BELLOWS / FLEX  
 125-150# ANSI FLOATING INLET FLANGE, A-36 STEEL  
 125-150# ANSI FLOATING OUTLET FLANGE, A-36 STEEL

### OPTIONS:

- Longer / Shorter Lengths
- Inconel 625 and Alloy "X" Bellows
- Special Flange / Metric Flange
- Cummins and Detroit Flange
- Specify Exact Offset Requirement
- Flow Liner
- Increasing / Reducing Flanges



## TYPE 30A - MULTI-PLY BELLOWS

SIZE	A	B	C	HOLES	DIA	3" OFFSET			6" OFFSET			12" OFFSET		
						L	O	PART NO.	L	O	PART NO.	L	O	PART NO.
3"	9.00	7.50	6.00	4	0.75	30.00	3.00	30M0300-3A	34.00	6.00	30M0300-6A	38.00	12.00	30M0300-12A
3.50"	9.00	8.50	7.00	8	0.75	30.00	3.00	30M0350-3A	34.00	6.00	30M0350-6A	38.00	12.00	30M0350-12A
4"	9.00	9.00	7.50	8	0.75	30.00	3.00	30M0400-3A	34.00	6.00	30M0400-6A	38.00	12.00	30M0400-12A
5"	9.00	10.00	8.50	8	0.88	32.00	3.00	30M0500-3A	36.00	6.00	30M0500-6A	40.00	12.00	30M0500-12A
6"	9.00	11.00	9.50	8	0.88	32.00	3.00	30M0600-3A	36.00	6.00	30M0600-6A	40.00	12.00	30M0600-12A
8"	9.00	13.50	11.75	8	0.88	32.00	3.00	30M0800-3A	36.00	6.00	30M0800-6A	40.00	12.00	30M0800-12A
10"	9.00	16.00	14.25	12	1.00	34.00	3.00	30M1000-3A	38.00	6.00	30M1000-6A	42.00	12.00	30M1000-12A
12"	9.00	19.00	17.00	12	1.00	34.00	3.00	30M1200-3A	38.00	6.00	30M1200-6A	42.00	12.00	30M1200-12A
14"	9.00	21.00	18.75	12	1.13	38.00	3.00	30M1400-3A	42.00	6.00	30M1400-6A	48.00	12.00	30M1400-12A
16"	9.00	23.50	21.25	16	1.13	38.00	3.00	30M1600-3A	42.00	6.00	30M1600-6A	48.00	12.00	30M1600-12A
18"	9.00	25.00	22.75	16	1.25	38.00	3.00	30M1800-3A	42.00	6.00	30M1800-6A	48.00	12.00	30M1800-12A
20"	9.00	27.50	25.00	20	1.25	38.00	3.00	30M2000-3A	42.00	6.00	30M2000-6A	48.00	12.00	30M2000-12A
22"	9.00	29.50	27.25	20	1.38	38.00	3.00	30M2200-3A	42.00	6.00	30M2200-6A	48.00	12.00	30M2200-12A
24"	9.00	32.00	29.50	20	1.38	38.00	3.00	30M2400-3A	42.00	6.00	30M2400-6A	48.00	12.00	30M2400-12A

## TYPE 30A - SINGLE-PLY BELLOWS

SIZE	A	B	C	HOLES	DIA	3" OFFSET			6" OFFSET			12" OFFSET		
						L	O	PART NO.	L	O	PART NO.	L	O	PART NO.
3"	9.00	7.50	6.00	4	0.75	30.00	3.00	30S0300-3A	34.00	6.00	30S0300-6A	38.00	12.00	30S0300-12A
3.50"	9.00	8.50	7.00	8	0.75	30.00	3.00	30S0350-3A	34.00	6.00	30S0350-6A	38.00	12.00	30S0350-12A
4"	9.00	9.00	7.50	8	0.75	30.00	3.00	30S0400-3A	34.00	6.00	30S0400-6A	38.00	12.00	30S0400-12A
5"	9.00	10.00	8.50	8	0.88	32.00	3.00	30S0500-3A	36.00	6.00	30S0500-6A	40.00	12.00	30S0500-12A
6"	9.00	11.00	9.50	8	0.88	32.00	3.00	30S0600-3A	36.00	6.00	30S0600-6A	40.00	12.00	30S0600-12A
8"	9.00	13.50	11.75	8	0.88	32.00	3.00	30S0800-3A	36.00	6.00	30S0800-6A	40.00	12.00	30S0800-12A
10"	9.00	16.00	14.25	12	1.00	34.00	3.00	30S1000-3A	38.00	6.00	30S1000-6A	42.00	12.00	30S1000-12A
12"	9.00	19.00	17.00	12	1.00	34.00	3.00	30S1200-3A	38.00	6.00	30S1200-6A	42.00	12.00	30S1200-12A
14"	9.00	21.00	18.75	12	1.13	38.00	3.00	30S1400-3A	42.00	6.00	30S1400-6A	48.00	12.00	30S1400-12A
16"	9.00	23.50	21.25	16	1.13	38.00	3.00	30S1600-3A	42.00	6.00	30S1600-6A	48.00	12.00	30S1600-12A
18"	9.00	25.00	22.75	16	1.25	38.00	3.00	30S1800-3A	42.00	6.00	30S1800-6A	48.00	12.00	30S1800-12A
20"	9.00	27.50	25.00	20	1.25	38.00	3.00	30S2000-3A	42.00	6.00	30S2000-6A	48.00	12.00	30S2000-12A
22"	9.00	29.50	27.25	20	1.38	38.00	3.00	30S2200-3A	42.00	6.00	30S2200-6A	48.00	12.00	30S2200-12A
24"	9.00	32.00	29.50	20	1.38	38.00	3.00	30S2400-3A	42.00	6.00	30S2400-6A	48.00	12.00	30S2400-12A

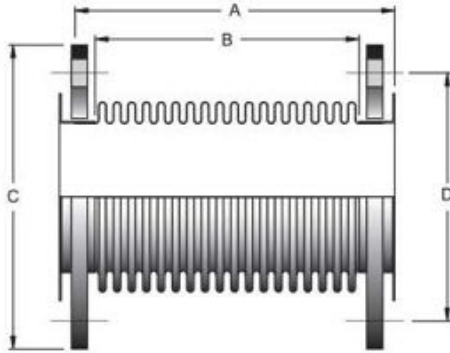
## TYPE 30A - FLEX HOSE

SIZE	A	B	C	HOLES	DIA	3" OFFSET			6" OFFSET			12" OFFSET		
						L	O	PART NO.	L	O	PART NO.	L	O	PART NO.
3"	17.00	7.50	6.00	4	0.75	30.00	3.00	30F0300-3A	34.00	6.00	30F0300-6A	38.00	12.00	30F0300-12A
3.50"	17.00	8.50	7.00	8	0.75	30.00	3.00	30F0350-3A	34.00	6.00	30F0350-6A	38.00	12.00	30F0350-12A
4"	17.00	9.00	7.50	8	0.75	30.00	3.00	30F0400-3A	34.00	6.00	30F0400-6A	38.00	12.00	30F0400-12A
5"	17.00	10.00	8.50	8	0.88	32.00	3.00	30F0500-3A	36.00	6.00	30F0500-6A	40.00	12.00	30F0500-12A
6"	17.00	11.00	9.50	8	0.88	32.00	3.00	30F0600-3A	36.00	6.00	30F0600-6A	40.00	12.00	30F0600-12A
8"	17.00	13.50	11.75	8	0.88	32.00	3.00	30F0800-3A	36.00	6.00	30F0800-6A	40.00	12.00	30F0800-12A
10"	17.00	16.00	14.25	12	1.00	34.00	3.00	30F1000-3A	38.00	6.00	30F1000-6A	42.00	12.00	30F1000-12A
12"	17.00	19.00	17.00	12	1.00	34.00	3.00	30F1200-3A	38.00	6.00	30F1200-6A	42.00	12.00	30F1200-12A
14"	17.00	21.00	18.75	12	1.13	38.00	3.00	30F1400-3A	42.00	6.00	30F1400-6A	48.00	12.00	30F1400-12A
16"	17.00	23.50	21.25	16	1.13	38.00	3.00	30F1600-3A	42.00	6.00	30F1600-6A	48.00	12.00	30F1600-12A
18"	17.00	25.00	22.75	16	1.25	38.00	3.00	30F1800-3A	42.00	6.00	30F1800-6A	48.00	12.00	30F1800-12A

# VIBRATION ISOLATORS

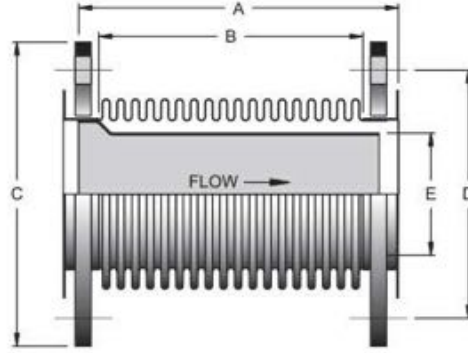
## TYPE 31A - FLOATING X FLOATING (ANSI)

T-321 STAINLESS STEEL BELLOWS / FLEX  
125-150# FLOATING ANSI FLANGE, A-36 STEEL EACH END



## TYPE 31AL - FLOATING X FLOATING (ANSI)

T-321 STAINLESS STEEL BELLOWS / FLEX WITH FLOW LINER  
125-150# FLOATING ANSI FLANGE, A-36 STEEL EACH END



### TYPE 31A - MULTI-PLY BELLOWS

SIZE	A	B	C	D	HOLES	DIA	PART NO.
3"	13.00	9.00	7.50	6.00	4	0.75	31M0300-13A
3-1/2"	13.00	9.00	8.50	7.00	8	0.75	31M0350-13A
4"	13.00	9.00	9.00	7.50	8	0.75	31M0400-13A
5"	13.00	9.00	10.00	8.50	8	0.88	31M0500-13A
6"	13.00	9.00	11.00	9.50	8	0.88	31M0600-13A
8"	13.00	9.00	13.50	11.75	8	0.88	31M0800-13A
10"	13.00	9.00	16.00	14.25	12	1.00	31M1000-13A
12"	13.00	9.00	19.00	17.00	12	1.00	31M1200-13A
14"	13.00	9.00	21.00	18.75	12	1.13	31M1400-13A
16"	13.00	9.00	23.50	21.25	16	1.13	31M1600-13A
18"	13.00	9.00	25.50	22.75	16	1.25	31M1800-13A
20"	13.00	9.00	27.50	25.00	20	1.25	31M2000-13A
22"	13.00	9.00	29.50	27.25	20	1.38	31M2200-13A
24"	13.00	9.00	32.00	29.50	20	1.38	31M2400-13A

### TYPE 31AL - MULTI-PLY BELLOWS WITH LINER

SIZE	I.D.	A	B	C	D	E	PART NO.
3"	3.50	13.00	9.00	7.50	6.00	2.88	31M0300-13AL
3-1/2"	4.00	13.00	9.00	8.50	7.00	3.38	31M0350-13AL
4"	4.50	13.00	9.00	9.00	7.50	3.88	31M0400-13AL
5"	5.56	13.00	9.00	10.00	8.50	4.75	31M0500-13AL
6"	6.63	13.00	9.00	11.00	9.50	5.75	31M0600-13AL
8"	8.63	13.00	9.00	13.50	11.75	7.75	31M0800-13AL
10"	10.75	13.00	9.00	16.00	14.25	9.88	31M1000-13AL
12"	12.75	13.00	9.00	19.00	17.00	11.88	31M1200-13AL
14"	14.00	13.00	9.00	21.00	18.75	13.00	31M1400-13AL
16"	16.00	13.00	9.00	23.50	21.25	15.00	31M1600-13AL
18"	18.00	13.00	9.00	25.50	22.75	17.00	31M1800-13AL
20"	20.00	13.00	9.00	27.50	25.00	19.00	31M2000-13AL
22"	22.00	13.00	9.00	29.50	27.25	21.00	31M2200-13AL
24"	24.00	13.00	9.00	32.00	29.50	23.00	31M2400-13AL

### TYPE 31A - SINGLE-PLY BELLOWS

SIZE	A	B	C	D	HOLES	DIA	PART NO.
3"	13.00	9.00	7.50	6.00	4	0.75	31S0300-13A
3-1/2"	13.00	9.00	8.50	7.00	8	0.75	31S0350-13A
4"	13.00	9.00	9.00	7.50	8	0.75	31S0400-13A
5"	13.00	9.00	10.00	8.50	8	0.88	31S0500-13A
6"	13.00	9.00	11.00	9.50	8	0.88	31S0600-13A
8"	13.00	9.00	13.50	11.75	8	0.88	31S0800-13A
10"	13.00	9.00	16.00	14.25	12	1.00	31S1000-13A
12"	13.00	9.00	19.00	17.00	12	1.00	31S1200-13A
14"	13.00	9.00	21.00	18.75	12	1.13	31S1400-13A
16"	13.00	9.00	23.50	21.25	16	1.13	31S1600-13A
18"	13.00	9.00	25.50	22.75	16	1.25	31S1800-13A
20"	13.00	9.00	27.50	25.00	20	1.25	31S2000-13A
22"	13.00	9.00	29.50	27.25	20	1.38	31S2200-13A
24"	13.00	9.00	32.00	29.50	20	1.38	31S2400-13A

### TYPE 31AL - SINGLE-PLY BELLOWS WITH LINER

SIZE	I.D.	A	B	C	D	E	PART NO.
3"	3.50	13.00	9.00	7.50	6.00	2.88	31S0300-13AL
3-1/2"	4.00	13.00	9.00	8.50	7.00	3.38	31S0350-13AL
4"	4.50	13.00	9.00	9.00	7.50	3.88	31S0400-13AL
5"	5.56	13.00	9.00	10.00	8.50	4.75	31S0500-13AL
6"	6.63	13.00	9.00	11.00	9.50	5.75	31S0600-13AL
8"	8.63	13.00	9.00	13.50	11.75	7.75	31S0800-13AL
10"	10.75	13.00	9.00	16.00	14.25	9.88	31S1000-13AL
12"	12.75	13.00	9.00	19.00	17.00	11.88	31S1200-13AL
14"	14.00	13.00	9.00	21.00	18.75	13.00	31S1400-13AL
16"	16.00	13.00	9.00	23.50	21.25	15.00	31S1600-13AL
18"	18.00	13.00	9.00	25.50	22.75	17.00	31S1800-13AL
20"	20.00	13.00	9.00	27.50	25.00	19.00	31S2000-13AL
22"	22.00	13.00	9.00	29.50	27.25	21.00	31S2200-13AL
24"	24.00	13.00	9.00	32.00	29.50	23.00	31S2400-13AL

### TYPE 31A - FLEX HOSE

SIZE	A	B	C	D	HOLES	DIA	PART NO.
3"	22.00	17.00	7.50	6.00	4	0.75	31F0300-22A
3-1/2"	22.00	17.00	8.50	7.00	8	0.75	31F0350-22A
4"	22.00	17.00	9.00	7.50	8	0.75	31F0400-22A
5"	22.00	17.00	10.00	8.50	8	0.88	31F0500-22A
6"	22.00	17.00	11.00	9.50	8	0.88	31F0600-22A
8"	22.00	17.00	13.50	11.75	8	0.88	31F0800-22A
10"	22.00	17.00	16.00	14.25	12	1.00	31F1000-22A
12"	22.00	17.00	19.00	17.00	12	1.00	31F1200-22A
14"	22.00	17.00	21.00	18.75	12	1.13	31F1400-22A
16"	22.00	17.00	23.50	21.25	16	1.13	31F1600-22A
18"	22.00	17.00	25.50	22.75	16	1.25	31F1800-22A

### OPTIONS:

- Longer / Shorter Lengths
- Increasing / Reducing Flanges
- Special Drilled / Metric Flanges
- Cummins and Detroit Flanges
- T-304, T-316, and T-321 Stainless Steel Flanges
- Inconel 625 and Alloy "X" Bellows

### NOTES:

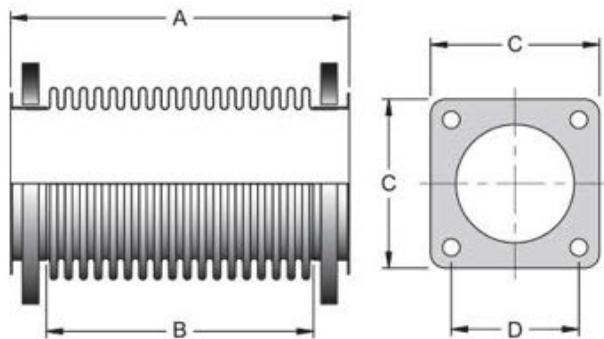
- T-321 Stainless Steel Vanstone (Standard).
- Standard Flow Liner Diameter "E" Limits Lateral Offset to 3/8" For Increased Offset "E" Must Be Reduced.
- Internal Flow Liners are Required if Flow Conditions are Equal or Greater Than the Following:

6" and Under (Gas / Steam) - 4ft/sec/inch of Diameter.  
8" and Over (Gas / Steam) - 25ft/sec.

See pages 4-6 for bellows and flex hose specifications.

**TYPE 31B - FLOATING X FLOATING (CAT.)**

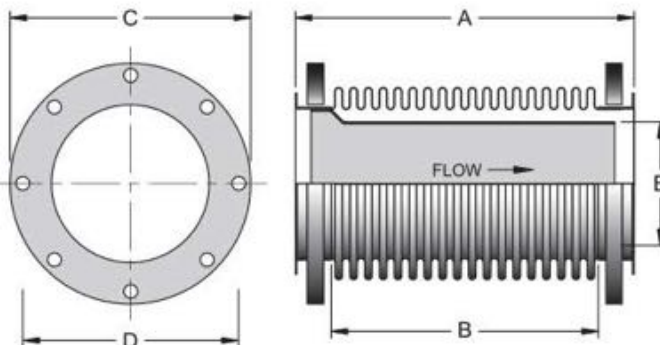
T-321 STAINLESS STEEL BELLOWS / FLEX  
 A-36 CARBON STEEL FLOATING CAT FLANGES EACH END  
 T-321 STAINLESS STEEL VANSTONE STUB ENDS



**4", 5", & 6" CAT**

**TYPE 31BL - FLOATING X FLOATING (CAT.)**

T-321 STAINLESS STEEL BELLOWS / FLEX WITH FLOW LINER  
 A-36 CARBON STEEL FLOATING CAT FLANGES EACH END  
 T-321 STAINLESS STEEL VANSTONE STUB ENDS



**8"-18" CAT**

**TYPE 31B - MULTI-PLY BELLOWS**

SIZE	A	B	C	D	HOLES	DIA	PART NO.
4"	13.00	9.00	5.50	4.15	4	0.56	31M0400-13B
5"	13.00	9.00	6.50	5.00	4	0.75	31M0500-13B
6"	13.00	9.00	8.00	6.00	4	0.88	31M0600-13B
8"	13.00	9.00	11.00	9.88	8	0.56	31M0800-13B
10"	13.00	9.00	13.50	12.44	12	0.50	31M1000-13B
12"	13.00	9.00	15.75	14.81	12	0.50	31M1200-13B
14"	13.00	9.00	17.10	16.13	12	0.50	31M1401-13B
14"	13.00	9.00	17.94	16.94	12	0.56	31M1402-13B
16"	13.00	9.00	23.50	21.25	16	0.81	31M1600-13B
18"	13.00	9.00	21.85	20.88	16	0.54	31M1800-13B

**TYPE 31BL - MULTI-PLY BELLOWS WITH LINER**

SIZE	A	B	C	D	E	PART NO.
4"	13.00	9.00	5.50	4.15	3.25	31M0400-13BL
5"	13.00	9.00	6.50	5.00	4.25	31M0500-13BL
6"	13.00	9.00	8.00	6.00	5.25	31M0600-13BL
8"	13.00	9.00	11.00	9.88	7.25	31M0800-13BL
10"	13.00	9.00	13.50	12.44	9.00	31M1000-13BL
12"	13.00	9.00	15.75	14.81	11.00	31M1200-13BL
14"	13.00	9.00	17.10	16.13	13.00	31M1401-13BL
14"	13.00	9.00	17.94	16.94	13.00	31M1402-13BL
16"	13.00	9.00	23.50	21.25	15.00	31M1600-13BL
18"	13.00	9.00	21.85	20.88	17.00	31M1800-13BL

**TYPE 31B - SINGLE-PLY BELLOWS**

SIZE	A	B	C	D	HOLES	DIA	PART NO.
4"	13.00	9.00	5.50	4.15	4	0.56	31S0400-13B
5"	13.00	9.00	6.50	5.00	4	0.75	31S0500-13B
6"	13.00	9.00	8.00	6.00	4	0.88	31S0600-13B
8"	13.00	9.00	11.00	9.88	8	0.56	31S0800-13B
10"	13.00	9.00	13.50	12.44	12	0.50	31S1000-13B
12"	13.00	9.00	15.75	14.81	12	0.50	31S1200-13B
14"	13.00	9.00	17.10	16.13	12	0.50	31S1401-13B
14"	13.00	9.00	17.94	16.94	12	0.56	31S1402-13B
16"	13.00	9.00	23.50	21.25	16	0.81	31S1600-13B
18"	13.00	9.00	21.85	20.88	16	0.54	31S1800-13B

**TYPE 31BL - SINGLE-PLY BELLOWS WITH LINER**

SIZE	A	B	C	D	E	PART NO.
4"	13.00	9.00	5.50	4.15	3.25	31S0400-13BL
5"	13.00	9.00	6.50	5.00	4.25	31S0500-13BL
6"	13.00	9.00	8.00	6.00	5.25	31S0600-13BL
8"	13.00	9.00	11.00	9.88	7.25	31S0800-13BL
10"	13.00	9.00	13.50	12.44	9.00	31S1000-13BL
12"	13.00	9.00	15.75	14.81	11.00	31S1200-13BL
14"	13.00	9.00	17.10	16.13	13.00	31S1401-13BL
14"	13.00	9.00	17.94	16.94	13.00	31S1402-13BL
16"	13.00	9.00	23.50	21.25	15.00	31S1600-13BL
18"	13.00	9.00	21.85	20.88	17.00	31S1800-13BL

**TYPE 31B - FLEX HOSE**

SIZE	A	B	C	D	HOLES	DIA	PART NO.
4"	22.00	17.00	5.50	4.15	4	0.56	31F0400-22B
5"	22.00	17.00	6.50	5.00	4	0.75	31F0500-22B
6"	22.00	17.00	8.00	6.00	4	0.88	31F0600-22B
8"	22.00	17.00	11.00	9.88	8	0.56	31F0800-22B
10"	22.00	17.00	13.50	12.44	12	0.50	31F1000-22B
12"	22.00	17.00	15.75	14.81	12	0.50	31F1200-22B
14"	22.00	17.00	17.10	16.13	12	0.50	31F1401-22B
14"	22.00	17.00	17.94	16.94	12	0.56	31F1402-22B
16"	22.00	17.00	23.50	21.25	16	0.81	31F1600-22B
18"	22.00	17.00	21.85	20.88	16	0.54	31F1800-22B

**OPTIONS:**

- Longer / Shorter Lengths
- Increasing / Reducing Flanges
- Special Drilled / Metric Flanges
- T-304, T-316, and T-321 Stainless Steel Flanges
- Inconel 625 and Alloy "X" Bellows

See pages 4-6 for bellows and flex hose specifications.

**NOTES:**

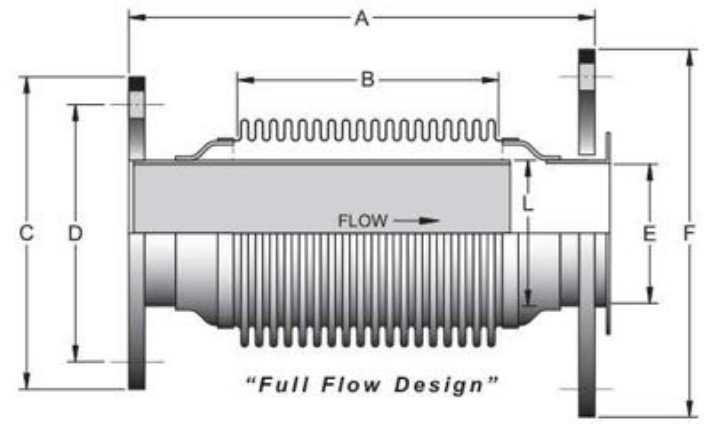
- T-321 Stainless Steel Vanstone (Standard).
- Change "B" to "UU" for Cummins Flange Each End, "DD" for Detroit Flange Each End.
- Standard Flow Liner Diameter "E" Limits Lateral Offset to 3/8" For Increased Offset "E" Must Be Reduced.
- Internal Flow Liners are Required if Flow Conditions are Equal or Greater Than the Following:
  - 6" and Under (Gas / Steam) - 4ft/sec/inch of Diameter.
  - 8" and Over (Gas / Steam) - 25ft/sec.



# 000000 FULL FLOW ISOLATORS 000000

## TYPE 32LX - FIXED X FLOATING (ANSI)

- T-321 STAINLESS STEEL BELLOWS
- T-321 STAINLESS STEEL FLOW LINER
- T-321 STAINLESS STEEL VANSTONE STUB
- T-321 STAINLESS STEEL TRANSITION
- 125-150# ANSI FIXED INLET FLANGE, A-36 STEEL
- 125-150# ANSI FLOATING OUTLET FLANGE, A-36 STEEL



## TYPE 32LX - MULTI-PLY BELLOWS WITH LINER

SIZE	I.D.	SAME SIZE FLANGE INLET / OUTLET					INCREASE OUTLET 1 SIZE			INCREASE OUTLET 2 SIZES			L
		A	B	C	D	PART NO.	E	F	PART NO.	E	F	PART NO.	
3"	4.50	16.00	9.00	7.50	6.00	32M0300-16LX	4.00	8.50	32M0300-4-16LX	5.00	9.00	32M0300-5-16LX	3.00
3.50"	5.00	16.00	9.00	8.50	7.00	32M0350-16LX	4.00	9.00	32M0350-4-16LX	5.00	10.00	32M0350-5-16LX	3.50
4"	6.00	16.00	9.00	9.00	7.50	32M0400-16LX	5.00	10.00	32M0400-5-16LX	6.00	11.00	32M0400-6-16LX	4.00
5"	6.63	16.00	9.00	10.00	8.50	32M0500-16LX	6.00	11.00	32M0500-6-16LX	8.00	13.50	32M0500-8-16LX	5.00
6"	8.00	16.00	9.00	11.00	9.50	32M0600-16LX	8.00	13.50	32M0600-8-16LX	10.00	16.00	32M0600-10-16LX	6.00
8"	10.00	16.00	9.00	13.50	11.75	32M0800-16LX	10.00	16.00	32M0800-10-16LX	12.00	19.00	32M0800-12-16LX	8.00
10"	12.00	16.00	9.00	16.00	14.25	32M1000-16LX	12.00	19.00	32M1000-12-16LX	14.00	21.00	32M1000-14-16LX	10.00
12"	14.00	16.00	9.00	19.00	17.00	32M1200-16LX	14.00	21.00	32M1200-14-16LX	16.00	23.50	32M1200-16-16LX	12.00
14"	16.00	16.00	9.00	21.00	18.75	32M1400-16LX	16.00	23.50	32M1400-16-16LX	18.00	25.00	32M1400-18-16LX	14.00
16"	18.00	16.00	9.00	23.50	21.25	32M1600-16LX	18.00	25.00	32M1600-18-16LX	20.00	27.50	32M1600-20-16LX	16.00
18"	20.00	16.00	9.00	25.00	22.75	32M1800-16LX	20.00	27.50	32M1800-20-16LX	22.00	29.50	32M1800-22-16LX	18.00
20"	22.00	16.00	9.00	27.50	25.00	32M2000-16LX	22.00	29.50	32M2000-22-16LX	24.00	32.00	32M2000-24-16LX	20.00
22"	24.00	16.00	9.00	29.50	27.25	32M2200-16LX	24.00	32.00	32M2200-24-16LX	26.00	34.25	32M2200-26-16LX	22.00
24"	26.00	16.00	9.00	32.00	29.50	32M2400-16LX	26.00	34.25	32M2400-26-16LX	30.00	38.75	32M2400-30-16LX	24.00

## TYPE 32LX - SINGLE-PLY BELLOWS WITH LINER

SIZE	I.D.	SAME SIZE FLANGE INLET / OUTLET					INCREASE OUTLET 1 SIZE			INCREASE OUTLET 2 SIZES			L
		A	B	C	D	PART NO.	E	F	PART NO.	E	F	PART NO.	
3"	4.50	16.00	9.00	7.50	6.00	32S0300-16LX	4.00	8.50	32S0300-4-16LX	5.00	9.00	32S0300-5-16LX	3.00
3.50"	5.00	16.00	9.00	8.50	7.00	32S0350-16LX	4.00	9.00	32S0350-4-16LX	5.00	10.00	32S0350-5-16LX	3.50
4"	6.00	16.00	9.00	9.00	7.50	32S0400-16LX	5.00	10.00	32S0400-5-16LX	6.00	11.00	32S0400-6-16LX	4.00
5"	6.63	16.00	9.00	10.00	8.50	32S0500-16LX	6.00	11.00	32S0500-6-16LX	8.00	13.50	32S0500-8-16LX	5.00
6"	8.00	16.00	9.00	11.00	9.50	32S0600-16LX	8.00	13.50	32S0600-8-16LX	10.00	16.00	32S0600-10-16LX	6.00
8"	10.00	16.00	9.00	13.50	11.75	32S0800-16LX	10.00	16.00	32S0800-10-16LX	12.00	19.00	32S0800-12-16LX	8.00
10"	12.00	16.00	9.00	16.00	14.25	32S1000-16LX	12.00	19.00	32S1000-12-16LX	14.00	21.00	32S1000-14-16LX	10.00
12"	14.00	16.00	9.00	19.00	17.00	32S1200-16LX	14.00	21.00	32S1200-14-16LX	16.00	23.50	32S1200-16-16LX	12.00
14"	16.00	16.00	9.00	21.00	18.75	32S1400-16LX	16.00	23.50	32S1400-16-16LX	18.00	25.00	32S1400-18-16LX	14.00
16"	18.00	16.00	9.00	23.50	21.25	32S1600-16LX	18.00	25.00	32S1600-18-16LX	20.00	27.50	32S1600-20-16LX	16.00
18"	20.00	16.00	9.00	25.00	22.75	32S1800-16LX	20.00	27.50	32S1800-20-16LX	22.00	29.50	32S1800-22-16LX	18.00
20"	22.00	16.00	9.00	27.50	25.00	32S2000-16LX	22.00	29.50	32S2000-22-16LX	24.00	32.00	32S2000-24-16LX	20.00
22"	24.00	16.00	9.00	29.50	27.25	32S2200-16LX	24.00	32.00	32S2200-24-16LX	26.00	34.25	32S2200-26-16LX	22.00
24"	26.00	16.00	9.00	32.00	29.50	32S2400-16LX	26.00	34.25	32S2400-26-16LX	30.00	38.75	32S2400-30-16LX	24.00

See pages 4-6 for bellows and flex hose specifications.

### NOTES:

- T-321 Stainless Steel Vanstone (Standard).
- Add "U" for Cummins Inlet Flange, "D" for Detroit Inlet Flange, and "C" for Cat Inlet Flange to the End of the Part Number.
- Standard Flow Liner Diameter "E" Limits Lateral Offset to 3/8" For Increased Offset "E" Must Be Reduced.
- Internal Flow Liners are Required if Flow Conditions are Equal or Greater Than the Following:
  - 6" and Under (Gas / Steam) - 4ft/sec/inch of Diameter.
  - 8" and Over (Gas / Steam) - 25ft/sec.

### OPTIONS:

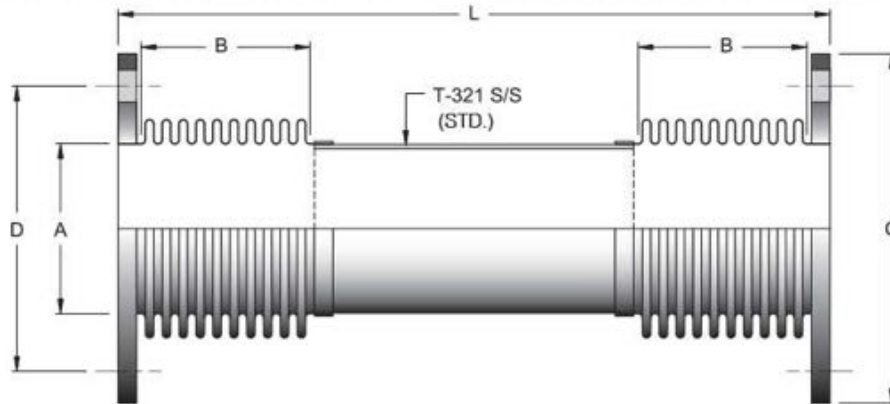
- Longer / Shorter Lengths
- Increasing / Reducing Flanges
- Special Drilled / Metric Flanges
- T-304, T-316, and T-321 Stainless Steel Flanges
- Inconel 625 and Alloy "X" Bellows
- T-304, T-316, and T-321 Stainless Steel Spacer Tube

# DME INCORPORATED

# UNIVERSAL ISOLATORS

## TYPE 34 - T-321 S/S UNIVERSAL BELLOWS, A 36 C/S 125/150# ANSI FLANGE, T-321 S/S CENTER PIPE

FOR LOW PRESSURE EXHAUST SERVICE DESIGNED TO ISOLATE ENGINE VIBRATION AND ABSORB THERMAL EXPANSION OF THE PIPING. THIS IS AN EXTREMELY DURABLE CONNECTOR THAT IMPOSES VERY LITTLE FORCE ON THE MANIFOLD OR TURBO CHARGER. UNIVERSAL EXPANSION JOINTS CAN BE INSTALLED VERTICALLY FROM THE ENGINE TO ABSORB VIBRATION AND PIPING GROWTH IN BOTH THE VERTICAL AND HORIZONTAL PLANE. WHEN USED IN PIPING SYSTEMS, THERMAL EXPANSION CAN BE ABSORBED IN MULTIPLE PLANES WITH LOW SPRING FORCES PLACED ON THE ANCHORS.



### TYPE 34 - MULTI-PLY BELLOWS ( 30,000+ CYCLES )

SIZE						2" LATERAL + 1" AXIAL COMPR.				4" LATERAL + 1" AXIAL COMPR.				MAX. PRESS. @ 1000 DEG F.
A	B	C	D	HOLES	DIA.	L	AXIAL SPRING RATE # / INCH	LAT. SPRING RATE # / INCH	PART NO.	L	AXIAL SPRING RATE # / INCH	LAT. SPRING RATE # / INCH	PART NO.	
3"	6.00	7.50	6.00	4	0.75	18.00	95	5	34M0300-2-1	24.00	95	2	34M0300-4-1	5 PSIG
3.50"	6.00	8.50	7.00	8	0.75	18.00	109	7	34M0350-2-1	24.00	109	3	34M0350-4-1	5 PSIG
4"	6.00	9.00	7.50	8	0.75	18.00	123	10	34M0400-2-1	24.00	123	4	34M0400-4-1	5 PSIG
5"	6.00	10.00	8.50	8	0.88	18.00	80	10	34M0500-2-1	24.00	80	4	34M0500-4-1	5 PSIG
6"	6.00	11.00	9.50	8	0.88	18.00	93	16	34M0600-2-1	24.00	93	7	34M0600-4-1	5 PSIG
8"	6.00	13.50	11.75	8	0.88	18.00	121	35	34M0800-2-1	24.00	121	15	34M0800-4-1	5 PSIG
10"	6.00	16.00	14.25	12	1.00	20.00	145	46	34M1000-2-1	28.00	145	18	34M1000-4-1	5 PSIG
12"	6.00	19.00	17.00	12	1.00	20.00	175	78	34M1200-2-1	28.00	175	31	34M1200-4-1	5 PSIG
14"	6.00	21.00	18.75	12	1.13	20.00	90	54	34M1400-2-1	28.00	90	22	34M1400-4-1	5 PSIG
16"	6.00	23.50	21.25	16	1.13	20.00	103	80	34M1600-2-1	28.00	103	32	34M1600-4-1	5 PSIG
18"	6.00	25.00	22.75	16	1.25	22.00	76	60	34M1800-2-1	30.00	76	26	34M1800-4-1	5 PSIG
20"	6.00	27.50	25.00	20	1.25	24.00	85	64	34M2000-2-1	32.00	85	30	34M2000-4-1	5 PSIG
22"	6.00	29.50	27.25	20	1.38	26.00	92	67	34M2200-2-1	34.00	92	34	34M2200-4-1	5 PSIG
24"	6.00	32.00	29.50	20	1.38	26.00	99	85	34M2400-2-1	36.00	99	37	34M2400-4-1	5 PSIG

### TYPE 34 - SINGLE-PLY BELLOWS ( 10,000+ CYCLES )

SIZE						2" LATERAL + 1" AXIAL COMPR.				4" LATERAL + 1" AXIAL COMPR.				MAX. PRESS. @ 1000 DEG F.
A	B	C	D	HOLES	DIA.	L	AXIAL SPRING RATE # / INCH	LAT. SPRING RATE # / INCH	PART NO.	L	AXIAL SPRING RATE # / INCH	LAT. SPRING RATE # / INCH	PART NO.	
3"	6.00	7.50	6.00	4	0.75	18.00	105	6	34S0300-2-1	24.00	105	3	34S0300-4-1	5 PSIG
3.50"	6.00	8.50	7.00	8	0.75	18.00	121	8	34S0350-2-1	24.00	121	4	34S0350-4-1	5 PSIG
4"	6.00	9.00	7.50	8	0.75	18.00	137	11	34S0400-2-1	24.00	137	5	34S0400-4-1	5 PSIG
5"	6.00	10.00	8.50	8	0.88	18.00	168	20	34S0500-2-1	24.00	168	10	34S0500-4-1	5 PSIG
6"	6.00	11.00	9.50	8	0.88	20.00	197	24	34S0600-2-1	26.00	197	12	34S0600-4-1	5 PSIG
8"	6.00	13.50	11.75	8	0.88	20.00	263	55	34S0800-2-1	30.00	263	19	34S0800-4-1	5 PSIG
10"	6.00	16.00	14.25	12	1.00	20.00	275	90	34S1000-2-1	30.00	275	31	34S1000-4-1	5 PSIG
12"	6.00	19.00	17.00	12	1.00	22.00	329	115	34S1200-2-1	32.00	329	43	34S1200-4-1	5 PSIG
14"	6.00	21.00	18.75	12	1.13	22.00	255	125	34S1400-2-1	32.00	255	47	34S1400-4-1	5 PSIG
16"	6.00	23.50	21.25	16	1.13	22.00	289	182	34S1600-2-1	32.00	289	68	34S1600-4-1	5 PSIG
18"	6.00	25.00	22.75	16	1.25	24.00	324	200	34S1800-2-1	36.00	324	71	34S1800-4-1	5 PSIG
20"	6.00	27.50	25.00	20	1.25	24.00	356	267	34S2000-2-1	38.00	356	83	34S2000-4-1	5 PSIG
22"	6.00	29.50	27.25	20	1.38	26.00	392	284	34S2200-2-1	40.00	392	96	34S2200-4-1	5 PSIG
24"	6.00	32.00	29.50	20	1.38	28.00	424	298	34S2400-2-1	42.00	424	109	34S2400-4-1	5 PSIG

**OPTIONS:**

- Longer / Shorter Lengths
- Special Drilled / Metric Flanges
- T-304, T-316, and T-321 Stainless Steel Flanges
- Inconel 625 and Alloy "X" Bellows
- Increasing / Reducing Flanges

**NOTES:**

- If Flow Liners Are Required, Use Model 35LX to Achieve Full Rated Movement.
- Consult DME Engineering Department For Other Possible Movement Combinations.

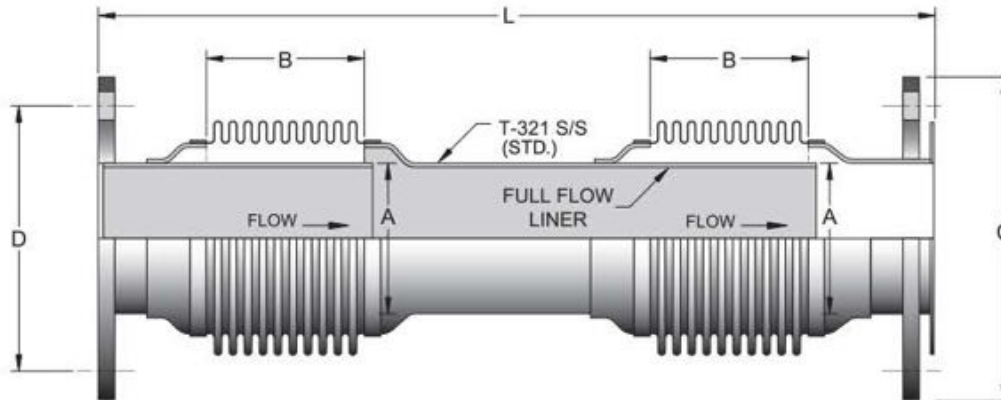




# FULL FLOW UNIVERSAL ISOLATORS

## TYPE 35LX - T-321 S/S BELLOWS, A 36 C/S 125/150# ANSI FLANGES FIXED X FLOATING, T-321 S/S FLOW LINER

AN OVERSIZED BELLOWS ALLOWS FOR A LARGER DIAMETER FLOW LINER, THUS ELIMINATING THE RESTRICTION OF THE GAS FLOW. IF THE FLOW VELOCITY IS EQUAL TO OR GREATER THAN 25 FT/SEC. IN 8" AND OVER OR 4 FT/SEC/INCH OF DIAMETER IN 6" AND UNDER, A FLOW LINER MUST BE USED TO PREVENT FLOW INDUCED VIBRATION.



### TYPE 35LX - MULTI-PLY BELLOWS (30,000+ CYCLES)

SIZE					2" LATERAL + 1" AXIAL COMPR.					4" LATERAL + 1" AXIAL COMPR.					MAX. PRESS. @ 1000 DEG F.
SIZE	A	B	C	D	HOLE DIA.	L	AXIAL SPRING RATE # / INCH	LAT. SPRING RATE # / INCH	PART NO.	L	AXIAL SPRING RATE # / INCH	LAT. SPRING RATE # / INCH	PART NO.		
3"	3.00	4.00	7.50	6.00	0.75	30.00	73	3	35M0300-2-1LX	36.00	73	3	35M0300-4-1LX	5 PSIG	
3.50"	3.50	4.50	8.50	7.00	0.75	30.00	62	4	35M0350-2-1LX	36.00	62	4	35M0350-4-1LX	5 PSIG	
4"	4.00	4.50	9.00	7.50	0.75	30.00	82	6	35M0400-2-1LX	36.00	82	6	35M0400-4-1LX	5 PSIG	
5"	5.00	5.00	10.00	8.50	0.88	30.00	86	8	35M0500-2-1LX	38.00	86	8	35M0500-4-1LX	5 PSIG	
6"	6.00	5.00	11.00	9.50	0.88	32.00	108	13	35M0600-2-1LX	42.00	108	13	35M0600-4-1LX	5 PSIG	
8"	8.00	5.00	13.50	11.75	0.88	32.00	77	13	35M0800-2-1LX	42.00	77	13	35M0800-4-1LX	5 PSIG	
10"	10.00	5.00	16.00	14.25	1.00	32.00	90	21	35M1000-2-1LX	42.00	90	21	35M1000-4-1LX	5 PSIG	
12"	12.00	5.75	19.00	17.00	1.00	32.00	91	30	35M1200-2-1LX	42.00	91	30	35M1200-4-1LX	5 PSIG	
14"	14.00	5.25	21.00	18.75	1.13	32.00	80	33	35M1400-2-1LX	42.00	80	33	35M1400-4-1LX	5 PSIG	
16"	16.00	5.25	23.50	21.25	1.13	32.00	88	45	35M1600-2-1LX	42.00	88	45	35M1600-4-1LX	5 PSIG	
18"	18.00	5.25	25.00	22.75	1.25	34.00	98	50	35M1800-2-1LX	44.00	98	50	35M1800-4-1LX	5 PSIG	
20"	20.00	6.00	27.50	25.00	1.25	34.00	92	61	35M2000-2-1LX	44.00	92	61	35M2000-4-1LX	5 PSIG	
22"	22.00	6.00	29.50	27.25	1.38	34.00	99	77	35M2200-2-1LX	44.00	99	77	35M2200-4-1LX	5 PSIG	
24"	24.00	6.00	32.00	29.50	1.38	36.00	106	79	35M2400-2-1LX	46.00	106	79	35M2400-4-1LX	5 PSIG	

### TYPE 35LX - SINGLE-PLY BELLOWS (10,000+ CYCLES)

SIZE					2" LATERAL + 1" AXIAL COMPR.					4" LATERAL + 1" AXIAL COMPR.					MAX. PRESS. @ 1000 DEG F.
SIZE	A	B	C	D	HOLE DIA.	L	AXIAL SPRING RATE # / INCH	LAT. SPRING RATE # / INCH	PART NO.	L	AXIAL SPRING RATE # / INCH	LAT. SPRING RATE # / INCH	PART NO.		
3"	3.00	4.00	7.50	6.00	0.75	30.00	138	6	35S0300-2-1LX	36.00	138	3	35S0300-4-1LX	5 PSIG	
3.50"	3.50	4.50	8.50	7.00	0.75	30.00	218	12	35S0350-2-1LX	36.00	218	7	35S0350-4-1LX	5 PSIG	
4"	4.00	4.50	9.00	7.50	0.75	30.00	339	22	35S0400-2-1LX	36.00	339	13	35S0400-4-1LX	5 PSIG	
5"	5.00	5.00	10.00	8.50	0.88	30.00	363	34	35S0500-2-1LX	38.00	363	16	35S0500-4-1LX	5 PSIG	
6"	6.00	5.00	11.00	9.50	0.88	32.00	472	57	35S0600-2-1LX	42.00	472	25	35S0600-4-1LX	5 PSIG	
8"	8.00	5.00	13.50	11.75	0.88	32.00	310	52	35S0800-2-1LX	42.00	310	23	35S0800-4-1LX	5 PSIG	
10"	10.00	5.00	16.00	14.25	1.00	32.00	371	86	35S1000-2-1LX	42.00	371	37	35S1000-4-1LX	5 PSIG	
12"	12.00	5.75	19.00	17.00	1.00	32.00	381	125	35S1200-2-1LX	42.00	381	53	35S1200-4-1LX	5 PSIG	
14"	14.00	5.25	21.00	18.75	1.13	32.00	331	136	35S1400-2-1LX	42.00	331	59	35S1400-4-1LX	5 PSIG	
16"	16.00	5.25	23.50	21.25	1.13	32.00	372	190	35S1600-2-1LX	42.00	372	82	35S1600-4-1LX	5 PSIG	
18"	18.00	5.25	25.00	22.75	1.25	34.00	408	209	35S1800-2-1LX	44.00	408	96	35S1800-4-1LX	5 PSIG	
20"	20.00	6.00	27.50	25.00	1.25	34.00	393	258	35S2000-2-1LX	44.00	393	116	35S2000-4-1LX	5 PSIG	
22"	22.00	6.00	29.50	27.25	1.38	34.00	425	328	35S2200-2-1LX	44.00	425	148	35S2200-4-1LX	5 PSIG	
24"	24.00	6.00	32.00	29.50	1.38	36.00	462	346	35S2400-2-1LX	46.00	462	165	35S2400-4-1LX	5 PSIG	

**OPTIONS:**

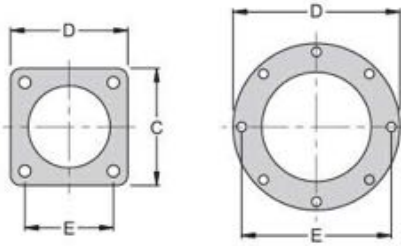
- Longer / Shorter Lengths
- Special Drilled / Metric Flanges
- T-304 Stainless Steel Flanges
- Inconel 625 Bellows
- Increasing / Reducing Flanges

**NOTES:**

- Add "U" for Cummins Inlet Flange, "D" for Detroit Inlet Flange, and "C" for Cat Inlet Flange to the End of the Part Number.
- Axial and Lateral Movements are Concurrent.

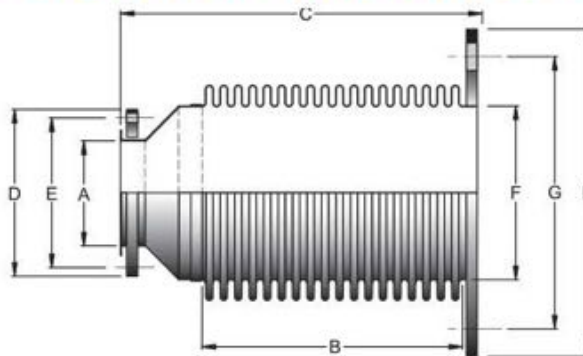


**"MINIMIZES BACK PRESSURE"**



**4", 5", & 6" CAT**

**8"-18" CAT**



### TYPE 37CV - FLANGE X CONE REDUCING FLANGE

T-321 STAINLESS STEEL BELLOWS / FLEX  
 A-36 STEEL CAT. INLET FLANGE  
 T-321 STAINLESS STEEL CONE TRANSITION  
 125/150# A-36 STEEL OUTLET FLANGE

**OPTIONS:**

- Longer / Shorter Lengths
- Inconel 625 Bellows
- Special Drilled / Metric Flanges
- Flow Liner
- T-304, T-316, and T-321 Stainless Steel Flanges

See pages 27-29 for bellows and flex hose specifications.

### TYPE 37CV - MULTI-PLY BELLOWS

INLET FLANGE					INCREASE OUTLET 1 SIZE				INCREASE OUTLET 2 SIZES			
A	B	C	D	E	F	G	H	PART NO.	F	G	H	PART NO.
4"	9.00	16.00	5.50	4.15	5"	8.50	10.00	37M0400-5-16CV	6"	9.50	11.00	37M0400-6-16CV
5"	9.00	16.00	6.50	5.00	6"	9.50	11.00	37M0500-6-16CV	8"	11.75	13.50	37M0500-8-16CV
6"	9.00	16.00	8.00	6.00	8"	11.75	13.50	37M0600-8-16CV	10"	14.25	16.00	37M0600-10-16CV
8"	9.00	16.00	11.00	9.88	10"	14.25	16.00	37M0800-10-16CV	12"	17.00	19.00	37M0800-12-16CV
10"	9.00	16.00	13.50	12.44	12"	17.00	19.00	37M1000-12-16CV	14"	18.75	21.00	37M1000-14-16CV
12"	9.00	16.00	15.75	14.81	14"	18.75	21.00	37M1200-14-16CV	16"	21.25	23.50	37M1200-16-16CV
14"	9.00	16.00	17.10	16.13	16"	21.25	23.50	37M1401-16-16CV	18"	22.75	25.00	37M1401-18-16CV
14"	9.00	16.00	17.94	16.94	16"	21.25	23.50	37M1402-16-16CV	18"	22.75	25.00	37M1402-18-16CV
16"	9.00	16.00	23.50	21.25	18"	22.75	25.00	37M1600-18-16CV	20"	25.00	27.50	37M1600-20-16CV
18"	9.00	16.00	21.85	20.88	20"	25.00	27.50	37M1800-20-16CV	22"	27.25	29.50	37M1800-22-16CV

### TYPE 37CV - SINGLE-PLY BELLOWS

INLET FLANGE					INCREASE OUTLET 1 SIZE				INCREASE OUTLET 2 SIZES			
A	B	C	D	E	F	G	H	PART NO.	F	G	H	PART NO.
4"	9.00	16.00	5.50	4.15	5"	8.50	10.00	37S0400-5-16CV	6"	9.50	11.00	37S0400-6-16CV
5"	9.00	16.00	6.50	5.00	6"	9.50	11.00	37S0500-6-16CV	8"	11.75	13.50	37S0500-8-16CV
6"	9.00	16.00	8.00	6.00	8"	11.75	13.50	37S0600-8-16CV	10"	14.25	16.00	37S0600-10-16CV
8"	9.00	16.00	11.00	9.88	10"	14.25	16.00	37S0800-10-16CV	12"	17.00	19.00	37S0800-12-16CV
10"	9.00	16.00	13.50	12.44	12"	17.00	19.00	37S1000-12-16CV	14"	18.75	21.00	37S1000-14-16CV
12"	9.00	16.00	15.75	14.81	14"	18.75	21.00	37S1200-14-16CV	16"	21.25	23.50	37S1200-16-16CV
14"	9.00	16.00	17.10	16.13	16"	21.25	23.50	37S1401-16-16CV	18"	22.75	25.00	37S1401-18-16CV
14"	9.00	16.00	17.94	16.94	16"	21.25	23.50	37S1402-16-16CV	18"	22.75	25.00	37S1402-18-16CV
16"	9.00	16.00	23.50	21.25	18"	22.75	25.00	37S1600-18-16CV	20"	25.00	27.50	37S1600-20-16CV
18"	9.00	16.00	21.85	20.88	20"	25.00	27.50	37S1800-20-16CV	22"	27.25	29.50	37S1800-22-16CV

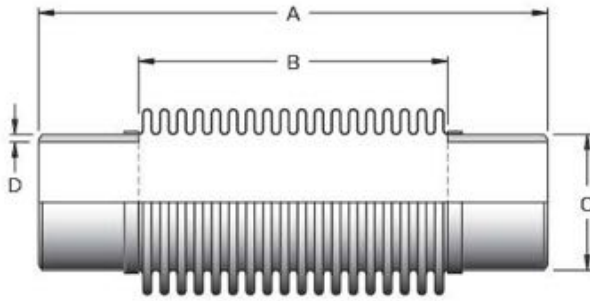
### TYPE 37CV - FLEX HOSE

INLET FLANGE					INCREASE OUTLET 1 SIZE				INCREASE OUTLET 2 SIZES			
A	B	C	D	E	F	G	H	PART NO.	F	G	H	PART NO.
4"	17.00	24.00	5.50	4.15	5"	8.50	10.00	37F0400-5-24CV	6"	9.50	11.00	37F0400-6-24CV
5"	17.00	24.00	6.50	5.00	6"	9.50	11.00	37F0500-6-24CV	8"	11.75	13.50	37F0500-8-24CV
6"	17.00	24.00	8.00	6.00	8"	11.75	13.50	37F0600-8-24CV	10"	14.25	16.00	37F0600-10-24CV
8"	17.00	24.00	11.00	9.88	10"	14.25	16.00	37F0800-10-24CV	12"	17.00	19.00	37F0800-12-24CV
10"	17.00	24.00	13.50	12.44	12"	17.00	19.00	37F1000-12-24CV	14"	18.75	21.00	37F1000-14-24CV
12"	17.00	24.00	15.75	14.81	14"	18.75	21.00	37F1200-14-24CV	16"	21.25	23.50	37F1200-16-24CV
14"	17.00	24.00	17.10	16.13	16"	21.25	23.50	37F1401-16-24CV	18"	22.75	25.00	37F1401-18-24CV
14"	17.00	24.00	17.94	16.94	16"	21.25	23.50	37F1402-16-24CV	18"	22.75	25.00	37F1402-18-24CV
16"	17.00	24.00	23.50	21.25	18"	22.75	25.00	37F1600-18-24CV	20"	25.00	27.50	37F1600-20-24CV
18"	17.00	24.00	21.85	20.88	20"	25.00	27.50	37F1800-20-24CV	22"	27.25	29.50	37F1800-22-24CV

# VIBRATION ISOLATORS

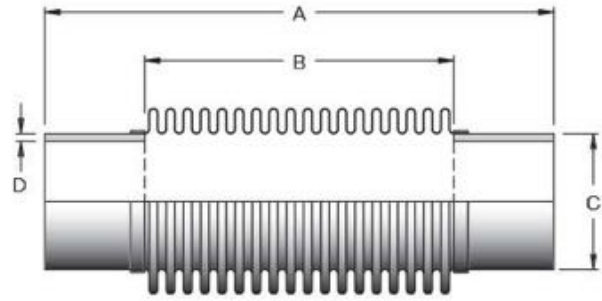
## TYPE 38 - BEVELED WELD ENDS

T-321 STAINLESS STEEL BELLOWS / FLEX  
37 DEGREE BEVELED PIPE WELD ENDS



## TYPE 39 - SQUARE CUT TUBE ENDS

T-321 STAINLESS STEEL BELLOWS / FLEX  
SQUARE CUT TUBE ENDS



### TYPE 38 - MULTI-PLY BELLOWS

SIZE	A	B	C	D	C/S PIPE	S/S PIPE
3"	15.00	9.00	3.50	S-40	38M0300-15	38M0300-15H
3-1/2"	15.00	9.00	4.00	S-40	38M0350-15	38M0350-15H
4"	15.00	9.00	4.50	S-40	38M0400-15	38M0400-15H
5"	15.00	9.00	5.56	S-40	38M0500-15	38M0500-15H
6"	15.00	9.00	6.63	S-40	38M0600-15	38M0600-15H
8"	15.00	9.00	8.63	S-40	38M0800-15	38M0800-15H
10"	15.00	9.00	10.75	S-40	38M1000-15	38M1000-15H
12"	15.00	9.00	12.75	STD.	38M1200-15	38M1200-15H
14"	15.00	9.00	14.00	STD.	38M1400-15	38M1400-15H
16"	15.00	9.00	16.00	STD.	38M1600-15	38M1600-15H
18"	15.00	9.00	18.00	STD.	38M1800-15	38M1800-15H
20"	15.00	9.00	20.00	STD.	38M2000-15	38M2000-15H
22"	15.00	9.00	22.00	STD.	38M2200-15	38M2200-15H
24"	15.00	9.00	24.00	STD.	38M2400-15	38M2400-15H

### TYPE 39 - MULTI-PLY BELLOWS

SIZE	A	B	C	D	C/S TUBE	S/S TUBE
3"	17.00	9.00	3.00	.065	39M0300-17	39M0300-17H
3-1/2"	17.00	9.00	3.50	.065	39M0350-17	39M0350-17H
4"	17.00	9.00	4.00	.065	39M0400-17	39M0400-17H
5"	17.00	9.00	5.00	.065	39M0500-17	39M0500-17H
6"	17.00	9.00	6.00	.065	39M0600-17	39M0600-17H
8"	17.00	9.00	8.00	.105	39M0800-17	39M0800-17H
10"	17.00	9.00	10.00	.135	39M1000-17	39M1000-17H
12"	17.00	9.00	12.00	.109	39M1200-17	39M1200-17H
14"	17.00	9.00	14.00	.109	39M1400-17	39M1400-17H
16"	17.00	9.00	16.00	.109	39M1600-17	39M1600-17H
18"	17.00	9.00	18.00	.135	39M1800-17	39M1800-17H
20"	17.00	9.00	20.00	.135	39M2000-17	39M2000-17H
22"	17.00	9.00	22.00	.135	39M2200-17	39M2200-17H
24"	17.00	9.00	24.00	.135	39M2400-17	39M2400-17H

### TYPE 38 - SINGLE-PLY BELLOWS

SIZE	A	B	C	D	C/S PIPE	S/S PIPE
3"	15.00	9.00	3.50	S-40	38S0300-15	38S0300-15H
3-1/2"	15.00	9.00	4.00	S-40	38S0350-15	38S0350-15H
4"	15.00	9.00	4.50	S-40	38S0400-15	38S0400-15H
5"	15.00	9.00	5.56	S-40	38S0500-15	38S0500-15H
6"	15.00	9.00	6.63	S-40	38S0600-15	38S0600-15H
8"	15.00	9.00	8.63	S-40	38S0800-15	38S0800-15H
10"	15.00	9.00	10.75	S-40	38S1000-15	38S1000-15H
12"	15.00	9.00	12.75	STD.	38S1200-15	38S1200-15H
14"	15.00	9.00	14.00	STD.	38S1400-15	38S1400-15H
16"	15.00	9.00	16.00	STD.	38S1600-15	38S1600-15H
18"	15.00	9.00	18.00	STD.	38S1800-15	38S1800-15H
20"	15.00	9.00	20.00	STD.	38S2000-15	38S2000-15H
22"	15.00	9.00	22.00	STD.	38S2200-15	38S2200-15H
24"	15.00	9.00	24.00	STD.	38S2400-15	38S2400-15H

### TYPE 39 - SINGLE-PLY BELLOWS

SIZE	A	B	C	D	C/S TUBE	S/S TUBE
3"	17.00	9.00	3.00	.065	39S0300-17	39S0300-17H
3-1/2"	17.00	9.00	3.50	.065	39S0350-17	39S0350-17H
4"	17.00	9.00	4.00	.065	39S0400-17	39S0400-17H
5"	17.00	9.00	5.00	.065	39S0500-17	39S0500-17H
6"	17.00	9.00	6.00	.065	39S0600-17	39S0600-17H
8"	17.00	9.00	8.00	.105	39S0800-17	39S0800-17H
10"	17.00	9.00	10.00	.135	39S1000-17	39S1000-17H
12"	17.00	9.00	12.00	.109	39S1200-17	39S1200-17H
14"	17.00	9.00	14.00	.109	39S1400-17	39S1400-17H
16"	17.00	9.00	16.00	.109	39S1600-17	39S1600-17H
18"	17.00	9.00	18.00	.135	39S1800-17	39S1800-17H
20"	17.00	9.00	20.00	.135	39S2000-17	39S2000-17H
22"	17.00	9.00	22.00	.135	39S2200-17	39S2200-17H
24"	17.00	9.00	24.00	.135	39S2400-17	39S2400-17H

### TYPE 38 - FLEX HOSE

SIZE	A	B	C	D	C/S PIPE	S/S PIPE
3"	23.00	17.00	3.50	S-40	38F0300-23	38F0300-23H
3-1/2"	23.00	17.00	4.00	S-40	38F0350-23	38F0350-23H
4"	23.00	17.00	4.50	S-40	38F0400-23	38F0400-23H
5"	23.00	17.00	5.56	S-40	38F0500-23	38F0500-23H
6"	23.00	17.00	6.63	S-40	38F0600-23	38F0600-23H
8"	23.00	17.00	8.63	S-40	38F0800-23	38F0800-23H
10"	23.00	17.00	10.75	S-40	38F1000-23	38F1000-23H
12"	23.00	17.00	12.75	STD.	38F1200-23	38F1200-23H
14"	23.00	17.00	14.00	STD.	38F1400-23	38F1400-23H
16"	23.00	17.00	16.00	STD.	38F1600-23	38F1600-23H
18"	23.00	17.00	18.00	STD.	38F1800-23	38F1800-23H

### TYPE 39 - FLEX HOSE

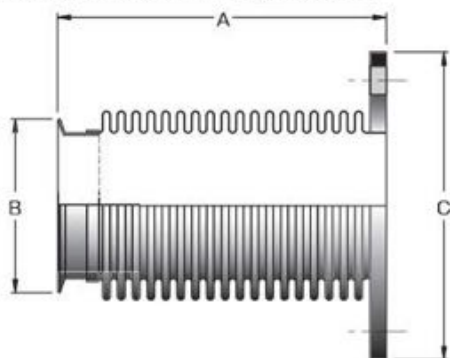
SIZE	A	B	C	D	C/S TUBE	S/S TUBE
3"	25.00	17.00	3.00	.065	39F0300-25	39F0300-25H
3-1/2"	25.00	17.00	3.50	.065	39F0350-25	39F0350-25H
4"	25.00	17.00	4.00	.065	39F0400-25	39F0400-25H
5"	25.00	17.00	5.00	.065	39F0500-25	39F0500-25H
6"	25.00	17.00	6.00	.065	39F0600-25	39F0600-25H
8"	25.00	17.00	8.00	.105	39F0800-25	39F0800-25H
10"	25.00	17.00	10.00	.135	39F1000-25	39F1000-25H
12"	25.00	17.00	12.00	.109	39F1200-25	39F1200-25H
14"	25.00	17.00	14.00	.109	39F1400-25	39F1400-25H
16"	25.00	17.00	16.00	.109	39F1600-25	39F1600-25H
18"	25.00	17.00	18.00	.135	39F1800-25	39F1800-25H

See pages 4-6 for bellows and flex hose specifications.

WUKESHA FACTORY REPLACEMENT BELLOWS

TYPE 41W - FLANGE X 20 DEG LIP FLANGE

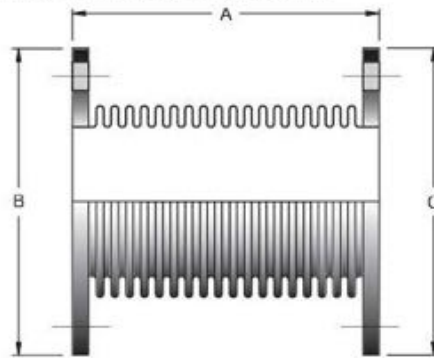
T-321 STAINLESS STEEL BELLOWS  
 T-321 S/S WUKESHA LIP FLANGE  
 125-150# ANSI FLANGE OUTLET, A-36 STEEL



SIZE	A	B	C	MULTI-PLY	SINGLE-PLY
5"	8.00	6.13	10.00	41M0500-8W	41S0500-8W
6"	8.00	6.75	11.00	41M0600-8W	41S0600-8W
8"	8.00	9.00	13.50	41M0800-8W	41S0800-8W
12"	8.00	13.00	19.00	41M1200-8W	41S1200-8W
14"	8.00	15.13	21.00	41M1400-8W	41S1400-8W

TYPE 42 - FIXED X FIXED (ANSI)

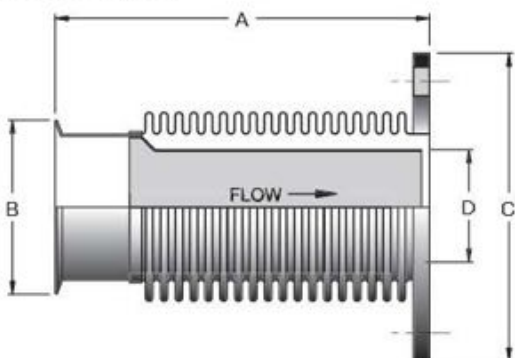
T-321 STAINLESS STEEL BELLOWS  
 125-150# ANSI FLANGE INLET, A-36 STEEL  
 125-150# ANSI FLANGE OUTLET, A-36 STEEL



SIZE	A	B	C	MULTI-PLY	SINGLE-PLY
5"	8.00	10.00	10.00	42M0500-8	42S0500-8
6"	8.00	11.00	11.00	42M0600-8	42S0600-8
8"	8.00	13.50	13.50	42M0800-8	42S0800-8
10"	8.00	16.00	16.00	42M1000-8	42S1000-8
12"	8.00	19.00	19.00	42M1200-8	42S1200-8
14"	8.00	21.00	21.00	42M1400-8	42S1400-8

TYPE 41LW - FLANGE X 20 DEG LIP FLANGE

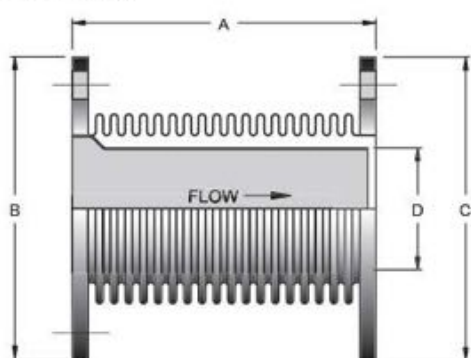
T-321 STAINLESS STEEL BELLOWS  
 T-321 S/S WUKESHA LIP FLANGE  
 125-150# ANSI FLANGE OUTLET, A-36 STEEL  
 T-321 S/S FLOW LINER



SIZE	A	B	C	D	MULTI-PLY	SINGLE-PLY
5"	8.00	6.13	10.00	4.38	41M0500-8LW	41S0500-8LW
6"	8.00	6.75	11.00	5.38	41M0600-8LW	41S0600-8LW
8"	8.00	9.00	13.50	7.38	41M0800-8LW	41S0800-8LW
12"	8.00	13.00	19.00	11.38	41M1200-8LW	41S1200-8LW
14"	8.00	15.13	21.00	13.38	41M1400-8LW	41S1400-8LW

TYPE 42L - FIXED X FIXED (ANSI)

T-321 STAINLESS STEEL BELLOWS  
 125-150# ANSI FLANGE INLET, A-36 STEEL  
 125-150# ANSI FLANGE OUTLET, A-36 STEEL  
 T-321 S/S FLOW LINER



SIZE	A	B	C	D	MULTI-PLY	SINGLE-PLY
5"	8.00	10.00	10.00	4.38	42M0500-8L	42S0500-8L
6"	8.00	11.00	11.00	5.38	42M0600-8L	42S0600-8L
8"	8.00	13.50	13.50	7.38	42M0800-8L	42S0800-8L
10"	8.00	16.50	16.00	9.38	42M1000-8L	42S1000-8L
12"	8.00	19.00	19.00	11.38	42M1200-8L	42S1200-8L
14"	8.00	21.00	21.00	13.38	42M1400-8L	42S1400-8L

OPTIONS:

- Longer / Shorter Lengths
- Increasing / Reducing Flanges
- Special Drilled / Metric Flanges
- T-304, T-316, and T-321 Stainless Steel Flanges
- Inconel 625 and Alloy "X" Bellows

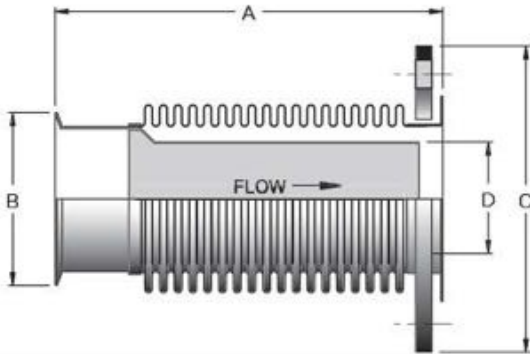
NOTES:

- For Optional "Venturi", Consult the Factory.
- Standard Flow Liner Diameter "D" Limits Lateral Offset to 3/8" For Increased Offset "D" Must Be Reduced.
- Internal Flow Liners are Required if Flow Conditions are Equal or Greater Than the Following:
  - 6" and Under (Gas / Steam) - 4ft/sec/inch of Diameter.
  - 8" and Over (Gas / Steam) - 25ft/sec.

## WAUKESHA FACTORY REPLACEMENT BELLOWS

### TYPE 41LWX - FLOATING FLANGE X LIP FLANGE

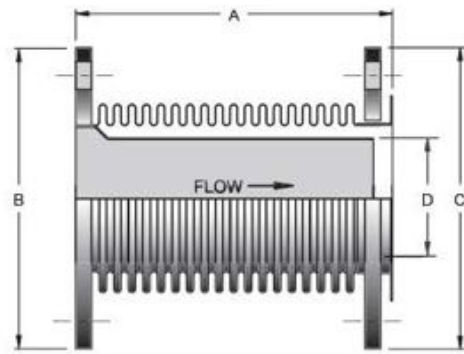
T-321 STAINLESS STEEL BELLOWS  
 T-321 S/S WAUKESHA LIP FLANGE  
 125-150# ANSI FLANGE OUTLET, A-36 STEEL  
 T-321 S/S FLOW LINER



SIZE	A	B	C	D	MULTI-PLY	SINGLE-PLY
5"	8.00	6.13	10.00	4.38	41M0500-8LWX	41S0500-8LWX
6"	8.00	6.75	11.00	5.38	41M0600-8LWX	41S0600-8LWX
8"	8.00	9.00	13.50	7.38	41M0800-8LWX	41S0800-8LWX
12"	8.00	13.00	19.00	11.38	41M1200-8LWX	41S1200-8LWX
14"	8.00	15.13	21.00	13.38	41M1400-8LWX	41S1400-8LWX

### TYPE 42LX - FIXED X FLOATING (ANSI)

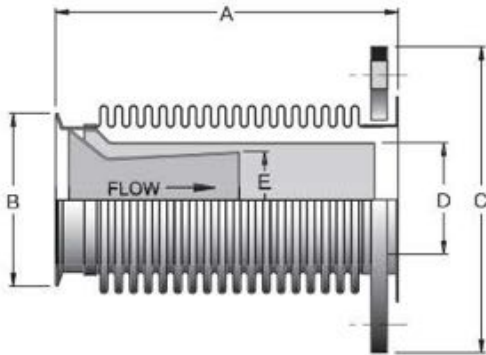
T-321 STAINLESS STEEL BELLOWS  
 125-150# ANSI FLANGE INLET, A-36 STEEL  
 125-150# ANSI FLANGE OUTLET, A-36 STEEL  
 T-321 S/S FLOW LINER



SIZE	A	B	C	D	MULTI-PLY	SINGLE-PLY
5"	8.00	10.00	10.00	4.38	42M0500-8LX	42S0500-8LX
6"	8.00	11.00	11.00	5.38	42M0600-8LX	42S0600-8LX
8"	8.00	13.50	13.50	7.38	42M0800-8LX	42S0800-8LX
10"	8.00	16.50	16.00	9.38	42M1000-8LX	42S1000-8LX
12"	8.00	19.00	19.00	11.38	42M1200-8LX	42S1200-8LX
14"	8.00	21.00	21.00	13.38	42M1400-8LX	42S1400-8LX

### TYPE 43LWX - FIXED FLANGE X LIP FLANGE

T-321 STAINLESS STEEL BELLOWS  
 T-321 S/S WAUKESHA LIP FLANGE  
 125-150# ANSI FLOATING FLANGE OUTLET, A-36 STEEL  
 T-321 S/S FLOW LINER,  
 T-321 S/S VENTURI



SIZE	A	B	C	D	E	MULTI-PLY	SINGLE-PLY
6"	7.62	6.75	11.00	5.38	4.50	43M0600-8LWX	43S0600-8LWX

#### OPTIONS:

- Longer / Shorter Lengths
- Increasing / Reducing Flanges
- Special Drilled / Metric Flanges
- T-304, T-316, and T-321 Stainless Steel Flanges
- Inconel 625 and Alloy "X" Bellows

#### NOTES:

- T-321 Stainless Steel Vanstone (Standard).
- For Optional "Venturi", Consult the Factory.
- Standard Flow Liner Diameter "D" Limits Lateral Offset to 3/8" For Increased Offset "D" Must Be Reduced.
- Internal Flow Liners are Required if Flow Conditions are Equal or Greater Than the Following:
  - 6" and Under (Gas / Steam) - 4ft/sec/inch of Diameter.
  - 8" and Over (Gas / Steam) - 25ft/sec.



"Type 43LWX Bellows with Venturi"



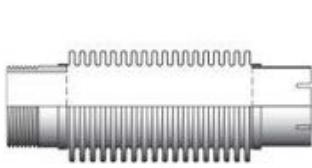
DME INCORPORATED

**“MORE POSSIBLE CONFIGURATIONS”**

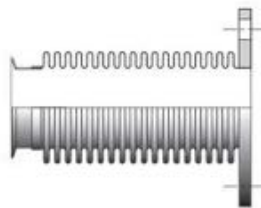
With over 35 years of experience, the design team at DME Incorporated will help you select the right product for your application. Shown below are more assembly configurations with the corresponding type number.

These examples along with the other connectors in this catalog will give you the basis to tell us exactly what you want for your particular system.

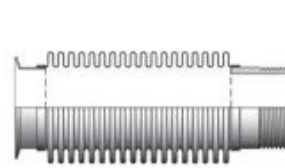
DME Incorporated maintains an extensive inventory of exhaust components and sub-assemblies, which allows us to manufacture custom assemblies quickly and efficiently. In turn, our customers save time and money in the field by not trying to make incompatible products fit their application requirements.



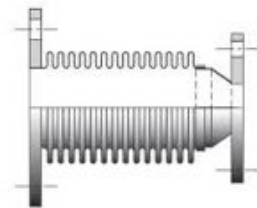
**TYPE 6: MALE NPT THREAD X  
SLOTTED CUFF**



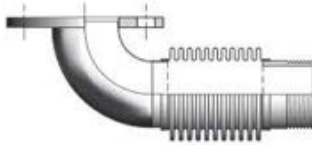
**TYPE 7: 20° LIP FLANGE X  
FLANGE**



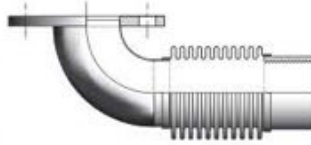
**TYPE 8: 20° LIP FLANGE X MALE  
NPT THREAD**



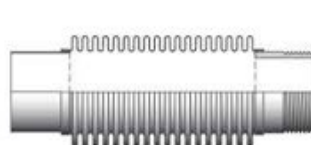
**TYPE 14: FLANGE X CONE  
REDUCING FLANGE**



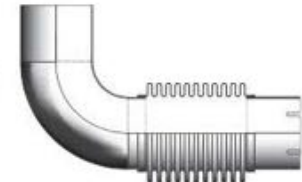
**TYPE 15: FLANGED 90° ELBOW X  
MALE NPT THREAD**



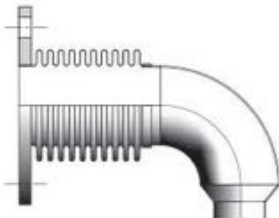
**TYPE 16: FLANGED 90° ELBOW X  
FEMALE NPT COUPLING**



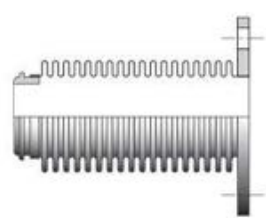
**TYPE 18: O.D. TUBE X MALE NPT  
THREAD**



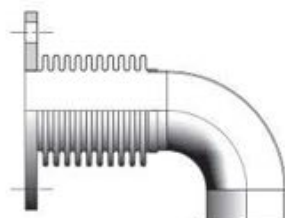
**TYPE 19: O.D. TUBE 90° ELBOW  
X SLOTTED CUFF**



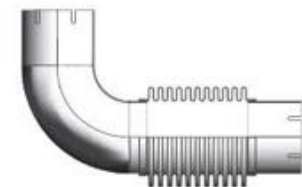
**TYPE 20: REDUCING O.D. TUBE  
90° ELBOW X FLANGE**



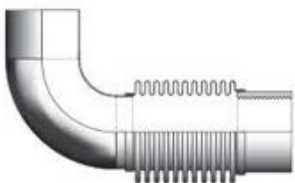
**TYPE 21: TURBO FLANGE X  
FLANGE**



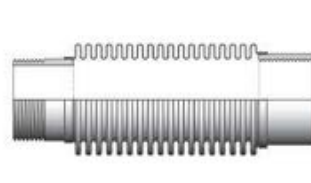
**TYPE 22: 20° LIP FLANGE 90°  
ELBOW X FLANGE**



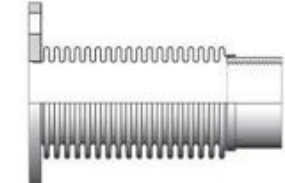
**TYPE 23: SLOTTED CUFF 90°  
ELBOW X SLOTTED CUFF**



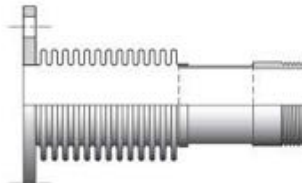
**TYPE 24: O.D. TUBE 90° ELBOW X  
FEMALE NPT COUPLING**



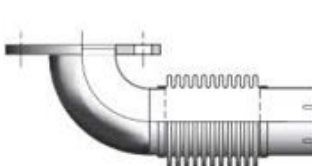
**TYPE 26: MALE NPT THREAD X  
FEMALE NPT COUPLING**



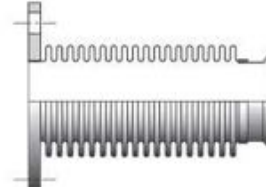
**TYPE 27: FEMALE NPT  
COUPLING X FLANGE**



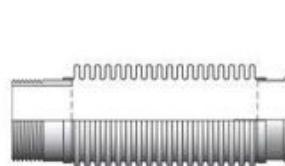
**TYPE 29: FLANGE X SPACER X  
MALE NPT THREAD**



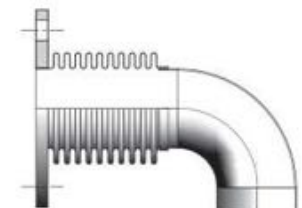
**TYPE 44: 90° FLANGED ELBOW X  
SLOTTED CUFF**



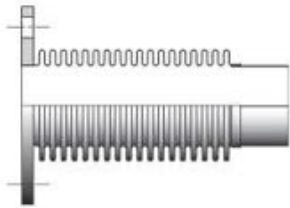
**TYPE 45: FIXED FLANGE X 45°  
JOHN DEERE LIP FLANGE**



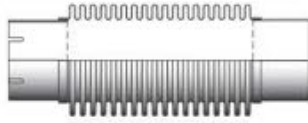
**TYPE 46: 45° JOHN DEERE LIP  
FLANGE X MALE NPT**



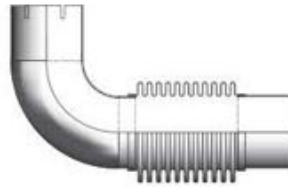
**TYPE 47: 90° FLANGED ELBOW  
X 45° JOHN DEERE LIP FLANGE**



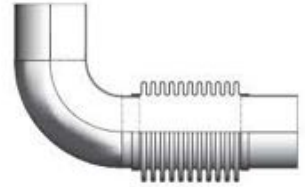
**TYPE 48:** FIXED FLANGE X  
O.D. TUBE



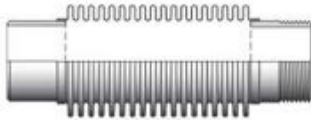
**TYPE 49:** SLOTTED CUFF X  
O.D. TUBE



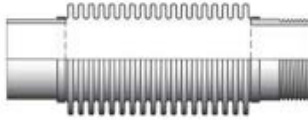
**TYPE 51:** 90° SLOTTED CUFF  
ELBOW X O.D. TUBE



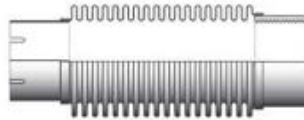
**TYPE 52:** 90° O.D. TUBE ELBOW X  
O.D. TUBE



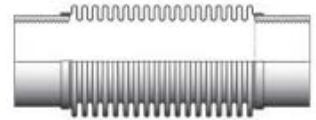
**TYPE 53:** BEVELED WELD END X  
MALE NPT



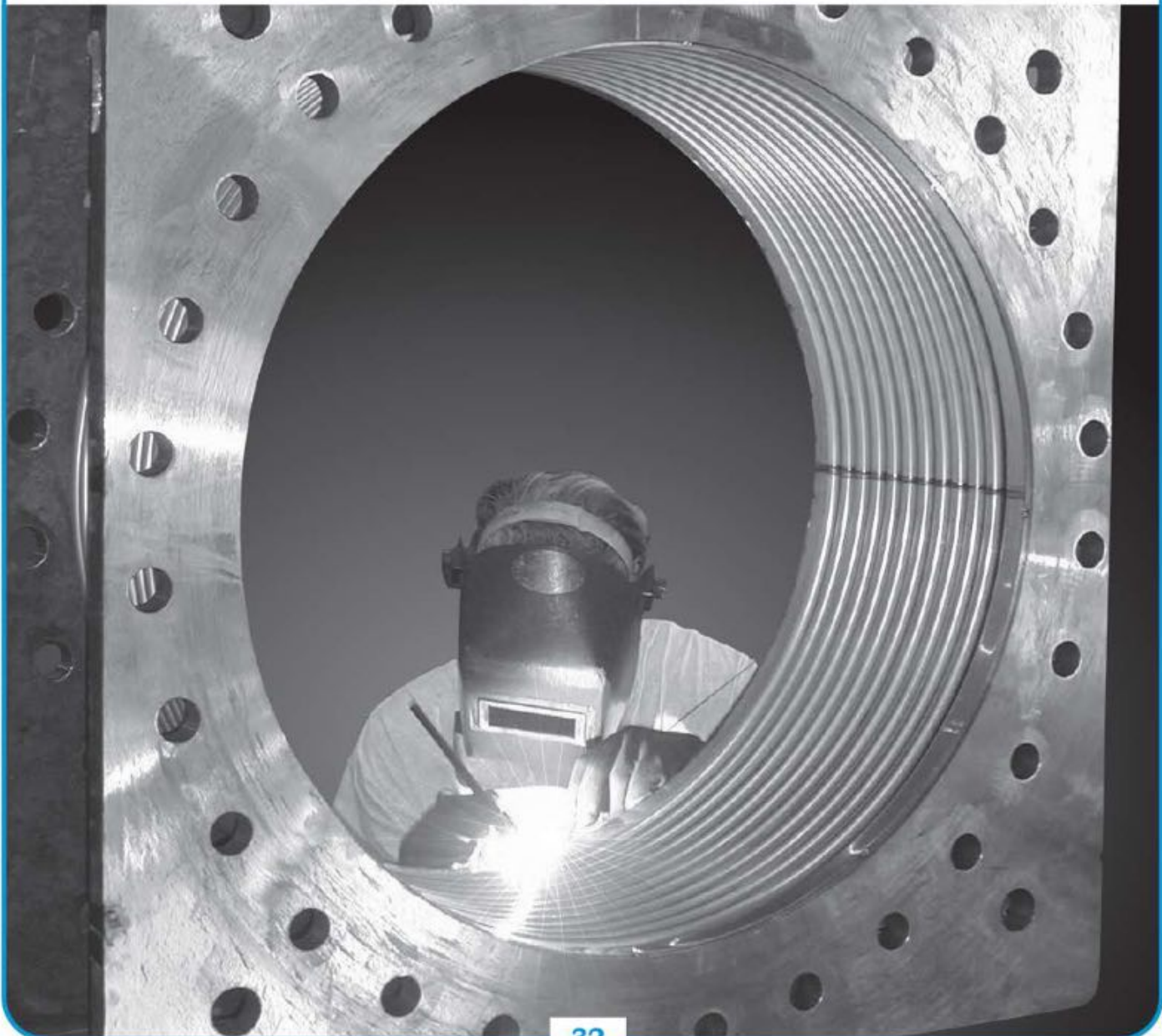
**TYPE 54:** SQUARE CUT END X  
MALE NPT



**TYPE 55:** SLOTTED CUFF X  
FEMALE NPT



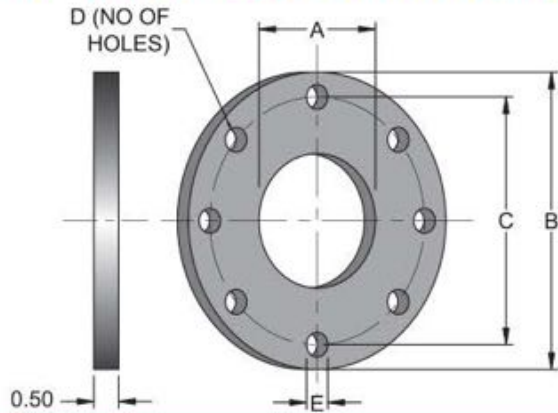
**TYPE 56:** FEMALE NPT EACH END





# EXHAUST FLANGES

## 1/2" THICK A-36 STEEL WITH 125/150# DRILLING



### OPTIONS:

- T-304 Stainless Steel  
\* Add "H" at the End of the Part Number.
- T-316 Stainless Steel  
\* Add "E" at the End of the Part Number.
- Split Flanges are Available.

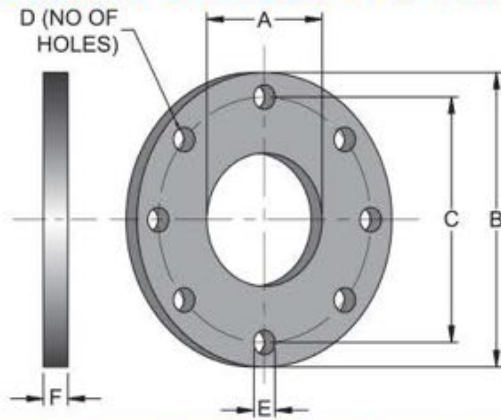
### NOTE:

1-1/2" - 24" are Drilled to ANSI B16.5 Specifications  
26" - Up are Drilled to AWWA Class "D" Specifications

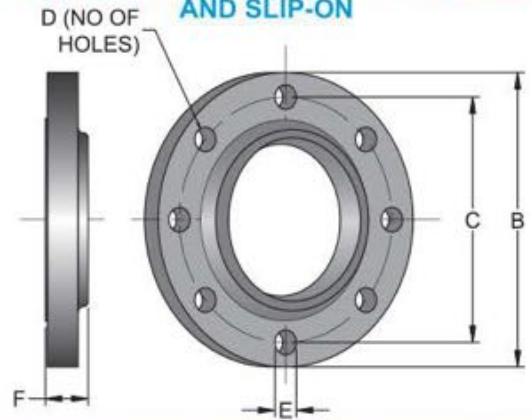
PIPE / TUBE SIZE	STANDARD ANSI FLANGES						REDUCING ANSI FLANGES			
	A I.D.	B O.D.	C B.C.	D	E	PART NO.	ONE SIZE		TWO SIZES	
							A I.D.	PART NO.	A I.D.	PART NO.
1.50" TUBE	1.56	5.00	3.88	4	0.63	F0150T	1.31	F0150T-1.25	0.81	F0150-75
1.50" PIPE	1.95	5.00	3.88	4	0.63	F0150P	1.70	F0150P-1.25	1.09	F0150-75
2" TUBE	2.06	6.00	4.75	4	0.75	F0200T	1.56	F0200T-1.50	1.31	F0200T-1.25
2" PIPE	2.44	6.00	4.75	4	0.75	F0200P	1.95	F0200P-1.50	1.70	F0200P-1.25
2.50" TUBE	2.56	7.00	5.50	4	0.75	F0250T	2.06	F0250T-2	1.56	F0250T-1.50
2.50" PIPE	2.94	7.00	5.50	4	0.75	F0250P	2.44	F0250P-2	1.95	F0250P-1.50
3" TUBE	3.06	7.50	6.00	4	0.75	F0300T	2.56	F0300T-2.50	2.06	F0300T-2
3" PIPE	3.57	7.50	6.00	4	0.75	F0300P	2.94	F0300P-2.50	2.44	F0300P-2
3.50" TUBE	3.56	8.50	7.00	8	0.75	F0350T	3.06	F0350T-3	2.56	F0350T-2.50
3.50" PIPE	4.07	8.50	7.00	8	0.75	F0350P	3.57	F0350P-3	2.94	F0350P-2.50
4" TUBE	4.06	9.00	7.50	8	0.75	F0400T	3.56	F0400T-3.50	3.06	F0400T-3
4" PIPE	4.57	9.00	7.50	8	0.75	F0400P	4.07	F0400P-3.50	3.57	F0400P-3
5" TUBE	5.06	10.00	8.50	8	0.88	F0500T	4.06	F0500T-4	3.56	F0500T-3.50
5" PIPE	5.66	10.00	8.50	8	0.88	F0500P	4.57	F0500P-4	4.07	F0500P-3.50
6" TUBE	6.06	11.00	9.50	8	0.88	F0600T	5.06	F0600T-5	4.06	F0600T-4
6" PIPE	6.72	11.00	9.50	8	0.88	F0600P	5.66	F0600P-5	4.57	F0600P-4
8" TUBE	8.06	13.50	11.75	8	0.88	F0800T	6.06	F0800T-6	5.06	F0800T-5
8" PIPE	8.72	13.50	11.75	8	0.88	F0800P	6.72	F0800P-6	5.66	F0800P-5
10" TUBE	10.06	16.00	14.25	12	1.00	F1000T	8.06	F1000T-8	6.06	F1000T-6
10" PIPE	10.88	16.00	14.25	12	1.00	F1000P	8.72	F1000P-8	6.72	F1000P-6
12" TUBE	12.06	19.00	17.00	12	1.00	F1200T	10.06	F1200T-10	8.06	F1200T-8
12" PIPE	12.88	19.00	17.00	12	1.00	F1200P	10.88	F1200P-10	8.72	F1200P-8
14" PIPE	14.13	21.00	18.75	12	1.13	F1400	12.88	F1400-12	10.88	F1400-10
16" PIPE	16.13	23.50	21.25	16	1.13	F1600	14.13	F1600-14	12.88	F1600-12
18" PIPE	18.13	25.00	22.75	16	1.25	F1800	16.13	F1800-16	14.13	F1800-14
20" PIPE	20.13	27.50	25.00	20	1.25	F2000	18.13	F2000-18	16.13	F2000-16
22" PIPE	22.13	29.50	27.25	20	1.38	F2200	20.13	F2200-20	18.13	F2200-18
24" PIPE	24.13	32.00	29.50	20	1.38	F2400	22.13	F2400-22	20.13	F2400-20
26" PIPE	26.13	34.25	31.75	24	1.38	F2600	24.13	F2600-24	22.13	F2600-22
28" PIPE	28.13	36.50	34.00	28	1.38	F2800	26.13	F2800-26	24.19	F2800-24
30" PIPE	30.13	38.75	36.00	28	1.38	F3000	28.13	F3000-28	26.13	F3000-26
36" PIPE	36.19	46.00	42.75	32	1.63	F3600	30.13	F3600-30	28.13	F3600-28
42" PIPE	42.13	53.00	49.50	36	1.63	F4200	36.19	F4200-36	30.13	F4200-30
48" PIPE	48.19	59.50	56.00	44	1.63	F4800	42.13	F4800-42	36.19	F4800-36
54" PIPE	54.13	66.25	62.75	44	1.88	F5400	48.19	F5400-48	42.13	F5400-42
60" PIPE	60.13	73.00	69.25	52	1.88	F6000	54.13	F6000-54	48.19	F6000-48

# DME INCORPORATED

**HEAVY DUTY PLATE FLANGE, A 36 STEEL 150#**



**A-105 FORGED STEEL, 150# THREADED AND SLIP-ON**



SIZE	A I.D.	B O.D.	C B.C.	D	E	F THK.	CARBON STEEL PART NO.	FORGED STEEL		F THK.
								SLIP-ON	THREADED*	
1.50"	1.95	5.00	3.88	4	0.63	0.63	FF0150	FG0150	TF0150	0.88
2"	2.44	6.00	4.75	4	0.75	0.63	FF0200	FG0200	TF0200	1.00
2.50"	2.94	7.00	5.50	4	0.75	0.63	FF0250	FG0250	TF0250	1.12
3"	3.57	7.50	6.00	4	0.75	0.63	FF0300	FG0300	TF0300	1.19
3.50"	4.07	8.50	7.00	8	0.75	0.63	FF0350	FG0350	TF0350	1.25
4"	4.57	9.00	7.50	8	0.75	0.63	FF0400	FG0400	TF0400	1.31
5"	5.66	10.00	8.50	8	0.88	0.75	FF0500	FG0500	TF0500	1.44
6"	6.72	11.00	9.50	8	0.88	0.75	FF0600	FG0600	TF0600	1.56
8"	8.72	13.50	11.75	8	0.88	1.00	FF0800	FG0800	TF0800	1.75
10"	10.88	16.00	14.25	12	1.00	1.00	FF1000	FG1000	TF1000	1.94
12"	12.88	19.00	17.00	12	1.00	1.00	FF1200	FG1200	TF1200	2.19
14"	14.13	21.00	18.75	12	1.13	1.00	FF1400	FG1400	N/A	2.25
16"	16.13	23.50	21.25	16	1.13	1.00	FF1600	FG1600	N/A	2.50
18"	18.13	25.00	22.75	16	1.25	1.06	FF1800	FG1800	N/A	2.69
20"	20.13	27.50	25.00	20	1.25	1.13	FF2000	FG2000	N/A	2.88
22"	22.13	29.50	27.25	20	1.38	1.19	FF2200	N/A	N/A	N/A
24"	24.13	32.00	29.50	20	1.38	1.25	FF2400	FG2400	N/A	3.25
26"	26.13	34.25	31.75	24	1.38	1.31	FF2600	N/A	N/A	N/A
28"	28.13	36.50	34.00	28	1.38	1.31	FF2800	N/A	N/A	N/A
30"	30.13	38.75	36.00	28	1.38	1.38	FF3000	N/A	N/A	N/A
36"	36.19	46.00	42.75	32	1.63	1.63	FF3600	N/A	N/A	N/A

NOTE: 1-1/2" - 24" are Drilled to ANSI B16.5 Specifications  
26" - Up are Drilled to AWWA Class "D" Specifications

\* THREADED FLANGES MAY BE CAST

**SPECIAL ENGINE MANIFOLD FLANGES**

SIZE	A I.D.	B O.D.	C B.C.	D	E	F THK.	CARBON STEEL PART NO.	T-304 S/S PART NO.	T-316 S/S PART NO.
5" CUMMINS	5.00	8.06	7.19	8	0.44	0.50	FCU0500	FCU0500H	FCU0500E
6" CUMMINS	6.00	8.06	7.19	8	0.44	0.50	FCU0600	FCU0600H	FCU0600E
8" CAT/DET	8.13	11.00	9.88	8	0.56	0.50	FC0800	FC0800H	FC0800E
10" DETROIT	10.00	13.00	11.88	8	0.63	0.50	FD1000	FD1000H	FD1000E
2.50" CAT	2.50	4.00 SQ.	4.56	4	0.56	0.50	FC0250	FC0250H	FC0250E
3" CAT	3.00	4.00 SQ.	4.56	4	0.56	0.50	FC0300	FC0300H	FC0300E
4" CAT	4.00	5.50 SQ.	5.88	4	0.56	0.50	FC0400	FC0400H	FC0400E
5" CAT	5.00	6.50 SQ.	7.06	4	0.75	0.50	FC0500	FC0500H	FC0500E
6" CAT	6.00	8.00 SQ.	8.50	4	0.75	0.50	FC0600	FC0600H	FC0600E
10" CAT	10.00	13.50	12.44	12	0.50	0.50	FC1000	FC1000H	FC1000E
12" CAT	12.00	15.75	14.81	12	0.50	0.50	FC1200	FC1200H	FC1200E
14" CAT	14.00	17.09	16.13	12	0.50	0.50	FC1400-35	FC1400-35H	FC1400-35E
14" CAT	14.00	17.94	16.94	12	0.56	0.50	FC1400-36	FC1400-36H	FC1400-36E
16" CAT	16.00	23.50	21.25	16	0.81	0.50	FC1600	FC1600H	FC1600E

# RAIN CAPS

## LOW PROFILE



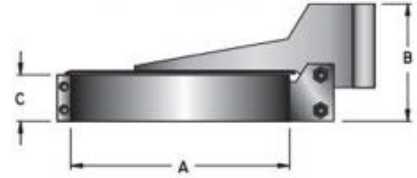
Quiet, rattle resistant design with a very low profile. Lifetime bronze hinge bearings and safety rivets provide worry free operation.

## LIGHTWEIGHT



Economical lightweight raincap design, stamped sheet metal is formed for strength, zinc plated for corrosion resistance.

## STANDARD HEAVY DUTY



Standard construction with bronze hinge bearings. Precision counterweight design for a smooth balanced operation.

SIZE	LOW PROFILE QUIET CAP					LIGHTWEIGHT CAP				
	A	B	C	STEEL P/N	T-304 S/S P/N	A	B	C	STEEL P/N	T-304 S/S P/N
1-1/2" TUBE	N/A	N/A	N/A	N/A	N/A	1.56	1.25	0.88	RCT-1.50	N/A
1-3/4" TUBE	N/A	N/A	N/A	N/A	N/A	1.81	1.38	0.88	RCT-1.75	N/A
2" TUBE	N/A	N/A	N/A	N/A	N/A	2.06	1.63	0.88	RCT-2	N/A
2-1/2" TUBE	N/A	N/A	N/A	N/A	N/A	2.56	1.63	0.88	RCT-2.50	N/A
3" TUBE	N/A	N/A	N/A	N/A	N/A	3.06	1.63	0.88	RCT-3	N/A
3" PIPE	N/A	N/A	N/A	N/A	N/A	3.56	1.63	0.88	RCP-3	N/A
3-1/2" TUBE	N/A	N/A	N/A	N/A	N/A	3.56	1.63	0.88	RCT-3.50	N/A
3-1/2" PIPE	N/A	N/A	N/A	N/A	N/A	4.06	1.63	0.88	RCP-3.50	N/A
4" TUBE	N/A	N/A	N/A	N/A	N/A	4.06	1.63	0.88	RCT-4	N/A
4" PIPE	N/A	N/A	N/A	N/A	N/A	4.56	1.63	0.88	RCP-4	N/A
5" TUBE	5.06	3.25	1.50	RQT-5	RQT-5H	5.06	1.63	0.88	RCT-5	N/A
5" PIPE	5.63	3.25	1.50	RQP-5	RQP-5H	5.63	1.63	0.88	RCP-5	N/A
6" TUBE	6.06	3.25	1.50	RQT-6	RQT-6H	6.06	1.63	0.88	RCT-6	N/A
6" PIPE	6.69	3.25	1.50	RQP-6	RQP-6H	6.69	1.63	0.88	RCP-6	N/A

SIZE	LOW PROFILE QUIET CAP					STANDARD HEAVY DUTY CAP				
	A	B	C	STEEL P/N	T-304 S/S P/N	A	B	C	STEEL P/N	T-304 S/S P/N
8" TUBE	8.06	3.25	1.50	RQT-8	RQT-8H	8.06	7.13	2.63	RCT-8	RCT-8H
8" PIPE	8.69	3.25	1.50	RQP-8	RQP-8H	8.69	7.13	2.63	RCP-8	RCP-8H
10" TUBE	10.06	3.25	1.50	RQT-10	RQT-10H	10.06	7.13	2.63	RCT-10	RCT-10H
10" PIPE	10.81	3.25	1.50	RQP-10	RQP-10H	10.81	7.13	2.63	RCP-10	RCP-10H
12" TUBE	12.06	3.25	1.50	RQT-12	RQT-12H	12.06	7.13	2.63	RCT-12	RCT-12H
12" PIPE	12.81	3.25	1.50	RQP-12	RQP-12H	12.81	7.13	2.63	RCP-12	RCP-12H
14" PIPE	14.06	3.25	1.50	RQP-14	RQP-14H	14.06	7.13	2.63	RCP-14	RCP-14H
16" PIPE	16.06	3.25	1.50	RQP-16	RQP-16H	16.06	7.13	2.63	RCP-16	RCP-16H
18" PIPE	18.06	N/A	N/A	N/A	N/A	18.06	7.13	2.63	RCP-18	RCP-18H
20" PIPE	20.06	N/A	N/A	N/A	N/A	20.06	8.63	4.00	RCP-20	RCP-20H
22" PIPE	22.06	N/A	N/A	N/A	N/A	22.06	8.63	4.00	RCP-22	RCP-22H
24" PIPE	24.06	N/A	N/A	N/A	N/A	24.06	8.63	4.00	RCP-24	RCP-24H

### NOTES:

- All Steel Raincaps Have High Heat Black Finish Except Lightweight Raincaps That Have Zinc Plating.
- All Raincaps Have Lifetime Lubricated Bronze Hinge Bearings.
- T-316 Stainless Steel Rain Caps Available. Change "H" to "E" at the End of the Part Number.
- 45° Rain Caps Available.
- Special Size Rain Caps Available.



CATERPILLAR WYE ASSEMBLIES

CAT 3508 B

PART NUMBER	INLET/OUTLET SIZE	OVERALL HEIGHT	C/L SPREAD	ENGINE OUTLET CONNECTION
SK 110895-10	6 X 6 X 10	33.00"	20.47"	6" CAT FLANGE
SK 110895-12	6 X 6 X 12	33.00"	20.47"	6" CAT FLANGE
SK 110895-14	6 X 6 X 14	33.00"	20.47"	6" CAT FLANGE

CAT 3512 B

PART NUMBER	INLET/OUTLET SIZE	OVERALL HEIGHT	C/L SPREAD	ENGINE OUTLET CONNECTION
SK 62090-14F FLEX HOSE	8 X 8 X 14	39.00"	20.50"	8" CAT FLANGE
SK 62090-14M MULTIPLY BELLOWS	8 X 8 X 14	39.00"	20.50"	8" CAT FLANGE
SK 62090-16F FLEX HOSE	8 X 8 X 16	39.00"	20.50"	8" CAT FLANGE
SK 62090-16M MULTIPLY BELLOWS	8 X 8 X 16	39.00"	20.50"	8" CAT FLANGE
SK 62090-18F FLEX HOSE	8 X 8 X 18	39.00"	20.50"	8" CAT FLANGE
SK 62090-18M MULTIPLY BELLOWS	8 X 8 X 18	39.00"	20.50"	8" CAT FLANGE
DM8421-18F FLEX HOSE	10 X 10 X 18	39.00"	20.50"	8" CAT FLANGE
DM8421-18M MULTIPLY BELLOWS	10 X 10 X 18	39.00"	20.50"	8" CAT FLANGE

CAT 3516

PART NUMBER	INLET/OUTLET SIZE	OVERALL HEIGHT	C/L SPREAD	ENGINE OUTLET CONNECTION
SK 62090-14F FLEX HOSE	8 X 8 X 14	39.00"	20.50"	8" CAT FLANGE
SK 62090-14M MULTIPLY BELLOWS	8 X 8 X 14	39.00"	20.50"	8" CAT FLANGE
SK 62090-16F FLEX HOSE	8 X 8 X 16	39.00"	20.50"	8" CAT FLANGE
SK 62090-16M MULTIPLY BELLOWS	8 X 8 X 16	39.00"	20.50"	8" CAT FLANGE
SK 62090-18F FLEX HOSE	8 X 8 X 18	39.00"	20.50"	8" CAT FLANGE
SK 62090-18M MULTIPLY BELLOWS	8 X 8 X 18	39.00"	20.50"	8" CAT FLANGE
DM8421-18F FLEX HOSE	10 X 10 X 18	39.00"	20.50"	8" CAT FLANGE
DM8421-18M MULTIPLY BELLOWS	10 X 10 X 18	39.00"	20.50"	8" CAT FLANGE

CAT 3516B

PART NUMBER	INLET/OUTLET SIZE	OVERALL HEIGHT	C/L SPREAD	ENGINE OUTLET CONNECTION
SK 62090-14F FLEX HOSE	8 X 8 X 14	39.00"	20.50"	8" CAT FLANGE
SK 62090-14M MULTIPLY BELLOWS	8 X 8 X 14	39.00"	20.50"	8" CAT FLANGE
SK 62090-16F FLEX HOSE	8 X 8 X 16	39.00"	20.50"	8" CAT FLANGE
SK 62090-16M MULTIPLY BELLOWS	8 X 8 X 16	39.00"	20.50"	8" CAT FLANGE
SK 62090-18F FLEX HOSE	8 X 8 X 18	39.00"	20.50"	8" CAT FLANGE
SK 62090-18M MULTIPLY BELLOWS	8 X 8 X 18	39.00"	20.50"	8" CAT FLANGE
DM8421-18F FLEX HOSE	10 X 10 X 18	39.00"	20.50"	8" CAT FLANGE
DM8421-18M MULTIPLY BELLOWS	10 X 10 X 18	39.00"	20.50"	8" CAT FLANGE

### CATERPILLAR WYE ASSEMBLIES

#### CAT C-27 INDUSTRIAL WITH FACTORY TURBO ELBOWS

PART NUMBER	INLET/OUTLET SIZE	OVERALL HEIGHT	C/L SPREAD	ENGINE OUTLET CONNECTION
DM8429-10F FLEX HOSE	6 X 6 X 10	29.81"	46.15"	6" CAT FLANGE
DM8429-10M MULTIPLY BELLOWS	6 X 6 X 10	29.81"	46.15"	6" CAT FLANGE
DM8429-12F FLEX HOSE	6 X 6 X 12	29.81"	46.15"	6" CAT FLANGE
DM8429-12M MULTIPLY BELLOWS	6 X 6 X 12	29.81"	46.15"	6" CAT FLANGE

#### CAT C-32 ATAAC PETROLEUM ENGINE

PART NUMBER	INLET/OUTLET SIZE	OVERALL HEIGHT	C/L SPREAD	ENGINE OUTLET CONNECTION
DM8430-12F FLEX HOSE	8 X 8 X 12	46.00"	78.92"	8" CAT FLANGE
DM8430-12M MULTIPLY BELLOWS	8 X 8 X 12	46.00"	78.92"	8" CAT FLANGE
DM8430-14F FLEX HOSE	8 X 8 X 14	46.00"	78.92"	8" CAT FLANGE
DM8430-14M MULTIPLY BELLOWS	8 X 8 X 14	46.00"	78.92"	8" CAT FLANGE

#### CAT 3208 NA

PART NUMBER	INLET/OUTLET SIZE	OVERALL HEIGHT	C/L SPREAD	ENGINE OUTLET CONNECTION
SK31783-4F FLEX HOSE	3 X 3 X 4	26.00"	30.88"	3" SLOTTED CUFF
SK31783-4M MULTIPLY BELLOWS	3 X 3 X 4	26.00"	30.88"	3" SLOTTED CUFF
SK31783-5F FLEX HOSE	3 X 3 X 5	26.00"	30.88"	3" SLOTTED CUFF
SK31783-5M MULTIPLY BELLOWS	3 X 3 X 5	26.00"	30.88"	3" SLOTTED CUFF

#### CAT G378, 398, 399

PART NUMBER	INLET/OUTLET SIZE	OVERALL HEIGHT	C/L SPREAD	ENGINE OUTLET CONNECTION
SK31092-10F FLEX HOSE	6 X 6 X 10	32.25"	17.00"	6" CAT FLANGE
SK31092-10M MULTIPLY BELLOWS	6 X 6 X 10	32.25"	17.00"	6" CAT FLANGE
SK31092-12F FLEX HOSE	6 X 6 X 12	32.25"	17.00"	6" CAT FLANGE
SK31092-12M MULTIPLY BELLOWS	6 X 6 X 12	32.25"	17.00"	6" CAT FLANGE

### CUMMINS WYE ASSEMBLIES

#### CUMMINS QST 30 G1, G2 G3

PART NUMBER	INLET/OUTLET SIZE	OVERALL HEIGHT	C/L SPREAD	ENGINE OUTLET CONNECTION
SK73098-10F FLEX HOSE	6 X 6 X 10	34.00"	12.81"	6" CUMMINS FLANGE
SK73090-10M MULTIPLY BELLOWS	6 X 6 X 10	34.00"	12.81"	6" CUMMINS FLANGE
SK73090-12F FLEX HOSE	6 X 6 X 12	34.00"	12.81"	6" CUMMINS FLANGE
SK73090-12M MULTIPLY BELLOWS	6 X 6 X 12	34.00"	12.81"	6" CUMMINS FLANGE
SK73090-14F FLEX HOSE	6 X 6 X 14	34.00"	12.81"	6" CUMMINS FLANGE
SK73090-14M MULTIPLY BELLOWS	6 X 6 X 14	34.00"	12.81"	6" CUMMINS FLANGE

CUMMINS WYE ASSEMBLIES

CUMMINS QST 30 G5

PART NUMBER	INLET/OUTLET SIZE	OVERALL HEIGHT	C/L SPREAD	ENGINE OUTLET CONNECTION
DM8337-10F FLEX HOSE	6 X 6 X 10	33.00"	13.93"	6" CUMMINS FLANGE
DM8337-10M MULTIPLY BELLOWS	6 X 6 X 10	33.00"	13.93"	6" CUMMINS FLANGE
DM8337-12F FLEX HOSE	6 X 6 X 12	33.00"	13.93"	6" CUMMINS FLANGE
DM8337-12M MULTIPLY BELLOWS	6 X 6 X 12	33.00"	13.93"	6" CUMMINS FLANGE
DM8337-14F FLEX HOSE	6 X 6 X 14	33.00"	13.93"	6" CUMMINS FLANGE
DM8337-14M MULTIPLY BELLOWS	6 X 6 X 14	33.00" 1	3.93"	6" CUMMINS FLANGE

CUMMINS QSK 50

PART NUMBER	INLET/OUTLET SIZE	OVERALL HEIGHT	C/L SPREAD	ENGINE OUTLET CONNECTION
DM8419-12F FLEX HOSE	6 X 6 X 12	35.00"	18.42"	6" CUMMINS FLANGE
DM8419-12M MULTIPLY BELLOWS	6 X 6 X 12	35.00"	18.42"	6" CUMMINS FLANGE
DM8419-14F FLEX HOSE	6 X 6 X 14	35.00"	18.42"	6" CUMMINS FLANGE
DM8419-14M MULTIPLY BELLOWS	6 X 6 X 14	35.00"	18.42"	6" CUMMINS FLANGE
DM8431-14F FLEX HOSE	8 X 8 X 14	35.00"	18.42"	6" CUMMINS FLANGE
DM8431-14M MULTIPLY BELLOWS	8 X 8 X 14	35.00"	18.42"	6" CUMMINS FLANGE

CUMMINS QSK 78

PART NUMBER	INLET/OUTLET SIZE	OVERALL HEIGHT	C/L SPREAD	ENGINE OUTLET CONNECTION
DM8420-18F FLEX HOSE	12 X 12 X 18	44.00"	31.68"	12" ANSI FLANGE
DM842Q-18M MULTIPLY BELLOWS	12 X 12 X 18	44.00"	31.68"	12" ANSI FLANGE
DM842Q-20F FLEX HOSE	12 X 12 X 20	44.00"	31.68"	12" ANSI FLANGE
DM842Q-20M MULTIPLY BELLOWS	12 X 12 X 20	44.00"	31.68"	12" ANSI FLANGE
DM842Q-22F FLEX HOSE	12 X 12 X 22	44.00"	31.68"	12" ANSI FLANGE
DM842Q-22M MULTIPLY BELLOWS	12 X 12 X 22	44.00"	31.68"	12" ANSI FLANGE
DM8420-24F FLEX HOSE	12 X 12 X 24	44.00"	31.68"	12" ANSI FLANGE
DM842Q-24M MULTIPLY BELLOWS	12 X 12 X 24	44.00"	31.68"	12" ANSI FLANGE

MTU WYE ASSEMBLIES

MTU SERIES 12V2000, 16V2000

650-1000 Kw

PART NUMBER	INLET/OUTLET SIZE	OVERALL HEIGHT	C/L SPREAD	ENGINE OUTLET CONNECTION
DM8428-10F FLEX HOSE	6 X 6 X 10	36.00"	52.50"	6" DETROIT FLANGE
DM8428-10M MULTIPLY BELLOWS	6 X 6 X 10	36.00"	52.50"	6" DETROIT FLANGE
DM8428-12F FLEX HOSE	6 X 6 X 12	36.00"	52.50"	6" DETROIT FLANGE
DM8428-12M MULTIPLY BELLOWS	6 X 6 X 12	36.00"	52.50"	6" DETROIT FLANGE
DM8428-14F FLEX HOSE	6 X 6 X 14	36.00"	52.50"	6" DETROIT FLANGE
DM8428-14M MULTIPLY BELLOWS	6 X 6 X 14	36.00"	52.50"	6" DETROIT FLANGE

**MTU WYE ASSEMBLIES**

**MTU SERIES 12V4000**

1250, 1500, 1750 Kw

PART NUMBER	INLET/OUTLET SIZE	OVERALL HEIGHT	C/L SPREAD	ENGINE OUTLET CONNECTION
DM7671-16F FLEX HOSE	10 X 10 X 16	34.75"	18.50"	10" DETROIT FLANGE
DM7671-16M MULTIPLY BELLOWS	10 X 10 X 16	34.75"	18.50"	10" DETROIT FLANGE
DM7671-18F FLEX HOSE	10 X 10 X 18	34.75"	18.50"	10" DETROIT FLANGE
DM7671-18M MULTIPLY BELLOWS	10 X 10 X 16	34.75"	18.50"	10" DETROIT FLANGE

**MTU SERIES 16V4000**

2000, 2250, 1750 Kw

PART NUMBER	INLET/OUTLET SIZE	OVERALL HEIGHT	C/L SPREAD	ENGINE OUTLET CONNECTION
DM7675-16F FLEX HOSE	10 X 10 X 16	26.00"	37.00"	10" DETROIT FLANGE
DM7675-16M MULTIPLY BELLOWS	10 X 10 X 16	26.00"	37.00"	10" DETROIT FLANGE
DM7675-18F FLEX HOSE	10 X 10 X 18	26.00"	37.00"	10" DETROIT FLANGE
DM7675-18M MULTIPLY BELLOWS	10 X 10 X 18	26.00"	37.00"	10" DETROIT FLANGE
DM7675-20F FLEX HOSE	10 X 10 X 20	26.00"	37.00"	10" DETROIT FLANGE
DM7675-20M MULTIPLY BELLOWS	10 X 10 X 20	26.00"	37.00"	10" DETROIT FLANGE

**MTU SERIES 20V4000**

2000 Kw

PART NUMBER	INLET/OUTLET SIZE	OVERALL HEIGHT	C/L SPREAD	ENGINE OUTLET CONNECTION
DM8342-18F FLEX HOSE	10 X 10 X 18	17.71"	27.65"	10" DETROIT FLANGE
DM8342-18M MULTIPLY BELLOWS	10 X 10 X 18	17.71"	27.65"	10" DETROIT FLANGE
DM8342-20F FLEX HOSE	10 X 10 X 20	17.71"	27.65"	10" DETROIT FLANGE
DM8342-20M MULTIPLY BELLOWS	10 X 10 X 20	17.71"	27.65"	10" DETROIT FLANGE
DM8342-22F FLEX HOSE	10 X 10 X 22	17.71"	27.65"	10" DETROIT FLANGE
DM8342-22M MULTIPLY BELLOWS	10 X 10 X 22	17.71"	27.65"	10" DETROIT FLANGE
DM8342-24F FLEX HOSE	10 X 10 X 24	17.71"	27.65"	10" DETROIT FLANGE
DM8342-24M MULTIPLY BELLOWS	10 X 10 X 24	17.71"	27.65"	10" DETROIT FLANGE

Add "F" for Exhaust Flex, "M" for Multi-Ply Bellows, "S" for Single-Ply Bellows to the end of the Part Number

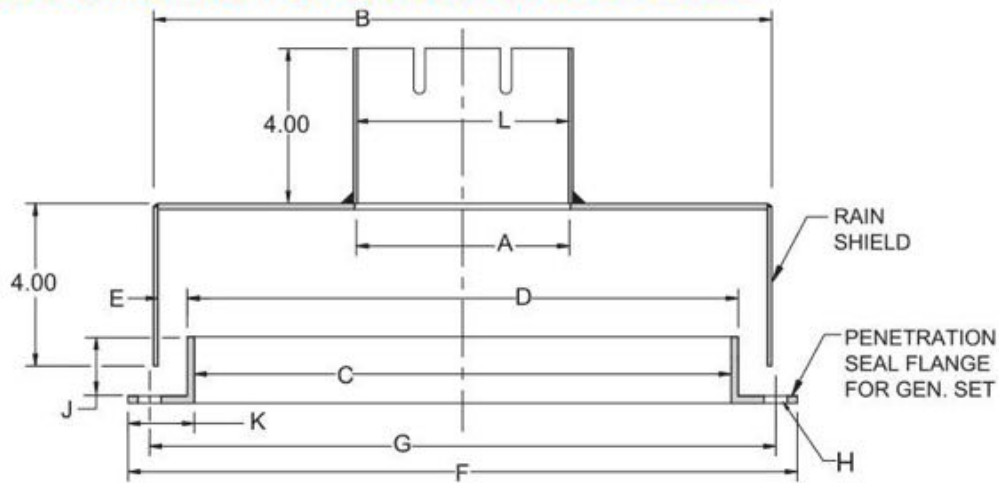


**DME INCORPORATED**



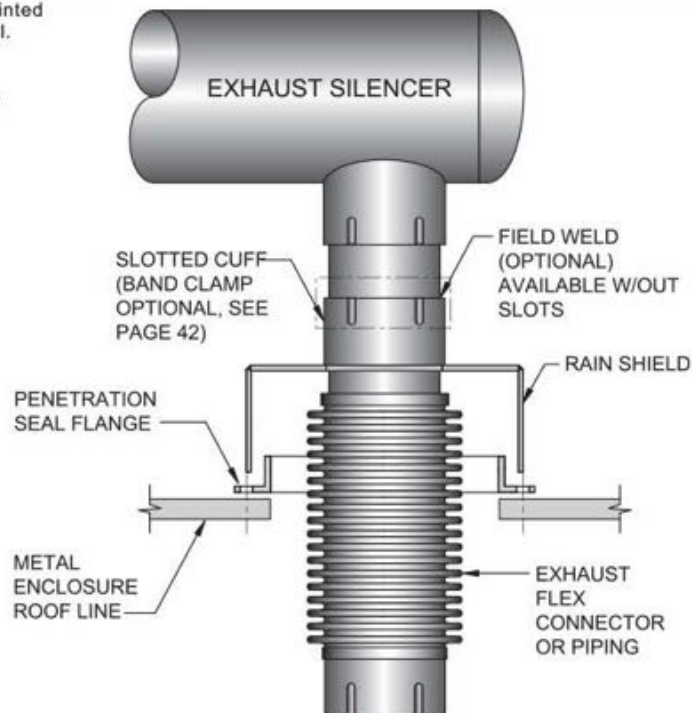
# RAIN SHIELD ASSEMBLY

## RAIN SHIELD ASSEMBLY FOR GENERATOR ENCLOSURE

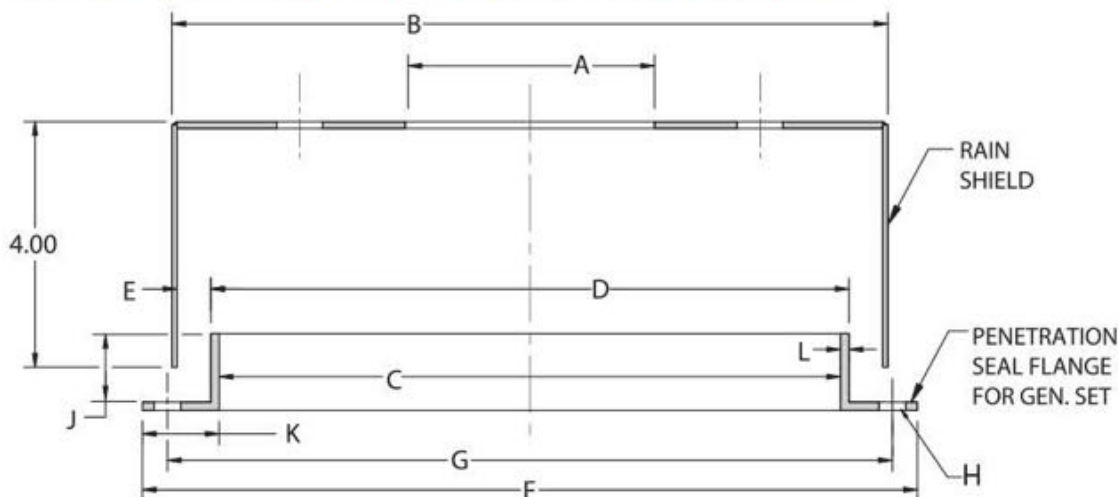


FLANGE SIZE	A I.D.	B	C I.D.	D O.D.	E	F	G D.B.C.	H HOLE DIA.	I # OF HOLES	J	K	L CUFF I.D.	PART NUMBER
2" TUBE	2.06	4.00	3.06	3.34	0.50	5.06	4.31	0.281	6	0.88	1.00	2.040	SK3984-2T
2" PIPE	2.44	4.00	3.06	3.34	0.50	5.06	4.31	0.281	6	0.88	1.00	2.415	SK3984-2P
2.5" TUBE	2.56	4.00	3.06	3.34	0.50	5.06	4.31	0.281	6	0.88	1.00	2.540	SK3984-2.5T
2.5" PIPE	2.94	5.00	4.06	4.34	0.50	6.06	5.31	0.281	6	0.94	1.00	2.915	SK3984-2.5P
3" TUBE	3.06	5.00	4.06	4.34	0.50	6.06	5.31	0.281	6	0.94	1.00	3.040	SK3984-3T
3" PIPE	3.56	5.00	4.06	4.34	0.50	6.06	5.31	0.281	6	0.94	1.00	3.540	SK3984-3P
4" TUBE	4.06	6.00	5.06	5.34	0.50	7.06	6.31	0.281	6	1.00	1.00	4.040	SK3984-4T
4" PIPE	4.56	6.00	5.06	5.34	0.50	7.06	6.31	0.281	6	1.00	1.00	4.540	SK3984-4P
5" TUBE	5.06	8.63	6.09	6.38	0.50	8.09	7.31	0.281	6	1.00	1.00	5.040	SK3984-5T
5" PIPE	5.62	8.63	6.09	6.38	0.50	8.09	7.31	0.281	6	1.00	1.00	5.603	SK3984-5P
6" TUBE	6.06	8.63	7.13	7.41	0.50	9.63	8.50	0.38	6	1.00	1.13	6.040	SK3984-6T
6" PIPE	6.69	8.63	7.13	7.41	0.50	9.63	8.50	0.38	6	1.00	1.13	6.665	SK3984-6P
8" TUBE	8.06	10.63	9.13	9.41	0.50	11.63	10.63	0.44	6	1.13	1.25	8.060	SK3984-8T
8" PIPE	8.69	10.63	9.13	9.41	0.50	11.63	10.63	0.44	6	1.13	1.25	8.685	SK3984-8P
10" TUBE	10.06	12.63	11.13	11.41	0.50	13.38	12.75	0.44	6	1.25	1.13	10.060	SK3984-10T
10" PIPE	10.81	12.63	11.13	11.41	0.50	13.38	12.75	0.44	6	1.25	1.13	10.810	SK3984-10P
12" TUBE	12.06	14.63	13.13	13.41	0.50	16.13	15.00	0.44	6	1.50	1.50	12.060	SK3984-12T
12" PIPE	12.81	14.63	13.13	13.41	0.50	16.13	15.00	0.44	8	1.50	1.50	12.810	SK3984-12P
14" TUBE	14.06	16.00	15.13	15.50	0.50	18.13	17.00	0.44	8	1.50	1.50	14.060	SK3984-14

- All Steel Components are Painted With High Heat Black Enamel.
- Available in T-304 or T-316 Stainless Steel Construction.

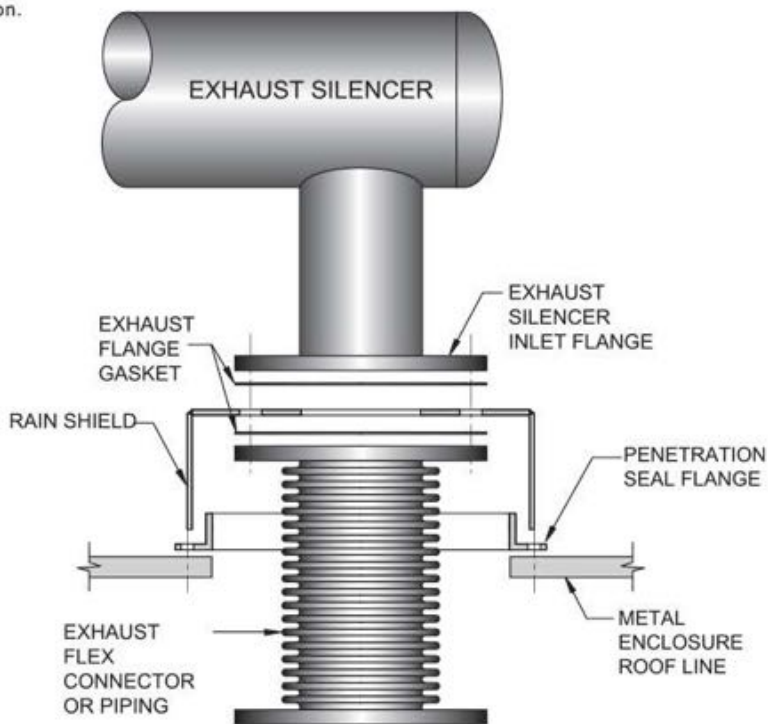


## RAIN SHIELD ASSEMBLY FOR GENERATOR ENCLOSURE



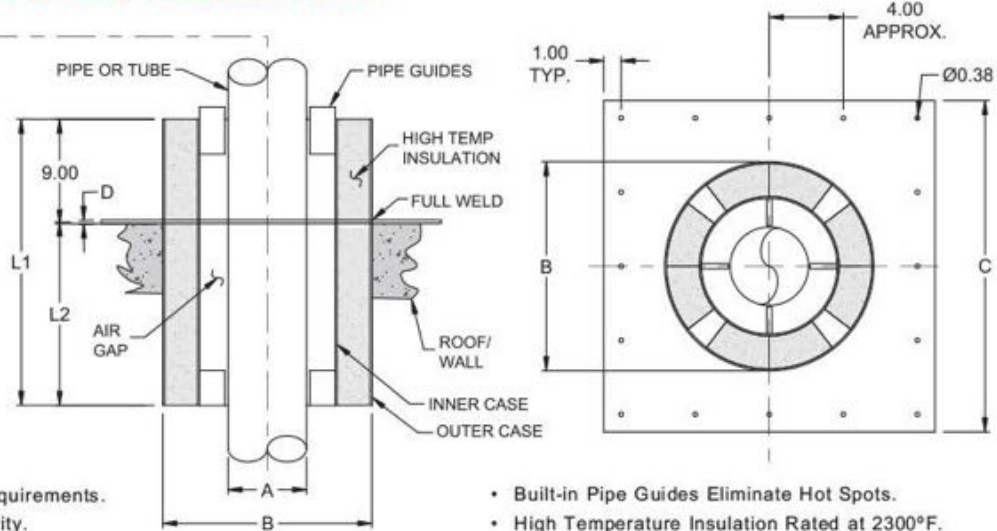
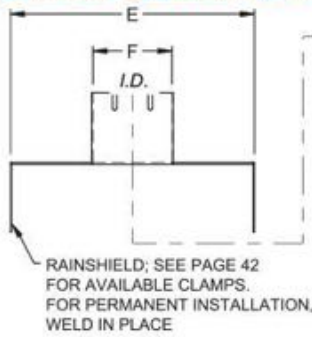
FLANGE SIZE	A I.D.	B	C I.D.	D O.D.	E	F	G D.B.C.	H HOLE DIA.	I # OF HOLES	J	K	L THK.	PART NUMBER
4"	4.57	11.38	10.13	10.38	0.50	12.63	11.81	0.44	6	1.25	1.25	0.135	SK3284-4
5"	5.66	12.38	11.13	11.38	0.50	13.88	12.75	0.44	6	1.25	1.25	0.135	SK3284-5
6"	6.72	13.38	12.13	12.38	0.50	15.13	14.00	0.44	8	1.50	1.50	0.135	SK3284-6
8"	8.72	15.38	14.13	14.38	0.50	17.13	16.00	0.44	8	1.50	1.50	0.135	SK3284-8
10"	10.88	18.50	17.13	17.50	0.50	20.13	19.00	0.44	8	1.50	1.50	0.187	SK3284-10
12"	12.88	21.50	20.13	20.50	0.50	23.13	21.75	0.44	12	1.50	1.50	0.187	SK3284-12
14"	14.14	23.50	22.13	22.50	0.50	25.13	23.75	0.44	12	1.50	1.50	0.187	SK3284-14
16"	16.16	26.00	24.13	24.50	0.75	27.13	25.88	0.44	12	1.50	1.50	0.187	SK3284-16
18"	18.18	28.00	26.13	26.50	0.75	30.13	28.38	0.44	16	2.00	2.00	0.187	SK3284-18

- All Steel Components are Painted With High Heat Black Enamel.
- Available in T-304 or T-316 Stainless Steel Construction.



# INSULATED ROOF / WALL THIMBLE

## COMPACT DESIGN MEETS NFPA 37 REQUIREMENTS



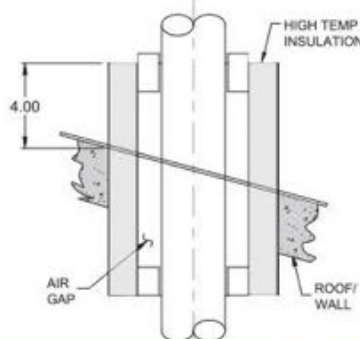
### FEATURES:

- Meets or Exceeds NFPA 37 Requirements.
- Designed With Structural Integrity.
- Heavy Wall Steel Construction.
- Built-in Pipe Guides Eliminate Hot Spots.
- High Temperature Insulation Rated at 2300°F.
- Standard Finish High Heat Black Enamel.

PIPE / TUBE O.D.	CARBON STEEL						FITS 1" THRU 5" THK. WALL / ROOF			FITS 6" THRU 10" THK. WALL / ROOF			FITS 11" THRU 15" THK. WALL / ROOF		
	A	B	C	D	E	F	L1	L2	PART NO.	L1	L2	PART NO.	L1	L2	PART NO.
1.50"	10.00	16.00	0.25	12.00	1.54	23.00	14.00	WRT0150T-5	28.00	19.00	WRT0150T-10	33.00	24.00	WRT0150T-15	
1.90"	10.00	16.00	0.25	12.00	1.94	23.00	14.00	WRT0150P-5	28.00	19.00	WRT0150P-10	33.00	24.00	WRT0150P-15	
2.00"	10.00	16.00	0.25	12.00	2.04	23.00	14.00	WRT0200T-5	28.00	19.00	WRT0200T-10	33.00	24.00	WRT0200T-15	
2.38"	10.00	16.00	0.25	12.00	2.42	23.00	14.00	WRT0200P-5	28.00	19.00	WRT0200P-10	33.00	24.00	WRT0200P-15	
2.50"	10.00	16.00	0.25	12.00	2.54	23.00	14.00	WRT0250T-5	28.00	19.00	WRT0250T-10	33.00	24.00	WRT0250T-15	
2.88"	10.00	16.00	0.25	12.00	2.92	23.00	14.00	WRT0250P-5	28.00	19.00	WRT0250P-10	33.00	24.00	WRT0250P-15	
3.00"	12.00	18.00	0.25	14.00	3.04	23.00	14.00	WRT0300T-5	28.00	19.00	WRT0300T-10	33.00	24.00	WRT0300T-15	
3.50"	12.00	18.00	0.25	14.00	3.54	23.00	14.00	WRT0300P-5	28.00	19.00	WRT0300P-10	33.00	24.00	WRT0300P-15	
4.00"	12.00	18.00	0.25	14.00	4.04	23.00	14.00	WRT0400T-5	28.00	19.00	WRT0400T-10	33.00	24.00	WRT0400T-15	
4.50"	12.00	18.00	0.25	14.00	4.54	23.00	14.00	WRT0400P-5	28.00	19.00	WRT0400P-10	33.00	24.00	WRT0400P-15	
5.00"	14.00	20.00	0.25	16.00	5.04	23.00	14.00	WRT0500T-5	28.00	19.00	WRT0500T-10	33.00	24.00	WRT0500T-15	
5.56"	14.00	20.00	0.25	16.00	5.62	23.00	14.00	WRT0500P-5	28.00	19.00	WRT0500P-10	33.00	24.00	WRT0500P-15	
6.00"	14.00	20.00	0.25	16.00	6.04	23.00	14.00	WRT0600T-5	28.00	19.00	WRT0600T-10	33.00	24.00	WRT0600T-15	
6.63"	14.00	20.00	0.25	16.00	6.67	23.00	14.00	WRT0600P-5	28.00	19.00	WRT0600P-10	33.00	24.00	WRT0600P-15	
8.00"	16.00	22.00	0.25	18.00	8.06	23.00	14.00	WRT0800T-5	28.00	19.00	WRT0800T-10	33.00	24.00	WRT0800T-15	
8.63"	16.00	22.00	0.25	18.00	8.67	23.00	14.00	WRT0800P-5	28.00	19.00	WRT0800P-10	33.00	24.00	WRT0800P-15	
10.00"	18.00	24.00	0.25	20.00	10.06	23.00	14.00	WRT1000T-5	28.00	19.00	WRT1000T-10	33.00	24.00	WRT1000T-15	
10.75"	18.00	24.00	0.25	20.00	10.81	23.00	14.00	WRT1000P-5	28.00	19.00	WRT1000P-10	33.00	24.00	WRT1000P-15	
12.00"	20.00	26.00	0.25	22.00	12.06	23.00	14.00	WRT1200T-5	28.00	19.00	WRT1200T-10	33.00	24.00	WRT1200T-15	
12.75"	20.00	26.00	0.25	22.00	12.81	23.00	14.00	WRT1200P-5	28.00	19.00	WRT1200P-10	33.00	24.00	WRT1200P-15	
14.00"	22.00	28.00	0.25	24.00	14.06	23.00	14.00	WRT1400P-5	28.00	19.00	WRT1400P-10	33.00	24.00	WRT1400P-15	
16.00"	24.00	30.00	0.25	26.00	16.06	23.00	14.00	WRT1600P-5	28.00	19.00	WRT1600P-10	33.00	24.00	WRT1600P-15	
18.00"	26.00	32.00	0.25	28.00	18.06	23.00	14.00	WRT1800P-5	28.00	19.00	WRT1800P-10	33.00	24.00	WRT1800P-15	
20.00"	28.00	34.00	0.25	30.00	20.06	23.00	14.00	WRT2000P-5	28.00	19.00	WRT2000P-10	33.00	24.00	WRT2000P-15	
22.00"	30.00	36.00	0.25	32.00	22.06	23.00	14.00	WRT2200P-5	28.00	19.00	WRT2200P-10	33.00	24.00	WRT2200P-15	
24.00"	32.00	38.00	0.25	34.00	24.06	23.00	14.00	WRT2400P-5	18.00	19.00	WRT2400P-10	33.00	24.00	WRT2400P-15	



### OPTIONAL PITCHED ROOF DESIGN



### TEMPERATURE REDUCTION

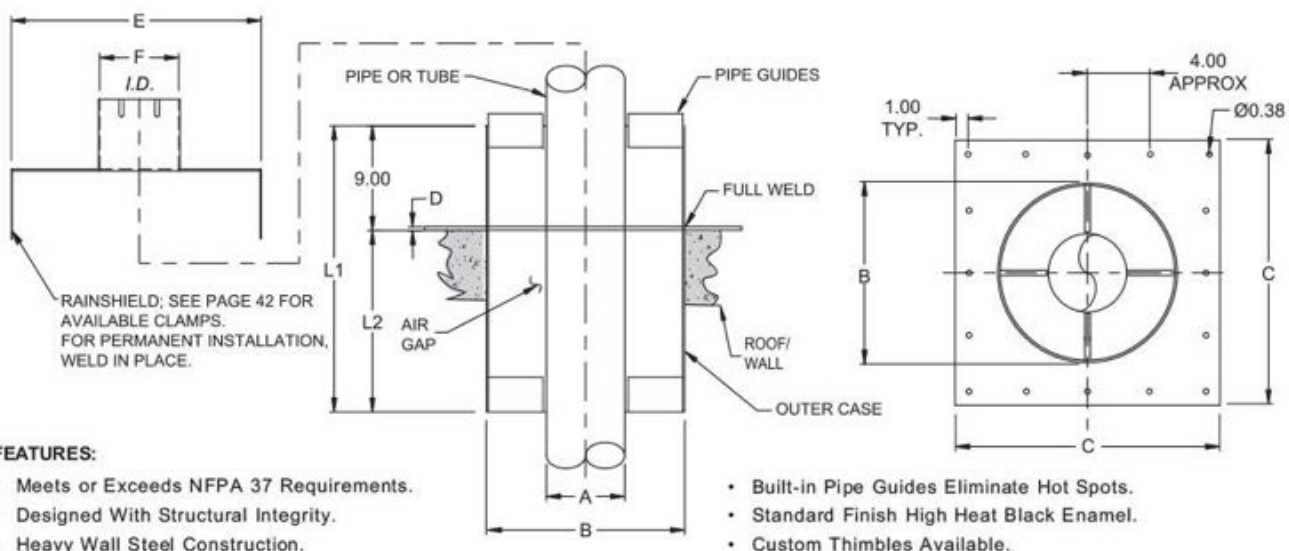
1000°F Exhaust temperature reduced to 191°F outside case temperature.

1100°F Exhaust temperature reduced to 210°F outside case temperature.

1200°F Exhaust temperature reduced to 230°F outside case temperature.



# NON-INSULATED ROOF / WALL THIMBLE

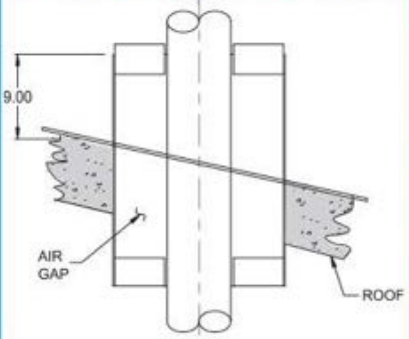


**FEATURES:**

- Meets or Exceeds NFPA 37 Requirements.
- Designed With Structural Integrity.
- Heavy Wall Steel Construction.
- Built-in Pipe Guides Eliminate Hot Spots.
- Standard Finish High Heat Black Enamel.
- Custom Thimbles Available.

PIPE / TUBE O.D.	CARBON STEEL						FITS 1" THRU 5" THK. WALL / ROOF			FITS 6" THRU 10" THK. WALL / ROOF			FITS 11" THRU 15" THK. WALL / ROOF		
	A	B	C	D	E	F	L1	L2	PART NO.	L1	L2	PART NO.	L1	L2	PART NO.
1.50"	14.00	20.00	0.25	16.00	1.54	1.54	23.00	14.00	NIT0150T-5	28.00	19.00	NIT0150T-10	33.00	24.00	NIT0150T-15
1.90"	14.00	20.00	0.25	16.00	1.94	1.94	23.00	14.00	NIT0150P-5	28.00	19.00	NIT0150P-10	33.00	24.00	NIT0150P-15
2.00"	14.00	20.00	0.25	16.00	2.04	2.04	23.00	14.00	NIT0200T-5	28.00	19.00	NIT0200T-10	33.00	24.00	NIT0200T-15
2.38"	16.00	22.00	0.25	18.00	2.42	2.42	23.00	14.00	NIT0200P-5	28.00	19.00	NIT0200P-10	33.00	24.00	NIT0200P-15
2.50"	16.00	22.00	0.25	18.00	2.54	2.54	23.00	14.00	NIT0250T-5	28.00	19.00	NIT0250T-10	33.00	24.00	NIT0250T-15
2.88"	16.00	22.00	0.25	18.00	2.92	2.92	23.00	14.00	NIT0250P-5	28.00	19.00	NIT0250P-10	33.00	24.00	NIT0250P-15
3.00"	16.00	22.00	0.25	18.00	3.04	3.04	23.00	14.00	NIT0300T-5	28.00	19.00	NIT0300T-10	33.00	24.00	NIT0300T-15
3.50"	16.00	22.00	0.25	18.00	3.54	3.54	23.00	14.00	NIT0300P-5	28.00	19.00	NIT0300P-10	33.00	24.00	NIT0300P-15
4.00"	16.00	22.00	0.25	18.00	4.04	4.04	23.00	14.00	NIT0400T-5	28.00	19.00	NIT0400T-10	33.00	24.00	NIT0400T-15
4.50"	18.00	24.00	0.25	20.00	4.54	4.54	23.00	14.00	NIT0400P-5	28.00	19.00	NIT0400P-10	33.00	24.00	NIT0400P-15
5.00"	18.00	24.00	0.25	20.00	5.04	5.04	23.00	14.00	NIT0500T-5	28.00	19.00	NIT0500T-10	33.00	24.00	NIT0500T-15
5.56"	18.00	24.00	0.25	20.00	5.62	5.62	23.00	14.00	NIT0500P-5	28.00	19.00	NIT0500P-10	33.00	24.00	NIT0500P-15
6.00"	18.00	24.00	0.25	20.00	6.04	6.04	23.00	14.00	NIT0600T-5	28.00	19.00	NIT0600T-10	33.00	24.00	NIT0600T-15
6.63"	20.00	26.00	0.25	22.00	6.67	6.67	23.00	14.00	NIT0600P-5	28.00	19.00	NIT0600P-10	33.00	24.00	NIT0600P-15
8.00"	20.00	26.00	0.25	22.00	8.06	8.06	23.00	14.00	NIT0800T-5	28.00	19.00	NIT0800T-10	33.00	24.00	NIT0800T-15
8.63"	22.00	28.00	0.25	24.00	8.67	8.67	23.00	14.00	NIT0800P-5	28.00	19.00	NIT0800P-10	33.00	24.00	NIT0800P-15
10.00"	22.00	28.00	0.25	24.00	10.06	10.06	23.00	14.00	NIT1000T-5	28.00	19.00	NIT1000T-10	33.00	24.00	NIT1000T-15
10.75"	24.00	30.00	0.25	26.00	10.81	10.81	23.00	14.00	NIT1000P-5	28.00	19.00	NIT1000P-10	33.00	24.00	NIT1000P-15
12.00"	24.00	30.00	0.25	26.00	12.06	12.06	23.00	14.00	NIT1200T-5	28.00	19.00	NIT1200T-10	33.00	24.00	NIT1200T-15
12.75"	26.00	32.00	0.25	28.00	12.81	12.81	23.00	14.00	NIT1200P-5	28.00	19.00	NIT1200P-10	33.00	24.00	NIT1200P-15
14.00"	26.00	32.00	0.25	28.00	14.06	14.06	23.00	14.00	NIT1400P-5	28.00	19.00	NIT1400P-10	33.00	24.00	NIT1400P-15
16.00"	28.00	34.00	0.25	30.00	16.06	16.06	23.00	14.00	NIT1600P-5	28.00	19.00	NIT1600P-10	33.00	24.00	NIT1600P-15
18.00"	30.00	36.00	0.25	32.00	18.06	18.06	23.00	14.00	NIT1800P-5	28.00	19.00	NIT1800P-10	33.00	24.00	NIT1800P-15
20.00"	32.00	38.00	0.25	34.00	20.06	20.06	23.00	14.00	NIT2000P-5	28.00	19.00	NIT2000P-10	33.00	24.00	NIT2000P-15
22.00"	34.00	40.00	0.25	36.00	22.06	22.06	23.00	14.00	NIT2200P-5	28.00	19.00	NIT2200P-10	33.00	24.00	NIT2200P-15
24.00"	36.00	42.00	0.25	38.00	24.06	24.06	23.00	14.00	NIT2400P-5	28.00	19.00	NIT2400P-10	33.00	24.00	NIT2400P-15

**OPTIONAL PITCHED ROOF DESIGN**

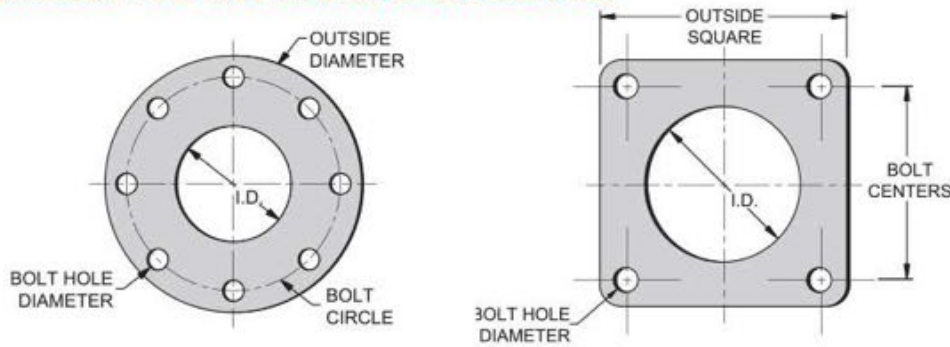


PITCH	ADD TO L1 FOR PITCHED ROOF DESIGN													
	OUTSIDE CASE DIAMETER (INSULATED OR NON-INSULATED)													
	10"	12"	14"	16"	18"	20"	22"	24"	26"	28"	30"	32"	34"	36"
0.5 - 12	.42	.50	.60	.67	.75	.83	.92	1.0	1.1	1.2	1.3	1.4	1.4	1.5
1.0 - 12	.83	1.0	1.2	1.4	1.5	1.7	1.8	2.0	2.2	2.3	2.5	2.7	2.8	3.0
1.5 - 12	1.3	1.5	1.8	2.0	2.3	2.5	2.8	3.0	3.3	3.5	3.8	4.0	4.3	4.5
2.0 - 12	1.7	2.0	2.3	2.7	3.0	3.3	3.7	4.0	4.3	4.7	5.0	5.3	5.7	6.0
3.0 - 12	2.5	3.0	3.5	4.0	4.5	5.0	5.5	6.0	6.5	7.0	7.5	8.0	8.5	9.0
4.0 - 12	3.3	4.0	4.7	5.3	6.0	6.7	7.3	8.0	8.7	9.3	10.0	10.7	11.3	12.0
5.0 - 12	4.2	5.0	5.8	6.7	7.5	8.3	9.2	10.0	10.8	11.7	12.5	13.3	14.2	15.0
6.0 - 12	5.0	6.0	7.0	8.0	9.0	10.0	11.0	12.0	13.0	14.0	15.0	16.0	18.0	20.0

Add Pitch to End of Part Number:  
 Example: WRT1200P-15-4.0-12 is for a 4 / 12 Pitched Roof.

# GASKETS, NUTS, & BOLTS

## STANDARD FULL FACE GASKETS, NUTS, AND BOLTS



FOR DIMENSIONS, REFER TO FLANGE SPECIFICATION ON PAGE 31 - 32.

EACH KIT CONTAINS:  
(1) GASKET  
(1) SET NUTS AND BOLTS

FLANGE SIZE 150# ANSI	NON-ASBESTOS - RATED 900°F *					GRAPHITE / WIRE REINFORCED - RATED 1000°F				
	GASKET ONLY	NUT, BOLT, GASKET KIT (STD.)	STD. BOLT LENGTH	NUT, BOLT, GASKET KIT (LONG)	LONG BOLT LENGTH	GASKET ONLY	NUT, BOLT, GASKET KIT (STD.)	STD. BOLT LENGTH	NUT, BOLT, GASKET KIT (LONG)	LONG BOLT LENGTH
1-1/2"	G0150	GK0150	2"	GKL0150	3"	GR0150	GRK0150	2"	GRKL0150	3"
2"	G0200	GK0200	2"	GKL0200	3"	GR0200	GRK0200	2"	GRKL0200	3"
2-1/2"	G0250	GK0250	2"	GKL0250	3"	GR0250	GRK0250	2"	GRKL0250	3"
3"	G0300	GK0300	2"	GKL0300	3"	GR0300	GRK0300	2"	GRKL0300	3"
3-1/2"	G0350	GK0350	2"	GKL0350	3"	GR0350	GRK0350	2"	GRKL0350	3"
4"	G0400	GK0400	2"	GKL0400	3"	GR0400	GRK0400	2"	GRKL0400	3"
5"	G0500	GK0500	2"	GKL0500	3"	GR0500	GRK0500	2"	GRKL0500	3"
6"	G0600	GK0600	2"	GKL0600	3"	GR0600	GRK0600	2"	GRKL0600	3"
8"	G0800	GK0800	2"	GKL0800	3"	GR0800	GRK0800	2"	GRKL0800	3"
10"	G1000	GK1000	2"	GKL1000	3"	GR1000	GRK1000	2"	GRKL1000	3"
12"	G1200	GK1200	2"	GKL1200	3"	GR1200	GRK1200	2"	GRKL1200	3"
14"	G1400	GK1400	2-1/2"	GKL1400	4"	GR1400	GRK1400	2-1/2"	GRKL1400	4"
16"	G1600	GK1600	2-1/2"	GKL1600	4"	GR1600	GRK1600	2-1/2"	GRKL1600	4"
18"	G1800	GK1800	2-1/2"	GKL1800	4"	GR1800	GRK1800	2-1/2"	GRKL1800	4"
20"	G2000	GK2000	2-1/2"	GKL2000	4"	GR2000	GRK2000	2-1/2"	GRKL2000	4"
22"	G2200	GK2200	2-1/2"	GKL2200	4"	GR2200	GRK2200	2-1/2"	GRKL2200	4"
24"	G2400	GK2400	2-1/2"	GKL2400	4"	GR2400	GRK2400	2-1/2"	GRKL2400	4"
26"	G2600	GK2600	2-1/2"	GKL2600	4"	GR2600	GRK2600	2-1/2"	GRKL2600	4"
28"	G2800	GK2800	2-1/2"	GKL2800	4"	GR2800	GRK2800	2-1/2"	GRKL2800	4"
30"	G3000	GK3000	2-1/2"	GKL3000	5"	GR3000	GRK3000	2-1/2"	GRKL3000	5"
36"	G3600	GK3600	3"	GKL3600	5"	GR3600	GRK3600	3"	GRKL3600	5"
42"	G4200	GK4200	3"	GKL4200	5"	GR4200	GRK4200	3"	GRKL4200	5"
48"	G4800	GK4800	3"	GKL4800	6"	GR4800	GRK4800	3"	GRKL4800	6"
<b>CAT</b>										
4"	G0400C	GK0400C	2"	N/A	N/A	GR0400C	GRK0400C	2"	N/A	N/A
5"	G0500C	GK0500C	2"	N/A	N/A	GR0500C	GRK0500C	2"	N/A	N/A
6"	G0600C	GK0600C	2"	N/A	N/A	GR0600C	GRK0600C	2"	N/A	N/A
8"	G0800C	GK0800C	2"	N/A	N/A	GR0800C	GRK0800C	2"	N/A	N/A
10"	G1000C	GK1000C	2"	N/A	N/A	GR1000C	GRK1000C	2"	N/A	N/A
12"	G1200C	GK1200C	2"	N/A	N/A	GR1200C	GRK1200C	2"	N/A	N/A
14"	G1401C	GK1401C	2"	N/A	N/A	GR1401C	GRK1401C	2"	N/A	N/A
14"	G1402C	GK1402C	2"	N/A	N/A	GR1402C	GRK1402C	2"	N/A	N/A
16"	G1600C	GK1600C	2"	N/A	N/A	GR1600C	GRK1600C	2"	N/A	N/A
<b>CUMMINS</b>										
5"	G0500U	GK0500U	2"	N/A	N/A	GR0500U	GRK0500U	2"	N/A	N/A
6"	G0600U	GK0600U	2"	N/A	N/A	GR0600U	GRK0600U	2"	N/A	N/A
<b>DETROIT</b>										
8"	G0800D	GK0800D	2"	N/A	N/A	GR0800D	GRK0800D	2"	N/A	N/A
10"	G1000D	GK1000D	2"	N/A	N/A	GR1000D	GRK1000D	2"	N/A	N/A

\* - 900°F Rating is for Exhaust Service Only

### NOTES:

- Standard Bolts are to Join two 1/2" Thk. Flanges.
- Gaskets are Full Face With Bolt Holes 1/16" Thk. Std.
- Bolts are Carbon Steel ASTM A307 Grade A.
- DME Makes Custom Gaskets.
- Studs may be Furnished in Lieu of Long Bolts.
- For T-304 S/S Bolts, Add "H" to the End of the Part Number.



## HIGH TEMPERATURE GASKETS, NUTS, AND BOLTS



FLANGE SIZE 150# ANSI	REINFORCED MICA - RATED 1650°F					SPIRAL RING GASKET - RATED 1000°F				
	GASKET ONLY	NUT, BOLT, GASKET KIT (STD.)	STD. BOLT LENGTH	NUT, BOLT, GASKET KIT (LONG)	LONG BOLT LENGTH	GASKET ONLY	NUT, BOLT, GASKET KIT (STD.)	STD. BOLT LENGTH	NUT, BOLT, GASKET KIT (LONG)	LONG BOLT LENGTH
1-1/2"	GM0150	GMK0150	2"	GMKL0150	3"	GS0150	GSK0150	2"	GSKL0150	3"
2"	GM0200	GMK0200	2"	GMKL0200	3"	GS0200	GSK0200	2"	GSKL0200	3"
2-1/2"	GM0250	GMK0250	2"	GMKL0250	3"	GS0250	GSK0250	2"	GSKL0250	3"
3"	GM0300	GMK0300	2"	GMKL0300	3"	GS0300	GSK0300	2"	GSKL0300	3"
3-1/2"	GM0350	GMK0350	2"	GMKL0350	3"	GS0350	GSK0350	2"	GSKL0350	3"
4"	GM0400	GMK0400	2"	GMKL0400	3"	GS0400	GSK0400	2"	GSKL0400	3"
5"	GM0500	GMK0500	2"	GMKL0500	3"	GS0500	GSK0500	2"	GSKL0500	3"
6"	GM0600	GMK0600	2"	GMKL0600	3"	GS0600	GSK0600	2"	GSKL0600	3"
8"	GM0800	GMK0800	2"	GMKL0800	3"	GS0800	GSK0800	2"	GSKL0800	3"
10"	GM1000	GMK1000	2"	GMKL1000	3"	GS1000	GSK1000	2"	GSKL1000	3"
12"	GM1200	GMK1200	2"	GMKL1200	3"	GS1200	GSK1200	2"	GSKL1200	3"
14"	GM1400	GMK1400	2-1/2"	GMKL1400	4"	GS1400	GSK1400	2-1/2"	GSKL1400	4"
16"	GM1600	GMK1600	2-1/2"	GMKL1600	4"	GS1600	GSK1600	2-1/2"	GSKL1600	4"
18"	GM1800	GMK1800	2-1/2"	GMKL1800	4"	GS1800	GSK1800	2-1/2"	GSKL1800	4"
20"	GM2000	GMK2000	2-1/2"	GMKL2000	4"	GS2000	GSK2000	2-1/2"	GSKL2000	4"
22"	GM2200	GMK2200	2-1/2"	GMKL2200	4"	GS2200	GSK2200	2-1/2"	GSKL2200	4"
24"	GM2400	GMK2400	2-1/2"	GMKL2400	4"	GS2400	GSK2400	2-1/2"	GSKL2400	4"
<b>CAT</b>										
4"	GM0400C	GMK0400C	2"	N/A	N/A	GS0400C	GSK0400C	2"	N/A	N/A
5"	GM0500C	GMK0500C	2"	N/A	N/A	GS0500C	GSK0500C	2"	N/A	N/A
6"	GM0600C	GMK0600C	2"	N/A	N/A	GS0600C	GSK0600C	2"	N/A	N/A
8"	GM0800C	GMK0800C	2"	N/A	N/A	GS0800C	GSK0800C	2"	N/A	N/A
10"	GM1000C	GMK1000C	2"	N/A	N/A	GS1000C	GSK1000C	2"	N/A	N/A
12"	GM1200C	GMK1200C	2"	N/A	N/A	GS1200C	GSK1200C	2"	N/A	N/A
14"	GM1401C	GMK1401C	2"	N/A	N/A	GS1401C	GSK1401C	2"	N/A	N/A
14"	GM1402C	GMK1402C	2"	N/A	N/A	GS1402C	GSK1402C	2"	N/A	N/A
16"	GM1600C	GMK1600C	2"	N/A	N/A	GS1600C	GSK1600C	2"	N/A	N/A
<b>CUMMINS</b>										
5"	GM0500U	GMK0500U	2"	N/A	N/A	GS0500U	GSK0500U	2"	N/A	N/A
6"	GM0600U	GMK0600U	2"	N/A	N/A	GS0600U	GSK0600U	2"	N/A	N/A
<b>DETROIT</b>										
8"	GM0800D	GMK0800D	2"	N/A	N/A	GS0800D	GSK0800D	2"	N/A	N/A
10"	GM1000D	GMK1000D	2"	N/A	N/A	GS1000D	GSK1000D	2"	N/A	N/A

**NOTES:**

- Standard Bolts are to Join Two 1/2" Thk. Flanges.
- Studs may be Furnished in Lieu of Long Bolts
- Gaskets are Full Face with Bolt Holes, 1/16" Thk.
- Bolts are T-316 Stainless Steel.
- DME Makes Custom Gaskets.

**NOTES:**

- Ring Gaskets Have T-316 Stainless Steel Reinforcing Ring. (No Bolt Holes)
- Spiral Ring Gaskets are 1/8" Thick
- Bolts are Carbon Steel ASTM A307 Grade A.

**EACH KIT CONTAINS:**

- (1) GASKET
- (1) SET NUTS AND BOLTS

# DME INCORPORATED

# CLAMPS

ECT



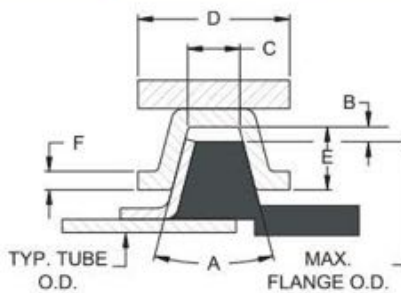
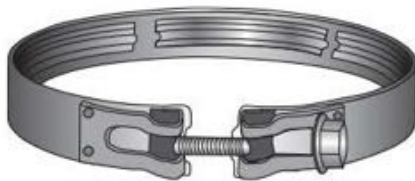
TST



HCP



SIZE	FITS O.D.	U-BOLT SADDLE CLAMP ZINC PLATED PART NO.	3" WIDE S/S BAND CLAMP STRETCH OVER JOINT FOR SEALING ONLY PART NO.	2-1/2" WIDE 12 GA T-304 S/S HEAVY DUTY CLAMP. CUSTOM SIZES AVAIL. PART NO.
1-1/2" TUBE	1.50	ECT-0150	TST-0150	N/A
1-1/2" PIPE	1.90	ECP-0150	N/A	N/A
2" TUBE	2.00	ECT-0200	TST-0200	N/A
2" PIPE	2.38	ECP-0200	N/A	N/A
2-1/2" TUBE	2.50	ECT-0250	TST-0250	N/A
2-1/2" PIPE	2.88	ECP-0250	N/A	N/A
3" TUBE	3.00	ECT-0300	TST-0300	N/A
3" PIPE	3.50	ECP-0300	TSP-0300	HCP-0300
3-1/2" TUBE	3.50	ECT-0350	TST-0350	HCT-0350
3-1/2" PIPE	4.00	ECP-0350	TSP-0350	HCP-0350
4" TUBE	4.00	ECT-0400	TST-0400	HCT-0400
4" PIPE	4.50	ECP-0400	N/A	HCP-0400
5" TUBE	5.00	ECT-0500	TST-0500	HCT-0500
5" PIPE	5.56	ECP-0500	N/A	HCP-0500
6" TUBE	6.00	ECT-0600	TST-0600	HCT-0600
6" PIPE	6.63	N/A	N/A	HCP-0600
8" TUBE	8.00	N/A	TST-0800	HCT-0800
8" PIPE	8.63	N/A	N/A	HCP-0800
10" TUBE	10.00	N/A	TST-1000	HCT-1000
10" PIPE	10.75	N/A	N/A	HCP-1000
12" TUBE	12.00	N/A	TST-1200	HCT-1200
12" PIPE	12.75	N/A	N/A	HCP-1200
14" PIPE	14.00	N/A	N/A	HCP-1400
16" PIPE	16.00	N/A	N/A	HCP-1600
18" PIPE	18.00	N/A	N/A	HCP-1800
20" PIPE	20.00	N/A	N/A	HCP-2000
22" PIPE	22.00	N/A	N/A	HCP-2200
24" PIPE	24.00	N/A	N/A	HCP-2400

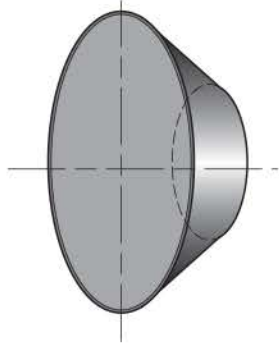


## V-BAND CLAMPS

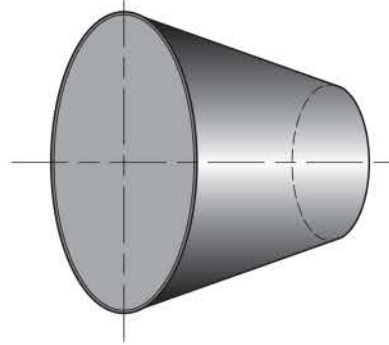
SIZE	A	B	C	D	E	F	MAX FLG.	PART NO.	COMPATIBLE WITH
3-1/2"	40°	4.50	.207	0.88	0.28	.080	4.38	V88-356	JOHN DEERE
4"	40°	4.81	.207	0.88	0.28	.080	4.63	V88-469	JOHN DEERE
5"	40°	5.43	.262	0.75	0.14	.050	5.15	V88-456	DETROIT
5"	40°	5.88	.400	0.88	0.28	.050	5.73	V88-506	CUMMINS
5"	40°	5.86	.293	1.13	0.30	.080	5.80	V88-511	DETROIT

# DME INCORPORATED

CT - SHORT



CTL - LONG



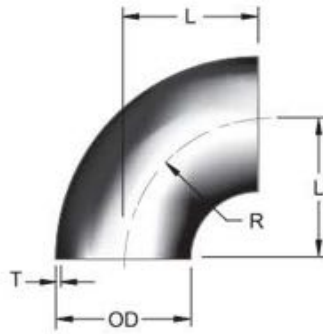
**NOTES:**

- Cones can be Ordered in Longer Lengths and Heavier Materials up to 3/8" Thick.
- T-316, T-321, and Inconel 625 Construction is Also Available.
- Pipe Size Transitions are Available on Request.

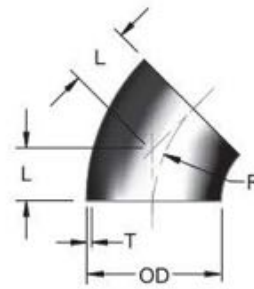




# TUBE ELBOWS



SR90 - SHORT RADIUS 90 DEGREE



SR45 - SHORT RADIUS 45 DEGREE

TUBE O.D.	CARBON					CARBON				
	R	L	T	STEEL	T-304 S/S	R	L	T	STEEL	T-304 S/S
1-1/2"	1.50	1.50	.065	SR90-0150	SR90-0150H	1.50	0.62	.065	SR45-0150	SR45-0150H
2"	2.00	2.00	.065	SR90-0200	SR90-0200H	2.00	0.83	.065	SR45-0200	SR45-0200H
2-1/2"	2.50	2.50	.065	SR90-0250	SR90-0250H	2.50	1.04	.065	SR45-0250	SR45-0250H
3"	3.00	3.00	.065	SR90-0300	SR90-0300H	3.00	1.24	.065	SR45-0300	SR45-0300H
3-1/2"	3.50	3.50	.065	SR90-0350	SR90-0350H	3.50	1.45	.065	SR45-0350	SR45-0350H
4"	4.00	4.00	.065	SR90-0400	SR90-0400H	4.00	1.66	.065	SR45-0400	SR45-0400H
5"	5.50	5.50	.065	SR90-0500	SR90-0500H	5.50	2.28	.065	SR45-0500	SR45-0500H
6"	6.00	6.00	.065	SR90-0600	SR90-0600H	6.00	2.49	.065	SR45-0600	SR45-0600H
8"	9.88	9.88	.105	SR90-0800	SR90-0800H	9.88	4.03	.105	SR45-0800	SR45-0800H
8"	8.00	8.00	.105	SR90-0800-8	SR90-0800-8H	8.00	3.31	.105	SR45-0800-8	SR45-0800-8H
10"	11.00	11.00	.135	SR90-1000EC	N/A	11.00	4.56	.135	SR45-1000EC	N/A
10"	11.00	11.00	.135	SR90-1000EC	N/A	11.00	4.56	.135	SR45-1000EC	N/A
12"	12.00	12.00	.105	SR90-1200	SR90-1200H	12.00	4.97	.105	SR45-1200	SR45-1200H
14"	14.00	14.00	.135	N/A	SR90-1400H	14.00	5.80	.135	N/A	SR45-1400H
16"	16.00	16.00	.135	N/A	SR90-1600H	16.00	6.63	.135	N/A	SR45-1600H
18"	18.00	18.00	.135	N/A	SR90-1800H	18.00	7.46	.135	N/A	SR45-1800H

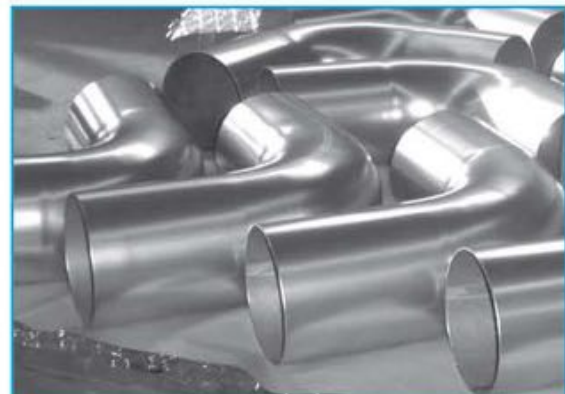
LR90 - LONG RADIUS 90 DEGREE

LR45 - LONG RADIUS 45 DEGREE

TUBE O.D.	CARBON					CARBON				
	R	L	T	STEEL	T-304 S/S	R	L	T	STEEL	T-304 S/S
1-1/2"	3.00	3.00	.065	LR90-0150	LR90-0150H	3.00	1.24	.065	LR45-0150	LR45-0150H
2"	4.00	4.00	.065	LR90-0200	LR90-0200H	4.00	1.66	.065	LR45-0200	LR45-0200H
2-1/2"	5.00	5.00	.065	LR90-0250	LR90-0250H	5.00	2.07	.065	LR45-0250	LR45-0250H
3"	6.00	6.00	.065	LR90-0300	LR90-0300H	6.00	2.49	.065	LR45-0300	LR45-0300H
3-1/2"	7.00	7.00	.065	LR90-0350	LR90-0350H	7.00	2.90	.065	LR45-0350	LR45-0350H
4"	8.00	8.00	.065	LR90-0400	LR90-0400H	8.00	3.31	.065	LR45-0400	LR45-0400H
5"	10.00	10.00	.065	LR90-0500	LR90-0500H	10.00	4.14	.065	LR45-0500	LR45-0500H
6"	12.00	12.00	.065	LR90-0600	LR90-0600H	12.00	4.97	.065	LR45-0600	LR45-0600H
8"	12.00	12.00	.105	N/A	LR90-0800H	12.00	4.97	.105	N/A	LR45-0800H
10"	15.00	15.00	.135	N/A	LR90-1000H	15.00	6.21	.135	N/A	LR45-1000H
12"	18.00	18.00	.105	N/A	LR90-1200H	18.00	7.46	.105	N/A	LR45-1200H
14"	21.00	21.00	.135	N/A	LR90-1400H	21.00	8.70	.135	N/A	LR45-1400H
16"	24.00	24.00	.135	N/A	LR90-1600H	24.00	9.94	.135	N/A	LR45-1600H
18"	27.00	27.00	.135	N/A	LR90-1800H	27.00	11.18	.135	N/A	LR45-1800H

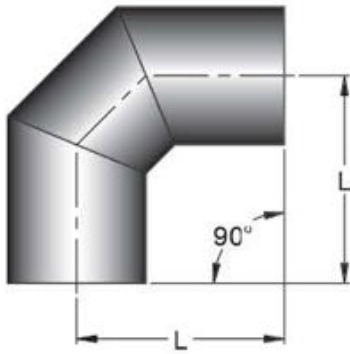
**OPTIONS:**

- T-316 Stainless Steel Available on Request.
- Elbows can be Cut in Any Degree Required.  
Change "90" in the Part Number to the New Degree.

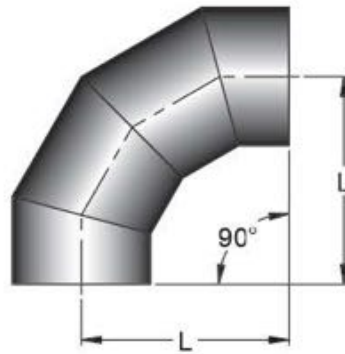


# MITERED ELBOWS

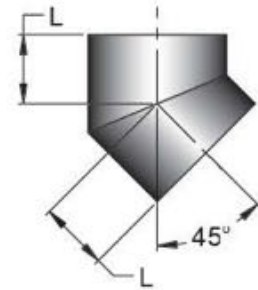
90 DEGREE  
3 PCS CONSTRUCTION



90 DEGREE  
4 PCS CONSTRUCTION



45 DEGREE  
2 PCS CONSTRUCTION



## MT - LONG RADIUS

TUBE O.D.	RAD.	L	THK.	90° (3 PCS CONST.)		90° (4 PCS CONST.)		45° (2 PCS CONST.)		
				CARBON STEEL	T-304 STAINLESS	CARBON STEEL	T-304 STAINLESS	L	CARBON STEEL	T-304 STAINLESS
14"	21"	21"	.109"	MT93-1400	MT93-1400H	MT94-1400	MT94-1400H	8.75	MT42-1400	MT42-1400H
16"	24"	24"	.109"	MT93-1600	MT93-1600H	MT94-1600	MT94-1600H	10.00	MT42-1600	MT42-1600H
18"	27"	27"	.109"	MT93-1800	MT93-1800H	MT94-1800	MT94-1800H	11.25	MT42-1800	MT42-1800H
20"	30"	30"	.134"	MT93-2000	MT93-2000H	MT94-2000	MT94-2000H	12.50	MT42-2000	MT42-2000H
22"	33"	33"	.134"	MT93-2200	MT93-2200H	MT94-2200	MT94-2200H	13.75	MT42-2200	MT42-2200H
24"	36"	36"	.134"	MT93-2400	MT93-2400H	MT94-2400	MT94-2400H	15.00	MT42-2400	MT42-2400H

## SMT - SHORT RADIUS

TUBE O.D.	RAD.	L	THK.	90° (3 PCS CONST.)		90° (4 PCS CONST.)	
				CARBON STEEL	T-304 STAINLESS	CARBON STEEL	T-304 STAINLESS
14"	14"	14"	.109"	SMT93-1400	SMT93-1400H	SMT94-1400	SMT94-1400H
16"	16"	16"	.109"	SMT93-1600	SMT93-1600H	SMT94-1600	SMT94-1600H
18"	18"	18"	.109"	SMT93-1800	SMT93-1800H	SMT94-1800	SMT94-1800H
20"	20"	20"	.134"	SMT93-2000	SMT93-2000H	SMT94-2000	SMT94-2000H
22"	22"	22"	.134"	SMT93-2200	SMT93-2200H	SMT94-2200	SMT94-2200H
24"	24"	24"	.134"	SMT93-2400	SMT93-2400H	SMT94-2400	SMT94-2400H

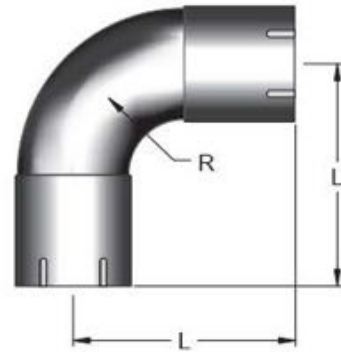
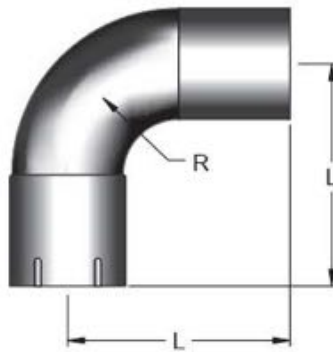
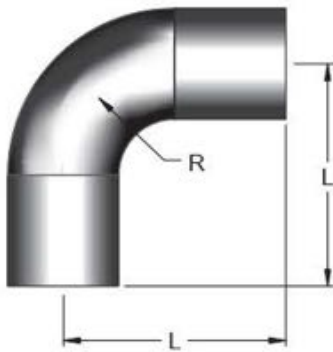


### OPTIONS:

- Heavy Wall Construction Up to 3/8" Thick Available.
- Elbows can be Made in Any Degree Required.
- Longer "L" Dimension Available.
- Flanged Ends Available.
- T-316 Stainless Steel Available.

# DME INCORPORATED

# TUBE ELBOWS WITH TANGENT ENDS



PE - PLAIN TUBE ENDS

PS - PLAIN TUBE X SLOTTED CUFF

SC - SLOTTED CUFF ENDS

S/R ELBOW				PLAIN ENDS		PLAIN X SLOTTED		SLOTTED ENDS	
TUBE O.D.	R	L	THK.	CARBON STEEL	T-304 STAINLESS	CARBON STEEL	T-304 STAINLESS	CARBON STEEL	T-304 STAINLESS
2"	2.00	6.00	.065"	PE0200	PE0200H	PS0200	PS0200H	SC0200	SC0200H
2-1/2"	2.50	6.50	.065"	PE0250	PE0250H	PS0250	PS0250H	SC0250	SC0250H
3"	3.00	7.00	.065"	PE0300	PE0300H	PS0300	PS0300H	SC0300	SC0300H
3-1/2"	3.50	7.50	.065"	PE0350	PE0350H	PS0350	PS0350H	SC0350	SC0350H
4"	4.00	8.00	.065"	PE0400	PE0400H	PS0400	PS0400H	SC0400	SC0400H
5"	5.50	9.50	.065"	PE0500	PE0500H	PS0500	PS0500H	SC0500	SC0500H
6"	6.00	10.00	.065"	PE0600	PE0600H	PS0600	PS0600H	SC0600	SC0600H
8"	9.88	13.88	.105"	PE0800	PE0800H	PS0800	PS0800H	SC0800	SC0800H
10"	11.00	14.00	.135"	PE1000	PE1000H	PS1000	PS1000H	SC1000	SC1000H
12"	12.00	16.00	.109"	PE1200	PE1200H	PS1200	PS1200H	SC1200	SC1200H
14"	14.00	18.00	.109"	N/A	PE1400H	N/A	N/A	N/A	N/A
16"	16.00	20.00	.134"	N/A	PE1600H	N/A	N/A	N/A	N/A
18"	18.00	22.00	.134"	N/A	PE1800H	N/A	N/A	N/A	N/A

L/R ELBOW				PLAIN ENDS		PLAIN X SLOTTED		SLOTTED ENDS	
TUBE O.D.	R	L	THK.	CARBON STEEL	T-304 STAINLESS	CARBON STEEL	T-304 STAINLESS	CARBON STEEL	T-304 STAINLESS
2"	4.00	8.00	.065"	PEL0200	PEL0200H	PSL0200	PSL0200H	SCL0200	SCL0200H
2-1/2"	5.00	9.00	.065"	PEL0250	PEL0250H	PSL0250	PSL0250H	SCL0250	SCL0250H
3"	6.00	10.00	.065"	PEL0300	PEL0300H	PSL0300	PSL0300H	SCL0300	SCL0300H
3-1/2"	7.00	11.00	.065"	PEL0350	PEL0350H	PSL0350	PSL0350H	SCL0350	SCL0350H
4"	8.00	12.00	.065"	PEL0400	PEL0400H	PSL0400	PSL0400H	SCL0400	SCL0400H
5"	10.00	14.00	.065"	PEL0500	PEL0500H	PSL0500	PSL0500H	SCL0500	SCL0500H
6"	12.00	16.00	.065"	PEL0600	PEL0600H	PSL0600	PSL0600H	SCL0600	SCL0600H
8"	12.00	16.00	.105"	N/A	PEL0800H	N/A	PSL0800H	N/A	SCL0800H
10"	15.00	19.00	.135"	N/A	PEL1000H	N/A	PSL1000H	N/A	SCL1000H
12"	18.00	22.00	.109"	N/A	PEL1200H	N/A	PSL1200H	N/A	SCL1200H
14"	21.00	25.00	.109"	N/A	PEL1400H	N/A	N/A	N/A	N/A
16"	24.00	28.00	.134"	N/A	PEL1600H	N/A	N/A	N/A	N/A
18"	27.00	31.00	.134"	N/A	PEL1800H	N/A	N/A	N/A	N/A

**NOTE:**

- Slotted Cuffs are Tube Size.

**OPTIONS:**

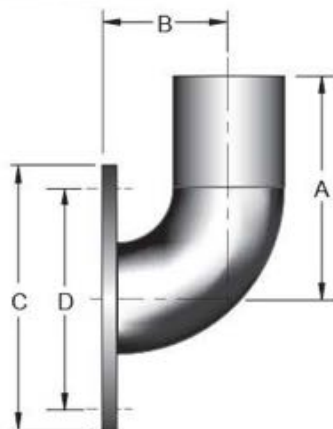
- Transition Cuffs for Size Reduction
- Longer / Shorter Lengths Available
- Pipe Size Cuffs are Available
- T-316 Stainless Steel Available



# EXHAUST OUTLET EXTENSIONS

## EOT - 90 DEGREE FLANGED TUBE ELBOW

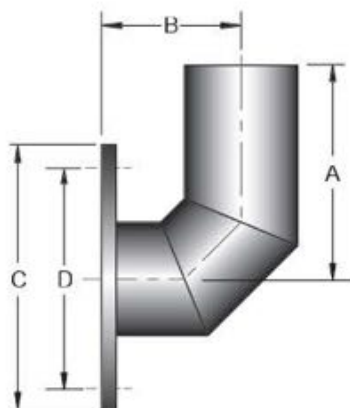
125/150# ANSI FLANGE  
90 DEGREE S.R. TUBE ELBOW



SIZE	A	B	C	D	C/S	T-304 S/S
2"	6.00	2.50	6.00	4.75	EOT-0200-6	EOT-0200-6H
2-1/2"	6.50	3.00	7.00	5.50	EOT-0250-6.5	EOT-0250-6.5H
3"	7.00	3.50	7.50	6.00	EOT-0300-7	EOT-0300-7H
3-1/2"	7.50	4.00	8.50	7.00	EOT-0350-7.5	EOT-0350-7.5H
4"	8.00	4.50	9.00	7.50	EOT-0400-8	EOT-0400-8H
5"	9.50	6.00	10.00	8.50	EOT-0500-9.5	EOT-0500-9.5H
6"	10.00	6.50	11.00	9.50	EOT-0600-10	EOT-0600-10H
8"	14.00	10.38	13.50	11.75	EOT-0800-14	EOT-0800-14H
10"	14.00	11.50	16.00	14.25	EOT-1000-14	EOT-1000-14H
12"	16.00	12.50	19.00	17.00	EOT-1200-16	EOT-1200-16H

## EOM - 90 DEGREE FLANGED TUBE MITERED ELBOW

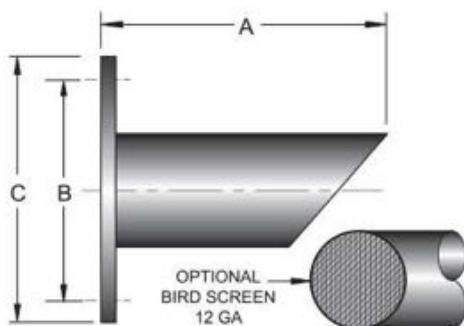
125/150# ANSI FLANGE  
90 DEGREE MITERED ELBOW



SIZE	A	B	C	D	C/S	T-304 S/S
14"	18.00	14.50	21.00	18.75	EOM-1400-18	EOM-1400-18H
16"	20.00	16.50	23.50	21.25	EOM-1600-20	EOM-1600-20H
18"	22.00	18.50	25.00	22.75	EOM-1800-22	EOM-1800-22H
20"	24.00	20.50	27.50	25.00	EOM-2000-24	EOM-2000-24H
22"	26.00	22.50	29.50	27.25	EOM-2200-26	EOM-2200-26H
24"	28.00	24.50	32.00	29.50	EOM-2400-28	EOM-2400-28H
26"	30.00	26.50	34.25	31.75	EOM-2600-30	EOM-2600-30H
28"	32.00	28.50	36.50	34.00	EOM-2800-32	EOM-2800-32H
30"	34.00	30.50	38.75	36.00	EOM-3000-34	EOM-3000-34H
36"	40.00	36.50	46.00	42.75	EOM-3600-40	EOM-3600-40H

## EMS - 45 DEGREE MITERED OUTLET EXTENSION

125/150# ANSI FLANGE A-36  
TUBE X 45 DEGREE CUT OUTLET

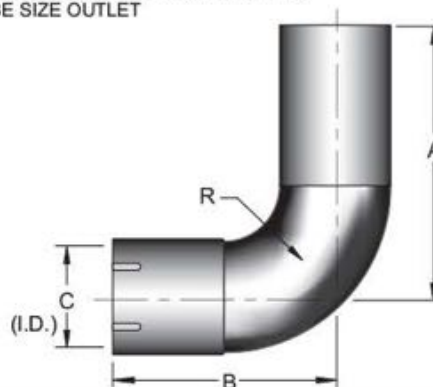


SIZE	A	B	C	C/S	T-304 S/S
3"	18.00	6.00	7.50	EMS-0300-18	EMS-0300-18H
3-1/2"	18.00	7.00	8.50	EMS-0350-18	EMS-0350-18H
4"	18.00	7.50	9.00	EMS-0400-18	EMS-0400-18H
5"	18.00	8.50	10.00	EMS-0500-18	EMS-0500-18H
6"	18.00	9.50	11.00	EMS-0600-18	EMS-0600-18H
8"	18.00	11.75	13.50	EMS-0800-18	EMS-0800-18H
10"	20.00	14.25	16.00	EMS-1000-20	EMS-1000-20H
12"	24.00	17.00	19.00	EMS-1200-24	EMS-1200-24H
14"	24.00	18.75	21.00	EMS-1400-24	EMS-1400-24H
16"	28.00	21.25	23.50	EMS-1600-28	EMS-1600-28H
18"	30.00	22.75	25.00	EMS-1800-30	EMS-1800-30H
20"	34.00	25.00	27.50	EMS-2000-34	EMS-2000-34H
22"	36.00	27.25	29.50	EMS-2200-36	EMS-2200-36H
24"	40.00	29.50	32.00	EMS-2400-40	EMS-2400-40H

For Birdscreen change P/N to "EMSB".

## ECS - SLOTTED CUFF X TUBE

90 DEGREE S.R. TUBE ELBOW  
SLOTTED CUFF (PIPE OR TUBE) INLET  
TUBE SIZE OUTLET



SIZE	A	B	C	R	C/S	T-304 S/S
2"	6.00	6.00	2.040	2.00	ECS-0200-6T	ECS-0200-6HT
2.50"	6.50	6.50	2.540	2.50	ECS-0250-6.5T	ECS-0250-6.5HP
3" Tube	7.00	7.00	3.040	3.00	ECS-0300-7T	ECS-0300-7HT
3" Pipe	7.00	7.50	3.540	3.50	ECS-0350-7P	ECS-0350-7HP
4" Tube	8.00	8.00	4.040	4.00	ECS-0400-8T	ECS-0400-8HT
4" Pipe	8.00	8.00	4.540	4.00	ECS-0400-8P	ECS-0400-8HP
5" Tube	9.50	9.50	5.040	5.50	ECS-0500-9.5T	ECS-0500-9.5HT
5" Pipe	9.50	9.50	5.603	5.50	ECS-0500-9.5P	ECS-0500-9.5HP
6" Tube	10.00	10.00	6.040	6.00	ECS-0600-10T	ECS-0600-10HT
6" Pipe	10.00	10.00	6.665	6.00	ECS-0600-10P	ECS-0600-10HP
8" Tube	14.00	13.88	8.060	9.88	ECS-0800-14T	ECS-0800-14HT
8" Pipe	14.00	13.88	8.685	9.88	ECS-0800-14P	ECS-0800-14HP
10" Tube	14.00	14.00	10.060	11.00	ECS-1000-14T	ECS-1000-14HT
10" Pipe	14.00	14.00	10.810	11.00	ECS-1000-14P	ECS-1000-14HP
12" Tube	16.00	16.00	12.060	12.00	ECS-1200-16T	ECS-1200-16HT
12" Pipe	16.00	16.00	12.810	12.00	ECS-1200-16P	ECS-1200-16HP

# TUBING & FLEX TUBE

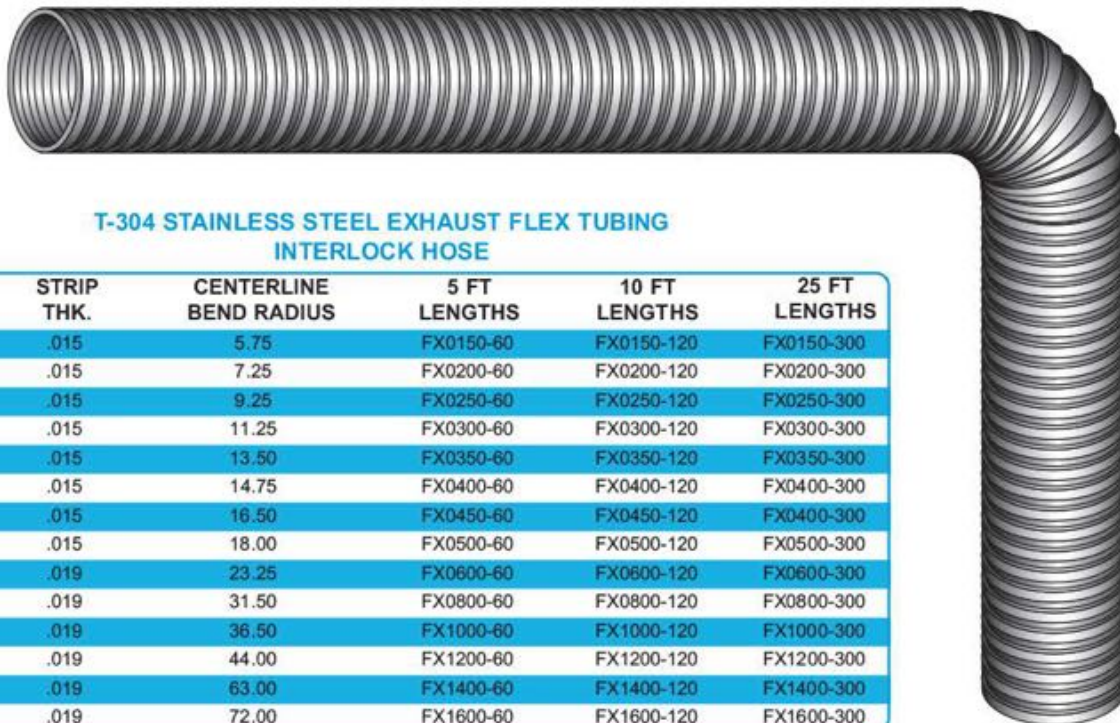


## CARBON STEEL EXHAUST TUBING

TUBE O.D.	WALL THK.	5 FT LENGTHS	10 FT LENGTHS	20 FT LENGTHS
1-1/2"	.065	T0150-60	T0150-120	T0150-240
2"	.065	T0200-60	T0200-120	T0200-240
2-1/2"	.065	T0250-60	T0250-120	T0250-240
3"	.065	T0300-60	T0300-120	T0300-240
3-1/2"	.065	T0350-60	T0350-120	T0350-240
4"	.065	T0400-60	T0400-120	T0400-240
5"	.065	T0500-60	T0500-120	T0500-240
6"	.065	T0600-60	T0600-120	T0600-240
8"	.109	T0800-60	T0800-120	T0800-240
10"	.135	T1000-60	T1000-120	T1000-240
12"	.109	T1200-60	T1200-120	T1200-240
14"	.109	T1400-60	T1400-120	T1400-240
16"	.109	T1600-60	T1600-120	T1600-240
18"	.109	T1800-60	T1800-120	T1800-240
20"	.135	T2000-60	T2000-120	T2000-240
22"	.135	T2200-60	T2200-120	T2200-240
24"	.135	T2400-60	T2400-120	T2400-240

## T-304 STAINLESS STEEL EXHAUST TUBING

TUBE O.D.	WALL THK.	5 FT LENGTHS	10 FT LENGTHS	20 FT LENGTHS
1-1/2"	.065	T0150-60H	T0150-120H	T0150-240H
2"	.065	T0200-60H	T0200-120H	T0200-240H
2-1/2"	.065	T0250-60H	T0250-120H	T0250-240H
3"	.065	T0300-60H	T0300-120H	T0300-240H
3-1/2"	.065	T0350-60H	T0350-120H	T0350-240H
4"	.065	T0400-60H	T0400-120H	T0400-240H
5"	.065	T0500-60H	T0500-120H	T0500-240H
6"	.065	T0600-60H	T0600-120H	T0600-240H
8"	.109	T0800-60H	T0800-120H	T0800-240H
10"	.109	T1000-60H	T1000-120H	T1000-240H
12"	.109	T1200-60H	T1200-120H	T1200-240H
14"	.109	T1400-60H	T1400-120H	T1400-240H
16"	.134	T1600-60H	T1600-120H	T1600-240H
18"	.134	T1800-60H	T1800-120H	T1800-240H
20"	.134	T2000-60H	T2000-120H	T2000-240H
22"	.134	T2200-60H	T2200-120H	T2200-240H
24"	.134	T2400-60H	T2400-120H	T2400-240H



## T-304 STAINLESS STEEL EXHAUST FLEX TUBING INTERLOCK HOSE

FLEX I.D.	STRIP THK.	CENTERLINE BEND RADIUS	5 FT LENGTHS	10 FT LENGTHS	25 FT LENGTHS
1-1/2"	.015	5.75	FX0150-60	FX0150-120	FX0150-300
2"	.015	7.25	FX0200-60	FX0200-120	FX0200-300
2-1/2"	.015	9.25	FX0250-60	FX0250-120	FX0250-300
3"	.015	11.25	FX0300-60	FX0300-120	FX0300-300
3-1/2"	.015	13.50	FX0350-60	FX0350-120	FX0350-300
4"	.015	14.75	FX0400-60	FX0400-120	FX0400-300
4 1/2"	.015	16.50	FX0450-60	FX0450-120	FX0400-300
5"	.015	18.00	FX0500-60	FX0500-120	FX0500-300
6"	.019	23.25	FX0600-60	FX0600-120	FX0600-300
8"	.019	31.50	FX0800-60	FX0800-120	FX0800-300
10"	.019	36.50	FX1000-60	FX1000-120	FX1000-300
12"	.019	44.00	FX1200-60	FX1200-120	FX1200-300
14"	.019	63.00	FX1400-60	FX1400-120	FX1400-300
16"	.019	72.00	FX1600-60	FX1600-120	FX1600-300

Note: Interlock hose is not recommended for indoor use as it is not 100% gas tight.

Tubing can be cut to any length required. Change the 240 in the part number to the number of inches required.

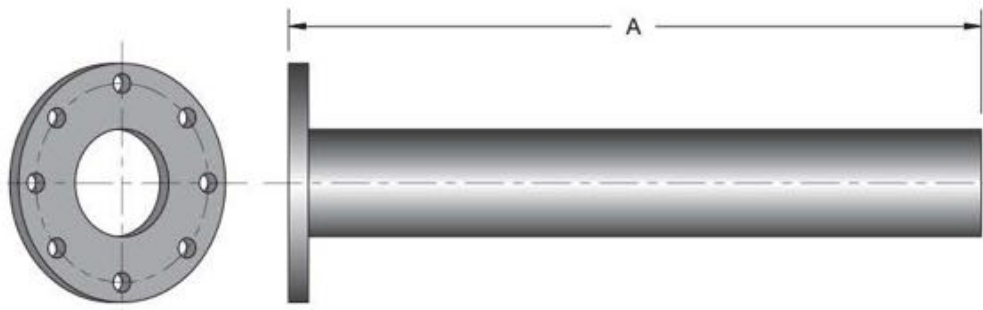
Example: T0800-36 = 8" X 36" Carbon Steel Tube  
 FX0150-18 = 1-1/2" x 18" Stainless Steel Interlock Hose

# DME INCORPORATED



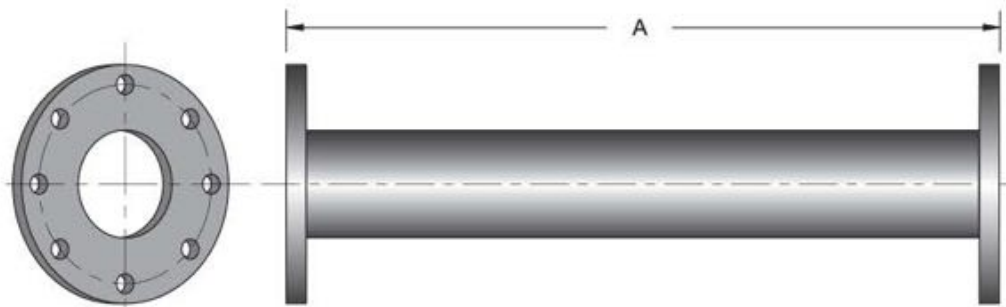
## STYLE 60 - TUBE ASSEMBLY FLANGED ONE END

EXHAUST TUBE FACTORY WELDED TO 125/150# ANSI FLANGE ONE END



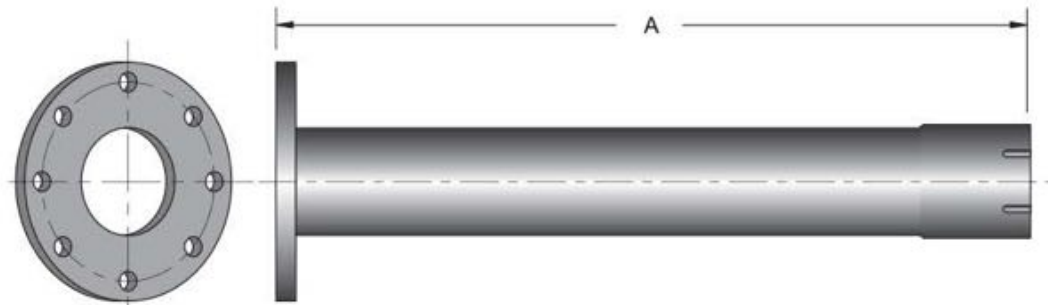
## STYLE 61 - TUBE ASSEMBLY FLANGED EACH END

EXHAUST TUBE FACTORY WELDED TO 125/150# ANSI FLANGES EACH ENDS



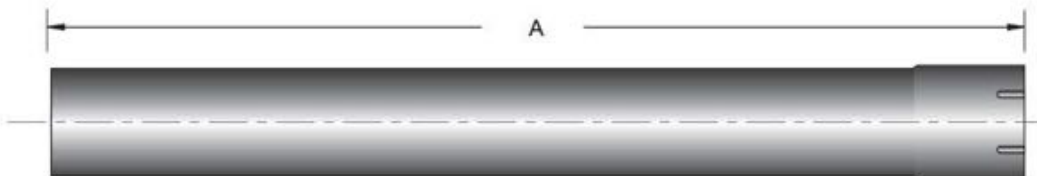
## STYLE 62 - FLANGED TUBE ASSEMBLY WITH INTEGRAL CUFF

EXHAUST TUBE WITH INTEGRAL SLOTTED CUFF FACTORY WELDED TO 125/150# ANSI FLANGE



## STYLE 63 - TUBE WITH INTEGRAL CUFF

EXHAUST TUBE WITH INTEGRAL SLOTTED CUFF ONE END.

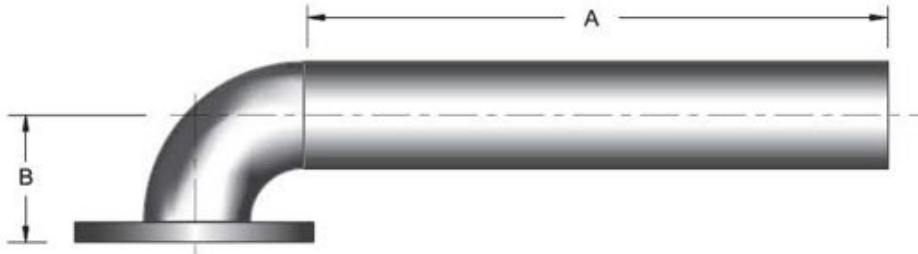


**NOTES:** Reducing Flanges Available on Request.  
Schedule 10 and Schedule 40 Pipe Assemblies can be Fabricated on Request.

# PRE-FABRICATED EXHAUST SYSTEMS

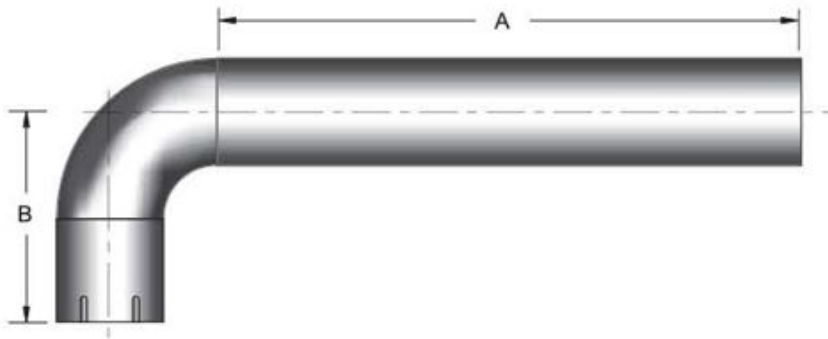
## STYLE 64 - 90 DEGREE FLANGED TUBE ASSEMBLY

EXHAUST TUBE ASSEMBLY FACTORY WELDED TO SHORT RADIUS 90 DEGREE ELBOW AND 125/150# ANSI FLANGE



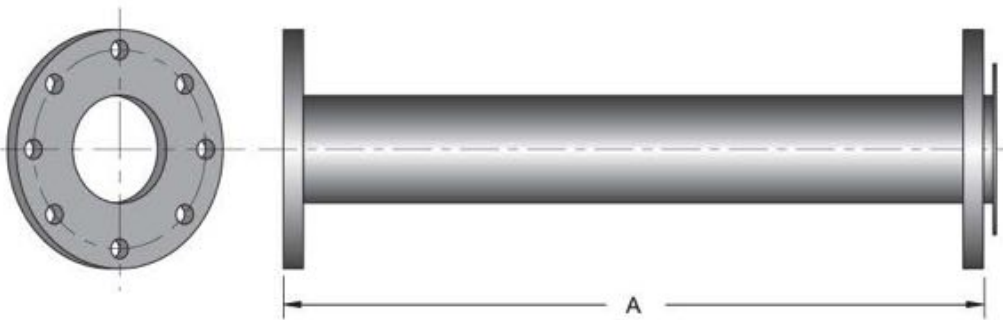
## STYLE 65 - 90 DEGREE TUBE WITH CUFF ONE END

EXHAUST TUBE ASSEMBLY FACTORY WELDED TO SHORT RADIUS 90 DEGREE ELBOW AND SLOTTED CUFF



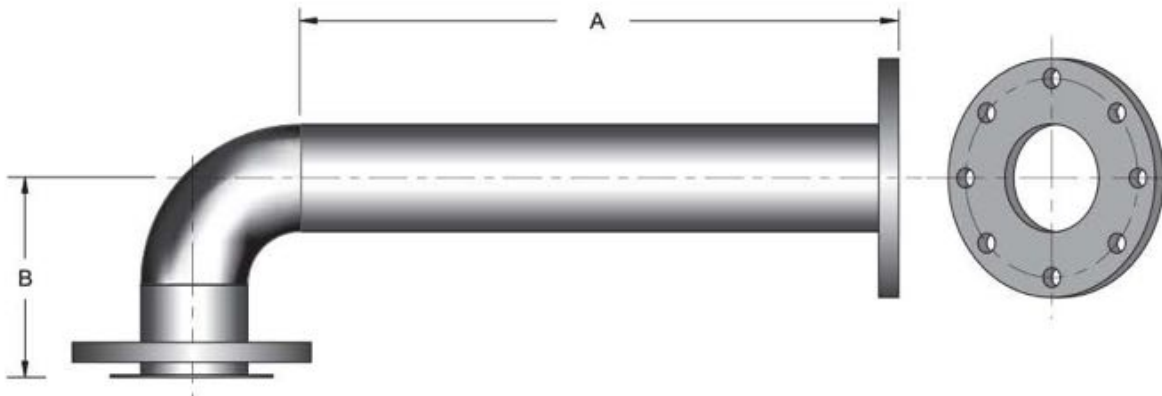
## STYLE 66 - TUBE ASSEMBLY WITH FIXED X FLOATING FLANGES

EXHAUST TUBE FACTORY WELDED WITH FIXED BY FLOATING 125/150# ANSI FLANGE



## STYLE 67 - 90 DEGREE TUBE ASSEMBLY WITH FIXED X FLOATING FLANGES

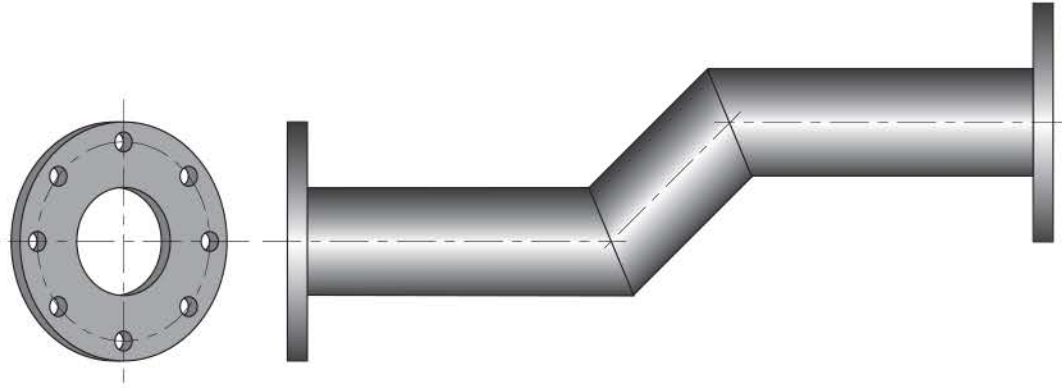
EXHAUST TUBE ASSEMBLY FACTORY WELDED WITH SHORT RADIUS ELBOW AND FLOATING 125/150# ANSI FLANGE



# DME INCORPORATED

**STYLE 68 - FLANGED OFFSET TUBE**

EXHAUST OFFSET TUBE ASSEMBLY FACTORY WELDED WITH FIXED BY FIXED 125/150# ANSI FLANGE



**NOTES:** See Page 48 for Tube Wall Thickness.  
T-316 Stainless Steel Available



# ADAPTERS

901T - TUBE X SLOTTED CUFF (TUBE)  
901P - TUBE X SLOTTED CUFF (PIPE)



902 - MALE NPT X SLOTTED CUFF (TUBE)



903 - MALE NPT X FLANGE



904 - MALE NPT X TUBE



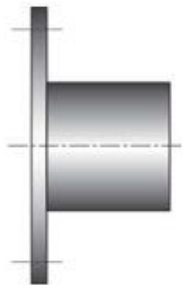
905 - FLANGE X SLOTTED CUFF (PIPE AND TUBE SIZE)



906 - SLOTTED CUFF X SLOTTED CUFF (PIPE & TUBE)



907 - FLANGE X TUBE



908 - PIPE WELD END X TUBE



# DME INCORPORATED

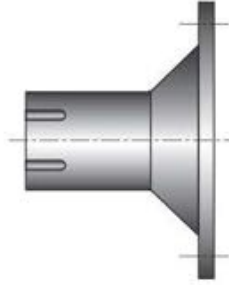
**909 - FLANGE X TUBE END**

TUBE WITH CONE TRANSITION ONE END  
125/150# ANSI FIXED FLANGE OTHER END.



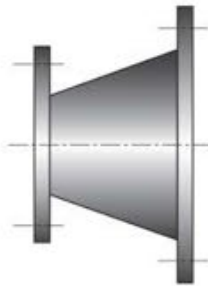
**910 - FLANGE X SLOTTED CUFF**

SLOTTED CUFF WITH CONE TRANSITION ONE END  
125/150# ANSI FIXED FLANGE OTHER END.



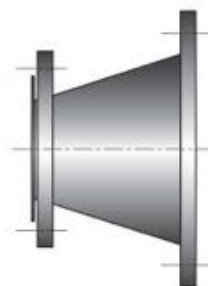
**911 - FIXED FLANGE X CONE X FIXED FLANGE**

125/150# ANSI FIXED FLANGE  
CONE TRANSITION  
125/150# ANSI FIXED FLANGE (LARGER)



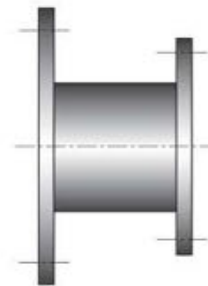
**912 - FLOATING FLANGE X CONE X FIXED FLANGE**

125/150# ANSI FLOATING FLANGE  
CONE TRANSITION  
125/150# ANSI FIXED FLANGE (LARGER)



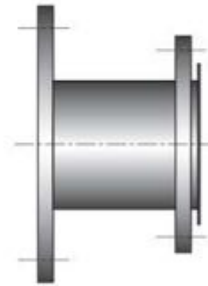
**913 - FLANGE X INCREASING FLANGE**

125/150# ANSI FIXED FLANGE  
TUBE / ROLLED CYLINDER  
125/150# ANSI FIXED FLANGE (LARGER)



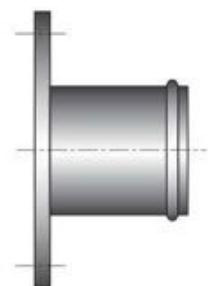
**914 - FLOATING FLANGE X INCREASING FLANGE**

125/150# ANSI FLOATING FLANGE  
TUBE / ROLLED CYLINDER  
125/150# ANSI FIXED FLANGE (LARGER)



**915 - FLANGE X BEADED TUBE**

125/150# ANSI FIXED FLANGE ONE END  
A 36 CARBON STEEL BEADED TUBE OTHER END



**916 - BEADED TUBE X MALE NPT**

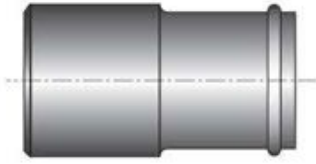
A 36 CARBON STEEL BEADED TUBE ONE END  
CARBON STEEL MALE NPT OTHER END



# ADAPTERS / WYE COLLECTOR

## 917 - BEADED TUBE X WELD END

A 36 CARBON STEEL BEADED TUBE ONE END  
CARBON STEEL BEVELED SHED. 40 PIPE OTHER END.



## 918 - BEADED TUBE X FEMALE NPT

A 36 CARBON STEEL BEADED TUBE ONE END  
CARBON STEEL FEMALE NPT OTHER END



## TYPE 919 - FLANGED ELBOW EACH ENDS

90 DEGREE SHORT RADIUS ELBOW WITH 150# DRILLED ANSI FIXED  
FLANGES



## TYPE 921 - FLANGED ELBOW EACH ENDS

90 DEGREE SHORT RADIUS ELBOW WITH 150# DRILLED ANSI FLOATING  
FLANGES

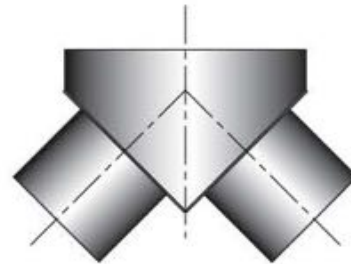


## 923 - FLANGED ELBOW X SLOTTED CUFF (TUBE)

125/150# ANSI FIXED FLANGE  
90 DEGREE TUBE ELBOW  
SLOTTED TUBE CUFF



## 924 - WYE COLLECTOR



## 925 - TRUE WYE COLLECTOR



## 926T - VANSTONE FLANGES (TUBE SIZE)

125-150# ANSI FLANGE, 1/2" THK. PER B16.5 SPECS.  
T-321 STAINLESS STEEL TUBE SIZE VANSTONE STUB



# DME INCORPORATED

# S/S BRAIDED METAL HOSE SPECIFICATIONS

## BUTT WELDED ANNULAR CORRUGATED HOSE - SINGLE BRAID

Nominal Hose I.D. In Inches	Product Part Number	Approx. Weight Per Ft.*	Nominal Hose O.D. In Inches	Braid Layers	Minimum Centerline Bend Radius In Inches		Max. ** Working Pressure @ 70°F	Max. Test Pressure @ 70°F	Nominal Burst Pressure @ 70°F
					Dynamic	Static			
1/4"	DMH0025-21	0.17	0.57	1	5.00	1.00	2,116	3,844	10,250
3/8"	DMH0038-21	0.25	0.74	1	5.50	1.25	1,501	2,251	6,004
1/2"	DMH0050-21	0.34	0.89	1	6.00	1.50	1,075	1,613	4,301
3/4"	DMH0075-21	0.59	1.28	1	8.00	2.25	792	1,188	3,168
1"	DMH0100-21	0.75	1.58	1	9.00	2.75	571	857	2,285
1-1/4"	DMH0125-21	1.07	1.93	1	10.50	3.50	531	797	2,125
1-1/2"	DMH0150-21	1.23	2.28	1	12.00	4.00	472	708	1,887
2"	DMH0200-21	1.73	2.61	1	15.00	5.00	518	778	2,074
2-1/2"	DMH0250-21	1.86	3.33	1	20.00	8.00	387	581	1,548
3"	DMH0300-21	2.00	3.88	1	22.00	9.00	316	474	1,264
4"	DMH0400-21	2.68	4.98	1	27.00	13.00	232	348	927
5"	DMH0500-21	2.60	6.03	1	31.00	18.00	191	286	764
6"	DMH0600-21	4.75	7.10	1	36.00	19.00	150	225	600
8"	DMH0800-21	9.44	9.19	1	33.50	29.50	234	350	934
10"	DMH1000-21	12.90	11.32	1	37.50	33.50	230	344	918
12"	DMH1200-21	14.83	13.37	1	55.50	47.50	161	241	643

\* Weight per foot will vary according to Material Type, Metal Thickness, and Convolution Count.

- Braid is T-304 Stainless Steel.
- Metal Hose is T-321 Stainless Steel.
- Special High Pressure Hose is Available Upon Request.
- For T-316L Stainless Steel Hose, Add "E" at the End of the Part Number.
- All Braided Hose Assemblies are Pressure Tested to insure a Leak Tight Installation.

### TEMPERATURE CORRECTION FACTORS

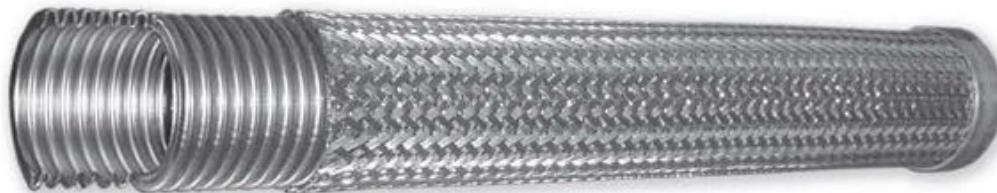
Temperature In Degrees F.	Material				
	Bronze	Steel	Monel	304 Stainless	321 / 316 ELC Stainless
ROOM TEMP.	1.00	1.00	1.00	1.00	1.00
150	0.92	0.99	0.93	0.96	0.97
200	0.89	0.97	0.90	0.92	0.94
250	0.86	0.96	0.87	0.91	0.92
300	0.83	0.93	0.83	0.86	0.88
350	0.81	0.91	0.82	0.85	0.86
400	0.78	0.87	0.79	0.82	0.83
450	0.75	0.86	0.77	0.80	0.81
500		0.81	0.73	0.77	0.78
600		0.74	0.72	0.73	0.74
700		0.66	0.71	0.69	0.70
800		0.52	0.70	0.64	0.66
900		0.50		0.58	0.62
1000					0.60
1100					0.58
1200					0.55

NOTE:

\*\* The pressure ratings shown are for the braided hose only. The Assemblies in this catalog have been rated according to the fitting pressure rating at 500°F.

### TEMPERATURE CORRECTION FACTORS FOR ELEVATED TEMPERATURE APPLICATIONS

As the service temperature increases, the maximum pressure a hose assembly can withstand decreases. The material from which the hose is made and the method of fitting attachment determines the maximum pressure at which an assembly can be used. By using the factors given in this chart, the approximate safe working pressure at the elevated temperature can be calculated.

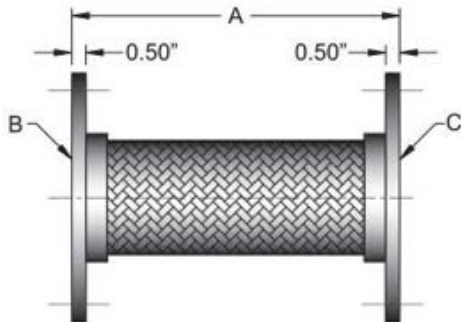


# DME INCORPORATED

# S/S BRAIDED FLEXIBLE METAL HOSE

## TYPE 500 - LOW PRESSURE FIXED FLANGES EACH ENDS

125/150# A 36 CARBON STEEL FIXED FLANGE EACH ENDS  
T-321 STAINLESS STEEL BRAIDED METAL HOSE

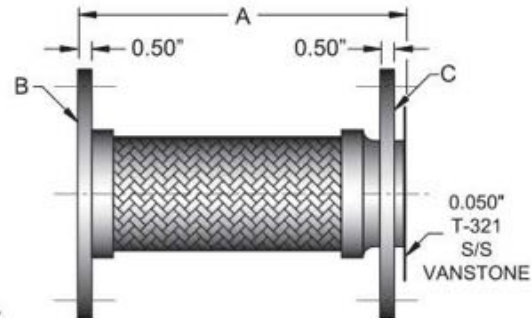


NOTE: See Page 31 For Flange Specifications.

SIZE	A	FLG. SIZE B	FLG. SIZE C	PART NUMBER	MAXIMUM PRESSURE @ 500°F
2"	10.00	2"	2"	500-0200-10	150
2"	10.00	2"	2-1/2"	500-0200-2.50-10	150
2-1/2"	12.00	2-1/2"	2-1/2"	500-0250-12	110
2-1/2"	12.00	2-1/2"	3"	500-0250-3-12	110
3"	12.00	3"	3"	500-0300-12	90
3"	12.00	3"	4"	500-0300-4-12	90
4"	16.00	4"	4"	500-0400-16	80
4"	16.00	4"	5"	500-0400-5-16	80
5"	16.00	5"	5"	500-0500-16	60
5"	16.00	5"	6"	500-0500-6-16	60
6"	16.00	6"	6"	500-0600-16	50
6"	18.00	6"	8"	500-0600-8-18	50

## TYPE 501 - LOW PRESSURE FIXED FLANGE X FLOATING FLANGE

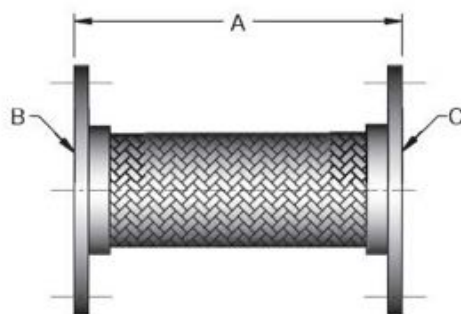
125/150# A 36 CARBON STEEL FIXED FLANGE ONE END  
125/150# A 36 CARBON STEEL FLOATING FLANGE OTHER END  
T-321 STAINLESS STEEL BRAIDED METAL HOSE



SIZE	A	FLG. SIZE B	FLG. SIZE C	PART NUMBER	MAXIMUM PRESSURE @ 500°F
2"	10.00	2"	2"	501-0200-10	150
2"	10.00	2"	2-1/2"	501-0200-2.50-10	150
2-1/2"	12.00	2-1/2"	2-1/2"	501-0250-12	110
2-1/2"	12.00	2-1/2"	3"	501-0250-3-12	110
3"	12.00	3"	3"	501-0300-12	90
3"	12.00	3"	4"	501-0300-4-12	90
4"	16.00	4"	4"	501-0400-16	80
4"	16.00	4"	5"	501-0400-5-16	80
5"	16.00	5"	5"	501-0500-16	60
5"	16.00	5"	6"	501-0500-6-16	60
6"	18.00	6"	6"	501-0600-18	50
6"	18.00	6"	8"	501-0600-8-18	50

## TYPE 502 - HIGH PRESSURE FIXED FLANGES EACH ENDS

125/150# A 36 CARBON STEEL FIXED FLANGE EACH ENDS  
T-321 STAINLESS STEEL BRAIDED METAL HOSE

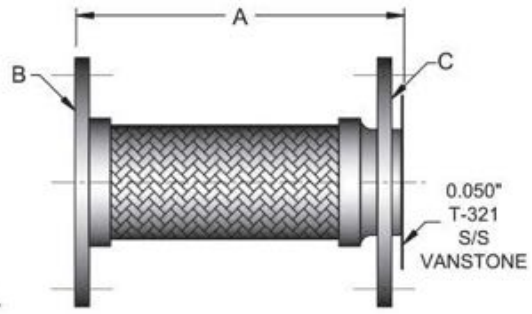


NOTE: See Page 32 For Flange Specifications.

SIZE	A	FLG. SIZE B	FLG. SIZE C	PART NUMBER	MAXIMUM PRESSURE @ 500°F
2"	10.00	2"	2"	502-0200-10	518
2"	10.00	2"	2-1/2"	502-0200-2.50-10	400
2-1/2"	12.00	2-1/2"	2-1/2"	502-0250-12	387
2-1/2"	12.00	2-1/2"	3"	502-0250-3-12	175
3"	12.00	3"	3"	502-0300-12	175
3"	12.00	3"	4"	502-0300-4-12	175
4"	16.00	4"	4"	502-0400-16	191
4"	16.00	4"	5"	502-0400-5-16	191
5"	16.00	5"	5"	502-0500-16	191
5"	16.00	5"	6"	502-0500-6-16	160
6"	16.00	6"	6"	502-0600-16	160
6"	18.00	6"	8"	502-0600-8-18	160

## TYPE 503 - HIGH PRESSURE FIXED FLANGE X FLOATING FLANGE

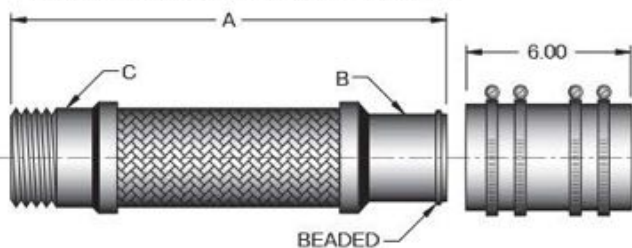
125/150# A 36 CARBON STEEL FIXED FLANGE ONE END  
125/150# A 36 CARBON STEEL FLOATING FLANGE OTHER END  
T-321 STAINLESS STEEL BRAIDED METAL HOSE



SIZE	A	FLG. SIZE B	FLG. SIZE C	PART NUMBER	MAXIMUM PRESSURE @ 500°F
2"	10.00	2"	2"	503-0200-10	518
2"	10.00	2"	2-1/2"	503-0200-2.50-10	400
2-1/2"	12.00	2-1/2"	2-1/2"	503-0250-12	387
2-1/2"	12.00	2-1/2"	3"	503-0250-3-12	175
3"	12.00	3"	3"	503-0300-12	175
3"	12.00	3"	4"	503-0300-4-12	175
4"	16.00	4"	4"	503-0400-16	191
4"	16.00	4"	5"	503-0400-5-16	191
5"	16.00	5"	5"	503-0500-16	191
5"	16.00	5"	6"	503-0500-6-16	160
6"	18.00	6"	6"	503-0600-18	160
6"	18.00	6"	8"	503-0600-8-18	160

**TYPE 504 - MALE NPT X BEADED TUBE**

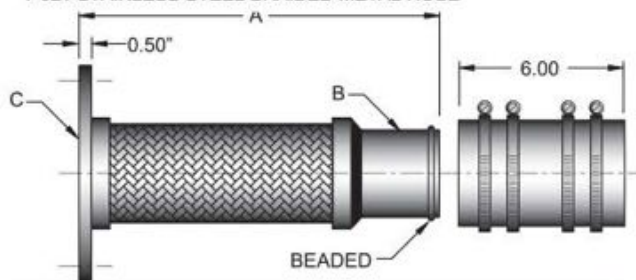
A 53-E GR. B CARBON STEEL MALE NPT THREAD  
C/S BEADED TUBE W/ HIGH TEMP RUBBER HOSE & S/S CLAMPS  
T-321 STAINLESS STEEL BRAIDED METAL HOSE



HOSE SIZE	A	TUBE SIZE B	NPT SIZE C	PART NUMBER	MAXIMUM PRESSURE @ 200°F
2"	14.00	2"	2"	504-0200-14	68
2-1/2"	14.00	2-1/4"	2-1/2"	504-0225-2.50-14	58
2-1/2"	14.00	2-1/2"	2-1/2"	504-0250-14	53
2-1/2"	14.00	2-1/2"	3"	504-0250-3-14	53
3"	15.00	3"	3"	504-0300-15	46
3"	15.00	3"	4"	504-0300-4-15	46
4"	18.00	3-1/2"	4"	504-0350-4-18	40
4"	18.00	4"	4"	504-0400-18	35

**TYPE 506 - FIXED FLANGE X BEADED TUBE**

125/150# A 36 CARBON STEEL FIXED FLANGE  
C/S BEADED TUBE W/ HIGH TEMP RUBBER HOSE & S/S CLAMPS  
T-321 STAINLESS STEEL BRAIDED METAL HOSE



HOSE SIZE	A	TUBE SIZE B	FLG. SIZE C	PART NUMBER	MAXIMUM PRESSURE @ 200°F
2"	12.00	2"	2"	506-0200-12	68
2"	12.00	2"	2-1/2"	506-0200-2.50-12	68
2-1/2"	12.00	2-1/4"	2-1/2"	506-0225-2.50-12	58
2-1/2"	12.00	2-1/2"	2-1/2"	506-0250-12	53
2-1/2"	12.00	2-1/2"	3"	506-0250-3-12	53
3"	14.00	3"	3"	506-0300-14	46
3"	14.00	3"	4"	506-0300-4-14	46
4"	15.00	3-1/2"	4"	506-0350-4-15	40
4"	15.00	4"	4"	506-0400-15	35
4"	15.00	4"	5"	506-0400-5-15	35
5"	15.00	5"	5"	506-0500-15	28
5"	15.00	5"	6"	506-0500-6-15	28

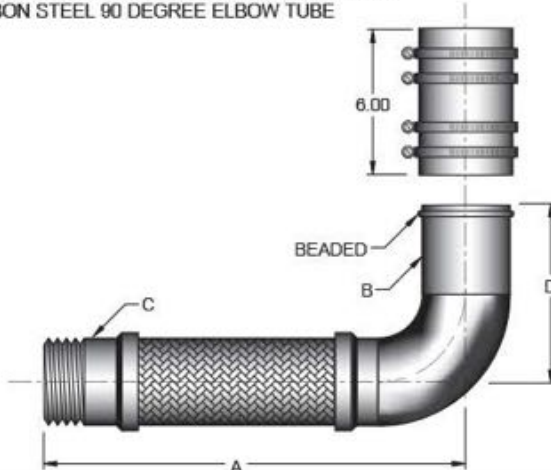
- NOTES:**
- Longer / Shorter Lengths Available.
  - Standard Fittings are Carbon Steel.
  - Stainless Fittings Available.
  - Heavy Duty Flanges Available.

See page 63 for braided stainless steel hose specifications.



**TYPE 505 - MALE NPT X 90° X BEADED TUBE**

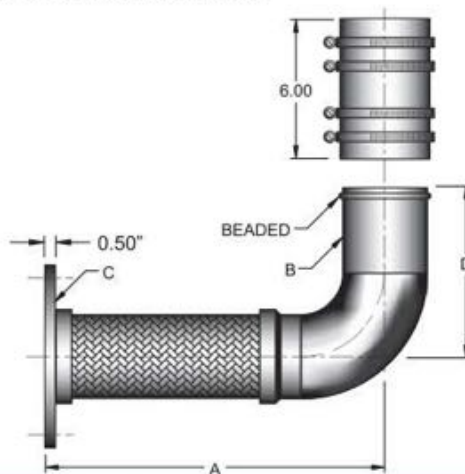
A 53-E GR. B CARBON STEEL MALE NPT THREAD  
C/S BEADED TUBE W/ HIGH TEMP RUBBER HOSE & S/S CLAMPS  
T-321 STAINLESS STEEL BRAIDED METAL HOSE  
CARBON STEEL 90 DEGREE ELBOW TUBE



HOSE SIZE	A	TUBE SIZE B	NPT SIZE C	D	PART NUMBER	MAX. PRESS. @ 200°F
2"	15.00	2"	2"	5.00	505-0200-15	68
2-1/2"	15.00	2-1/4"	2-1/2"	5.50	505-0225-2.50-16	58
2-1/2"	16.00	2-1/2"	2-1/2"	5.50	505-0250-16	53
2-1/2"	16.00	2-1/2"	3"	5.50	505-0250-3-16	53
3"	16.00	3"	3"	6.00	505-0300-19	46
3"	19.00	3"	4"	6.00	505-0300-4-19	46
4"	19.00	3-1/2"	4"	7.00	505-0350-4-19	40
4"	19.00	4"	4"	7.00	505-0400-19	35

**TYPE 507 - FIXED FLANGE X 90° X BEADED TUBE**

125/150# A 36 CARBON STEEL FIXED FLANGE  
C/S BEADED TUBE W/ HIGH TEMP RUBBER HOSE & S/S CLAMPS  
T-321 STAINLESS STEEL BRAIDED METAL HOSE  
CARBON STEEL 90 DEGREE ELBOW TUBE

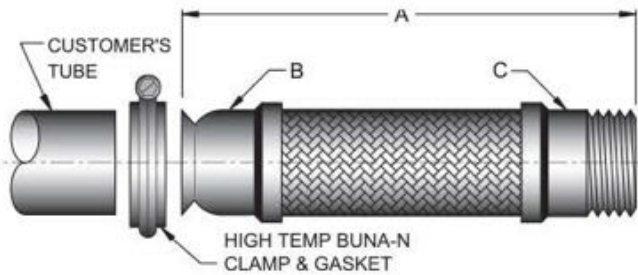


HOSE SIZE	A	TUBE SIZE B	FLANGE SIZE C	D	PART NUMBER	MAX. PRESS. @ 200°F
2"	15.00	2"	2"	5.00	507-0200-15	68
2-1/2"	16.00	2-1/4"	2-1/2"	5.50	507-0225-2.50-16	58
2-1/2"	16.00	2-1/2"	2-1/2"	5.50	507-0250-16	53
2-1/2"	16.00	2-1/2"	3"	5.50	507-0250-3-16	53
3"	19.00	3"	3"	6.00	507-0300-19	46
3"	19.00	3"	4"	6.00	507-0300-4-19	46
4"	19.00	3-1/2"	4"	7.00	507-0350-4-19	40
4"	19.00	4"	4"	7.00	507-0400-19	35
4"	19.00	4"	5"	7.00	507-0400-5-19	35

# S/S BRAIDED FLEXIBLE METAL HOSE

## TYPE 508 - AEROQUIP X MALE NPT

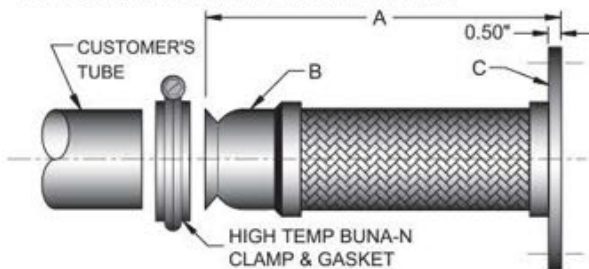
CARBON STEEL TUBE AEROQUIP FLEXMASTER  
A 53-E GR. B CARBON STEEL MALE NPT THREAD  
T-321 STAINLESS STEEL BRAIDED METAL HOSE



HOSE SIZE	AEROQUIP NPT			PART NUMBER	MAXIMUM PRESSURE @ 225°F
	SIZE A	SIZE B	SIZE C		
2"	14.00	2"	2"	508-0200-14	200
2-1/2"	14.00	2-1/4"	2-1/2"	508-0225-2.50-14	150
2-1/2"	14.00	2-1/2"	2-1/2"	508-0250-14	150
2-1/2"	14.00	2-1/2"	3"	508-0250-3-14	150
3"	15.00	3"	3"	508-0300-15	150
4"	18.00	3-1/2"	4"	508-0350-4-18	150
4"	18.00	4"	4"	508-0400-4-18	150

## TYPE 510 - FIXED FLANGE X AEROQUIP

125/150# A 36 CARBON STEEL FIXED FLANGE  
CARBON STEEL TUBE AEROQUIP FLEXMASTER  
T-321 STAINLESS STEEL BRAIDED METAL HOSE



HOSE SIZE	AEROQUIP FLG.			PART NUMBER	MAXIMUM PRESSURE @ 225°F
	SIZE A	SIZE B	SIZE C		
2"	12.00	2"	2"	510-0200-12	150
2-1/2"	12.00	2-1/4"	2-1/2"	510-0225-2.50-12	110
2-1/2"	12.00	2-1/4"	3"	510-0225-3-12	110
2-1/2"	12.00	2-1/2"	2-1/2"	510-0250-12	110
2-1/2"	12.00	2-1/2"	3"	510-0250-3-12	90
3"	14.00	3"	3"	510-0300-14	90
3"	14.00	3"	4"	510-0300-4-14	80
4"	14.00	3-1/2"	4"	510-0350-4-14	80
4"	15.00	4"	4"	510-0400-15	80
4"	15.00	4"	5"	510-0400-5-15	60
5"	15.00	5"	5"	510-0500-15	60
5"	15.00	5"	6"	510-0500-6-15	50

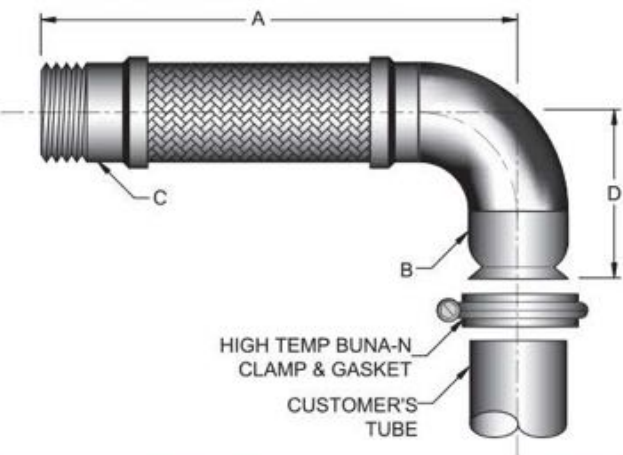
- NOTES:**
- Longer / Shorter Lengths Available.
  - Standard Fittings are Carbon Steel.
  - Stainless Fittings Available.
  - Heavy Duty Flanges Available.
  - Pipe Size Flexmaster Available.

See page 63 for braided stainless steel hose specifications.

Flexmaster joints are designed to seal pipe and tube connections. The Flexmaster joint is not intended to hold piping systems together. Normal hangers, guides, anchors, and other external piping restraints must be used to restrain the piping or tubing system from movement.

## TYPE 509 - AEROQUIP X 90° X MALE NPT

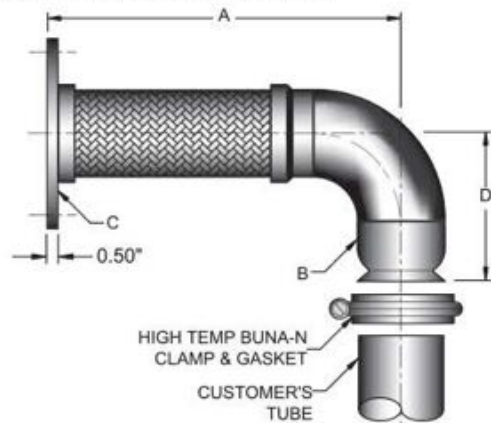
CARBON STEEL TUBE AEROQUIP FLEXMASTER  
A 53-E GR. B CARBON STEEL MALE NPT THREAD  
T-321 STAINLESS STEEL BRAIDED METAL HOSE  
CARBON STEEL 90 DEGREE ELBOW TUBE



HOSE SIZE	AEROQUIP NPT				PART NUMBER	MAX. PRESS. @ 225°F
	SIZE A	SIZE B	SIZE C	D		
2"	15.00	2"	2"	3.13	509-0200-15	150
2-1/2"	16.00	2-1/4"	2-1/2"	3.38	509-0225-2.50-16	110
2-1/2"	16.00	2-1/2"	2-1/2"	3.88	509-0250-16	110
3"	16.00	3"	3"	4.56	509-0300-16	90
4"	18.00	3-1/2"	4"	5.75	509-0350-4-18	80
4"	18.00	4"	4"	6.25	509-0400-18	80
5"	18.00	5"	5"	7.75	509-0500-18	60

## TYPE 511 - FIXED FLANGE X 90° X AEROQUIP

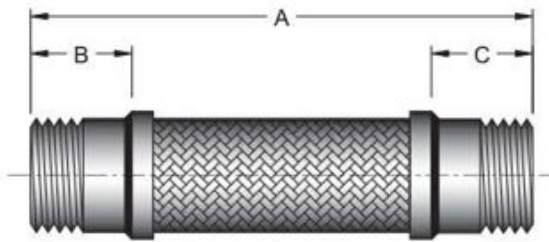
125/150# A 36 CARBON STEEL FIXED FLANGE  
CARBON STEEL TUBE AEROQUIP FLEXMASTER  
T-321 STAINLESS STEEL BRAIDED METAL HOSE  
CARBON STEEL 90 DEGREE ELBOW TUBE



HOSE SIZE	AEROQUIP FLG.				PART NUMBER	MAX. PRESS. @ 225°F
	SIZE A	SIZE B	SIZE C	D		
2"	13.00	2"	2"	3.13	511-0200-13	150
2"	13.00	2"	2-1/2"	3.13	511-0200-2.50-13	150
2-1/2"	14.00	2-1/4"	2-1/2"	3.88	511-0225-2.50-14	110
2-1/2"	14.00	2-1/2"	2-1/2"	3.88	511-0250-14	110
2-1/2"	14.00	2-1/2"	3"	3.88	511-0250-3-14	90
3"	15.00	3"	3"	4.56	511-0300-15	90
3"	15.00	3"	4"	4.56	511-0300-4-15	80
4"	16.00	3-1/2"	4"	6.25	511-0350-4-16	80
4"	16.00	4"	4"	6.25	511-0400-16	80
4"	16.00	4"	5"	6.25	511-0400-5-16	60
5"	18.00	5"	5"	7.75	511-0500-18	60
5"	18.00	5"	6"	7.75	511-0500-6-18	50

## TYPE 512 - MALE NPT X MALE NPT

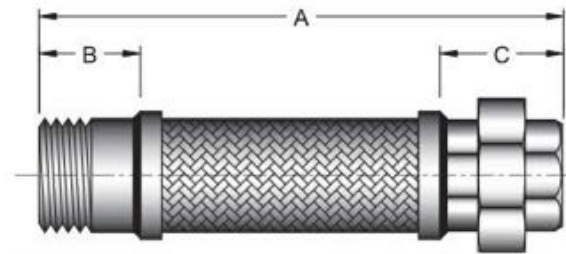
A 53-E GR. B CARBON STEEL MALE NPT THREAD EACH END  
T-321 STAINLESS STEEL BRAIDED METAL HOSE



SIZE	A	B	C	PART NO.	MAX PRESS. @ 500°F
1/4"	10.00	1.50	1.50	512-0025-10	2,116
3/8"	10.00	1.50	1.50	512-0038-10	1,501
1/2"	10.00	1.50	1.50	512-0050-10	1,075
3/4"	11.00	2.00	2.00	512-0075-11	792
1"	12.00	2.00	2.00	512-0100-12	571
1-1/4"	13.00	2.00	2.00	512-0125-13	531
1-1/2"	14.00	2.00	2.00	512-0150-14	472
2"	15.00	2.50	2.50	512-0200-15	518
2-1/2"	18.00	3.00	3.00	512-0250-18	387
3"	18.00	3.00	3.00	512-0300-18	316
3-1/2"	20.00	4.00	4.00	512-0350-20	232
4"	20.00	4.00	4.00	512-0400-20	232
5"	20.00	4.00	4.00	512-0500-20	191
6"	20.00	4.00	4.00	512-0500-20	150

## TYPE 513 - MALE NPT X FEMALE UNION

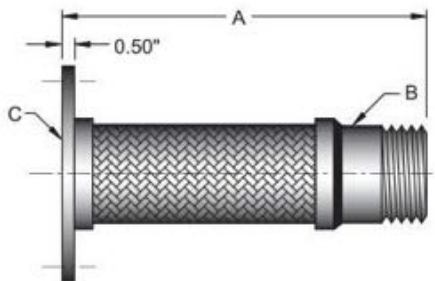
A 53-E GR. B CARBON STEEL MALE NPT THREAD  
CARBON STEEL FEMALE UNION 150#  
T-321 STAINLESS STEEL BRAIDED METAL HOSE



SIZE	A	B	C	PART NO.	MAX PRESS. @ 500°F
1/4"	10.00	1.50	1.50	513-0025-10	150
3/8"	10.00	1.50	1.75	513-0038-10	150
1/2"	10.00	1.50	2.00	513-0050-10	150
3/4"	11.00	2.00	2.00	513-0075-11	150
1"	12.00	2.00	2.50	513-0100-12	150
1-1/4"	13.00	2.00	2.63	513-0125-13	150
1-1/2"	14.00	2.00	2.75	513-0150-14	150
2"	15.00	2.50	3.00	513-0200-15	150
2-1/2"	18.00	3.00	3.38	513-0250-18	150
3"	18.00	3.00	4.00	513-0300-18	150
4"	20.00	4.00	4.50	513-0400-20	150

## TYPE 514 - MALE NPT THREAD X FIXED FLANGE

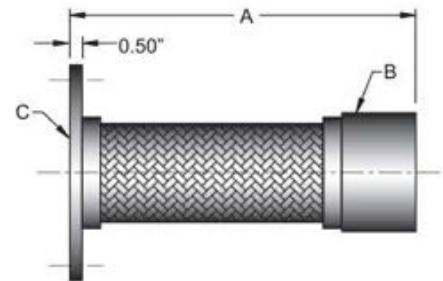
A 53-E GR. B CARBON STEEL MALE NPT THREAD  
125/150# A 36 CARBON STEEL FIXED FLANGE EACH END  
T-321 STAINLESS STEEL BRAIDED METAL HOSE



SIZE	A	MIP SIZE B	FLG. SIZE C	PART NUMBER	MAXIMUM PRESSURE @ 500°F
2"	10.00	2"	2"	514-0200-10	150
2"	10.00	2"	3"	514-0200-3-10	90
2-1/2"	12.00	2-1/2"	2-1/2"	514-0250-12	110
2-1/2"	12.00	2-1/2"	3"	514-0250-3-12	90
3"	12.00	3"	3"	514-0300-12	90
3"	12.00	3"	4"	514-0300-4-12	80
4"	16.00	4"	4"	514-0400-16	80
4"	16.00	4"	5"	514-0400-5-16	60
5"	16.00	5"	5"	514-0500-16	60
5"	16.00	5"	6"	514-0500-6-16	50
6"	16.00	6"	6"	514-0600-16	50
6"	18.00	6"	8"	514-0600-8-18	45

## TYPE 515 - FEMALE NPT COUPLING X FIXED FLANGE

A 105 CARBON STEEL FEMALE NPT COUPLING  
125/150# A 36 CARBON STEEL FIXED FLANGE  
T-321 STAINLESS STEEL BRAIDED METAL HOSE



SIZE	A	FIP SIZE B	FLG. SIZE C	PART NUMBER	MAXIMUM PRESSURE @ 500°F
2"	10.00	2"	2"	515-0200-10	150
2"	10.00	2"	3"	515-0200-3-10	90
2-1/2"	12.00	2-1/2"	2-1/2"	515-0250-12	110
2-1/2"	12.00	2-1/2"	3"	515-0250-3-12	90
3"	12.00	3"	3"	515-0300-12	90
3"	12.00	3"	4"	515-0300-4-12	80
4"	16.00	4"	4"	515-0400-16	80
4"	16.00	4"	5"	515-0400-5-16	60
5"	16.00	5"	5"	515-0500-16	60
5"	16.00	5"	6"	515-0500-6-16	50
6"	16.00	6"	6"	515-0600-16	50
6"	18.00	6"	8"	515-0600-8-18	45

### NOTES:

- Longer / Shorter Lengths Available.
- Standard Fittings are Carbon Steel.
- Stainless Fittings Available.
- Heavy Duty Flanges Available.

See page 63 for braided stainless steel hose specifications.

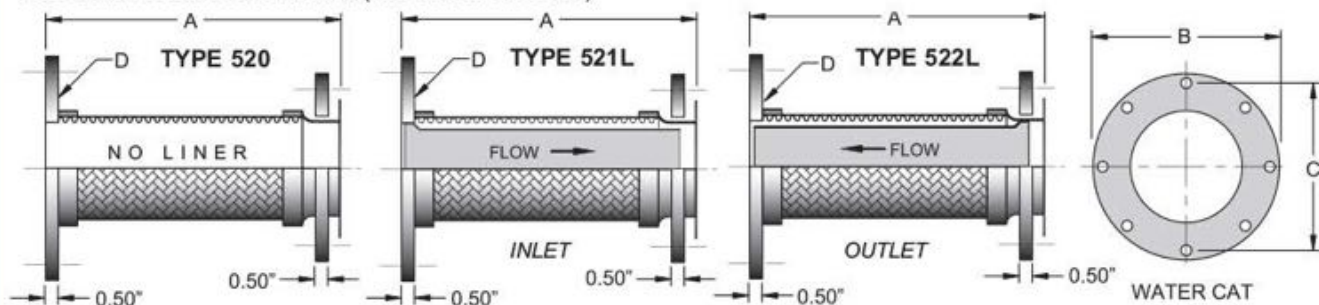




# CAT FLEXIBLE METAL HOSE ASSEMBLIES

## TYPE 520, TYPE 521L & TYPE 522L - FLOATING CAT FLANGE X FIXED LOW PRESSURE ASA FLANGE

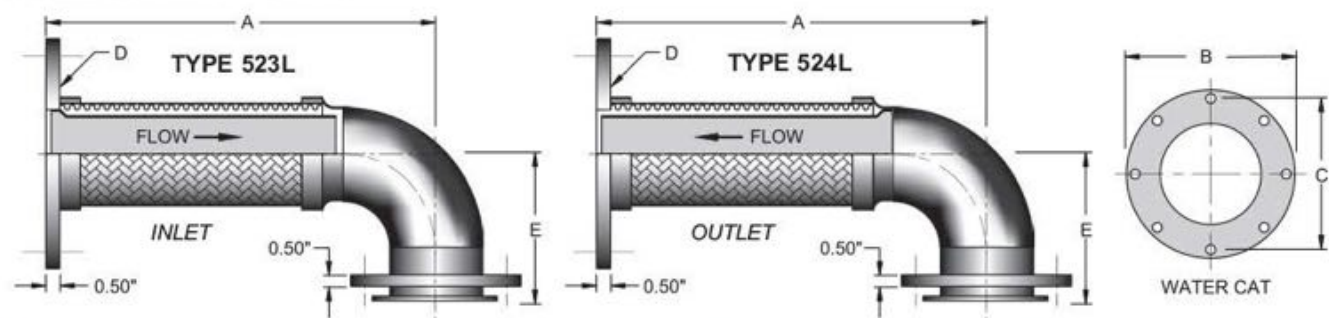
125/150# A 36 CARBON STEEL FIXED FLANGE, CAT 3500 AFTERCOOLER WATER INLET/OUTLET, A 36 CARBON STEEL FLOATING FLANGE, T-321 STAINLESS STEEL FLOW LINER (TYPE 521L & TYPE 522L)



HOSE SIZE	A	B	C	CAT NO. OF HOLES	CAT HOLE DIA.	ASA FLG SIZE D	TYPE 520 PART NUMBER	MAX. PRESSURE @ 500°F	TYPE 521L PART NUMBER	MAX. PRESSURE @ 500°F	TYPE 522L PART NUMBER	MAX. PRESSURE @ 500°F
3"	12.00	5.94	4.92	4	0.56	3"	520-0300-12	90	521-0300-12L	90	522-0300-12L	90
3"	12.00	5.94	4.92	4	0.56	4"	520-0300-4-12	90	521-0300-4-12L	90	522-0300-4-12L	90
5"	16.00	7.64	6.88	8	0.44	5"	520-0500-16	60	521-0500-16L	60	522-0500-16L	60
5"	16.00	7.64	6.88	8	0.44	6"	520-0500-6-16	60	521-0500-6-16L	60	522-0500-6-16L	60
6"	16.00	8.86	7.87	8	0.44	6"	520-0600-16	60	521-0600-16L	60	522-0600-16L	60

## TYPE 523L & TYPE 524L - FLOATING CAT FLG. X 90° X FIXED ASA FLG. WITH FLOW LINER

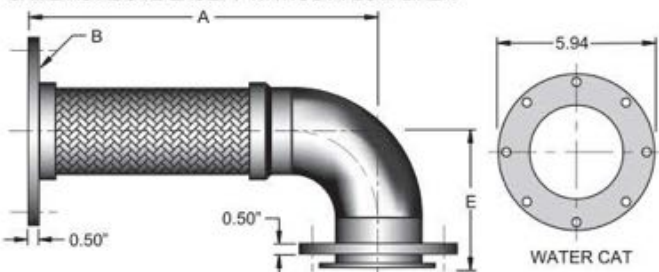
125/150# A 36 CARBON STEEL FIXED FLANGE, CAT 3500 AFTERCOOLER WATER INLET/OUTLET, A 36 CARBON STEEL FLOATING FLANGE ON 90 DEGREE ELBOW, T-321 STAINLESS STEEL FLOW LINER



HOSE SIZE	A	B	C	CAT NO. OF HOLES	CAT HOLE DIA.	ASA FLG SIZE D	E	TYPE 523L PART NUMBER	MAX. PRESSURE @ 500°F	TYPE 524L PART NUMBER	MAX. PRESSURE @ 500°F
3"	15.00	5.94	4.92	4	0.56	3"	5.00	523-0300-15L	90	524-0300-15L	90
3"	15.00	5.94	4.92	4	0.56	4"	5.00	523-0300-4-15L	90	524-0300-4-15L	90
5"	21.00	7.64	6.88	8	0.44	5"	8.00	523-0500-21L	60	524-0500-21L	60
5"	21.00	7.64	6.88	8	0.44	6"	8.00	523-0500-6-21L	60	524-0500-6-21L	60
6"	21.00	8.86	7.87	8	0.44	6"	8.00	523-0600-21L	60	524-0600-21L	60

## TYPE 525 - FLOATING CAT FLG. X 90° X FIXED ASA FLG.

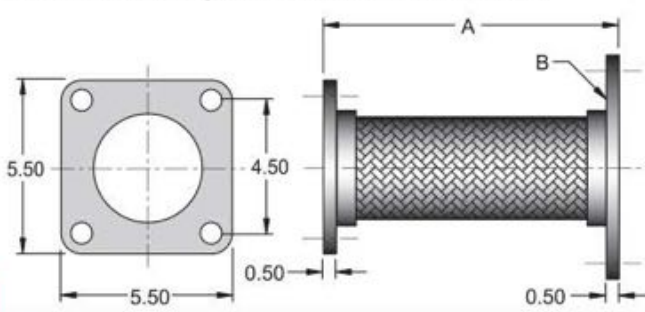
SAME AS ABOVE EXCEPT WITHOUT FLOW LINER



HOSE SIZE	ASA FLG. SIZE A	CAT NO. OF HOLES B	CAT HOLE DIA.	E	PART NO.	MAX. PRESS. @ 500°F	
3"	15.00	3"	4	0.56	5.00	525-0300-15	90
3"	15.00	4"	4	0.56	5.00	525-0300-4-15	90
5"	21.00	5"	8	0.44	8.00	525-0500-21	90
5"	21.00	6"	8	0.44	8.00	525-0500-6-21	90
6"	21.00	6"	8	0.44	8.00	525-0600-21	90

## TYPE 526 - FIXED CAT FLANGE X FIXED ASA FLANGE

125/150# A 36 CARBON STEEL FIXED FLANGE, CAT G 3516 GAS LINE, A 36 CARBON STEEL FIXED FLANGE



HOSE SIZE	ASA FLG. SIZE A	CAT NO. OF HOLES B	CAT HOLE DIA.	PART NO.	MAX. PRESS. @ 500°F	
2"	12.00	2"	4	0.56	526-0200-12	150
2"	12.00	2-1/2"	4	0.56	526-0200-2.50-12	150



**Tel: (888) 4 DME INC**

**Fax: (562) 802-7489**

**Emergency: (562) 202-0082**

**DME Headquarters**

**14001 Marquardt Ave.**

**Santa Fe Springs, CA 90670**

**[info@dmeexpansionjoints.com](mailto:info@dmeexpansionjoints.com)**

**Distributed By:**

**Contact DME today to find  
your local representative**

**[info@dmeexpansionjoints.com](mailto:info@dmeexpansionjoints.com)**

